

## Indoor Accessories

### F140 Series Decorative End Plates

#### Application:

For use with Styles F140, F144, F145 or F146 enclosed semi-elliptical T5 fluorescent where ends of luminaire housing are visible. Kit includes one left and one right decorative plate.

#### Construction:

Plate is 1/8" (3mm) thick aluminum and fastens to joiner/reveal plate with concealed hardware – no exposed fasteners.

#### Finish:

Electrostatically applied thermoset powder coat, matte white.

#### Ordering Information:

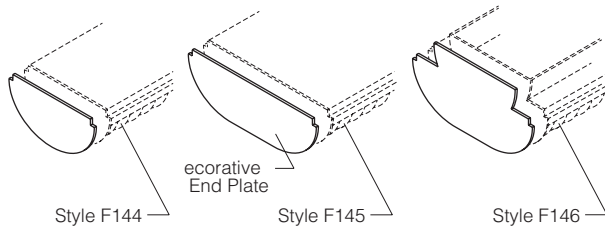
Order one kit for each single unit or for each continuous row.

**ADE40220** = F140 decorative end plates, one pair (m. white)

**ADE44220** = F144 decorative end plates, one pair (m. white)

**ADE45220** = F145 decorative end plates, one pair (m. white)

**ADE46220** = F146 decorative end plates, one pair (m. white)



### TAC Decorative End Plates

#### Application:

For use with TAC Style 110 linear fluorescent where ends of luminaire housing are visible. Kit includes one left and one right decorative plate.

#### Construction:

Each plate is 3/16" (5mm) thick aluminum. Decorative plates fasten to reveal plates at end of luminaire housing with concealed hardware – no exposed fasteners.

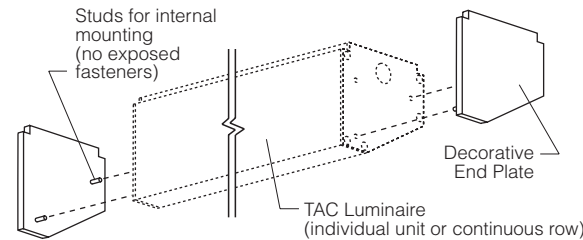
#### Finish:

Electrostatically applied thermoset polyester powder coat, semi-gloss white.

#### Ordering Information:

Order one kit for each single unit or for each continuous row.

**ATDE0020** = TAC Style F110 decorative end plates, one pair



### Ballast Fuse Kit

#### Application:

Although all fluorescent ballasts and many metal halide ballasts (remote encapsulated F-can types) have internal thermal protection, the accessory fuse kit may be specified to provide additional protection of the ballast. External fusing also allows individual ballasts to be disconnected from a circuit, leaving the remaining units operating.

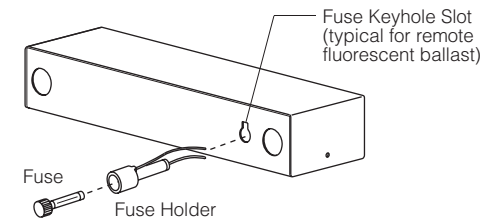
Fuse for remote ballast is mounted through a keyhole slot or knockout in the ballast housing or splice compartment. For integral ballast units, fuse holder is placed in outlet box (by others) or luminaire wiring compartment. Fuses are sized and furnished by the factory for field installation.

#### Ordering Information:

**AFK000X** = Ballast fuse kit

**0** = U.S.

**J** = Canada



### Universal Mounting Brackets

#### Application:

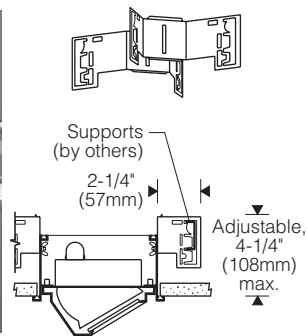
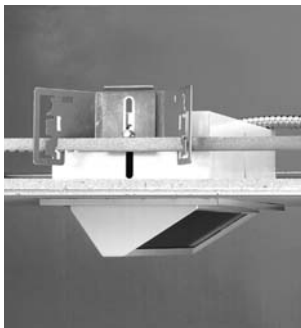
For use with semi-recessed units with extruded aluminum mounting/trim frame in suspended ceilings. Accepts 1/2" EMT, 1-1/2" lathing, C channel or bar hangers (by others).

#### Construction:

Stamped steel. Brackets attach to sides of trim frame. Stainless steel carriage bolts, washers and wing nuts allow for vertical adjustment.

#### Ordering Information:

**ASRBKT00** = Universal mounting brackets, one pair



### Track Shims

#### Application:

Spaces surface mounted track 3/32" away from the ceiling, allowing Universal Track Clamp to wrap around body of track. Unique shape allows shim to be used with any size track.

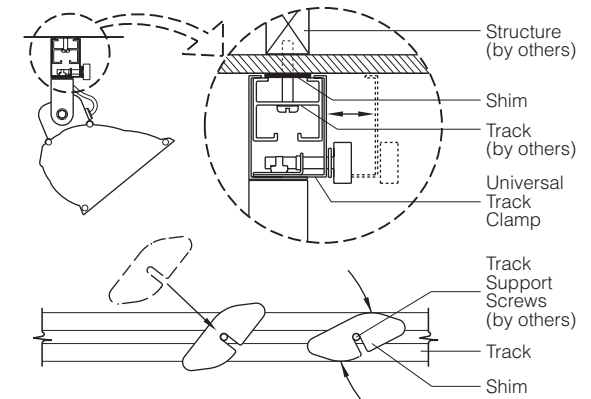
#### Construction / Finish:

Stamped aluminum, semi-gloss black polyester powder coat.

#### Ordering Information:

Order one kit per 8' (2.4m) of track.

**ATKSK020** = Track shim kit, three shims.



**elliptipar**<sup>®</sup>  
there is no equal™

elliptipar from The Lighting Quotient

114 Boston Post Road, West Haven, Connecticut 06516, USA

Voice 203.931.4455 • Fax 203.931.4464 • [thelightingquotient.com](http://thelightingquotient.com)

*Certain products illustrated may be covered by applicable patents and patents pending. These specifications supersede all prior publications and are subject to change without notice. Copyright © 2011 Sylvan R. Shemitz Designs, Inc., all rights reserved.*