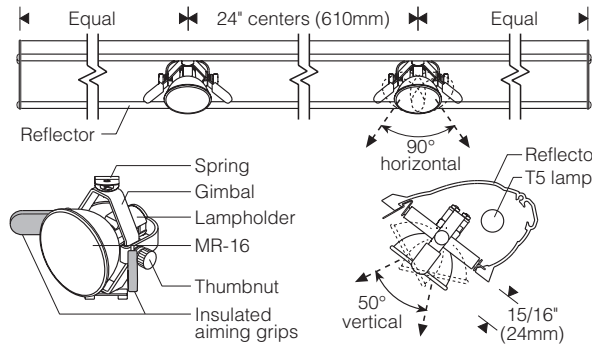


Modular kits and accessories ordered separately.

Modular Accentlights



* **gondolier** accentlight kit lamps – **elliptipar** strongly recommends the use of aluminized reflector type MR-16 lamps (not dichroic reflector type). The opaque coating reduces heat to the rear of the lamp and minimizes “backglow” or stray light that may cause undesired reflections in the fluorescent reflector. 50W maximum.

Patents pending

Application:

Creates sparkle and warm highlights on featured items.

Specifications:

Formed aluminum gimbal rings (2) snap into **gondolier** reflector. Black finish. 100W electronic 12V transformer with auto-reset short circuit/overload protection, fuse on primary; mounts in ballast compartment. For use with 50W lamps with protective cover glass, that are suitable for open fixtures.*

To form a Catalog Number:

AGA 250T **0** = **Modular accentlight kit, 2 lamps**

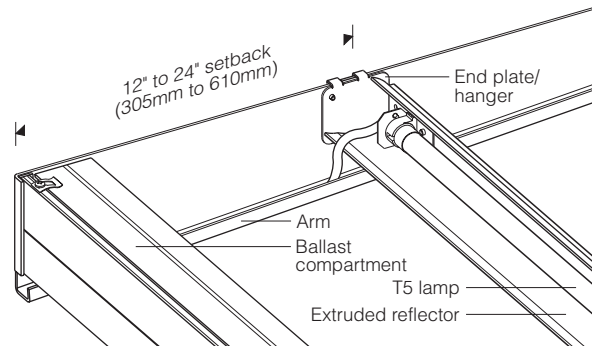
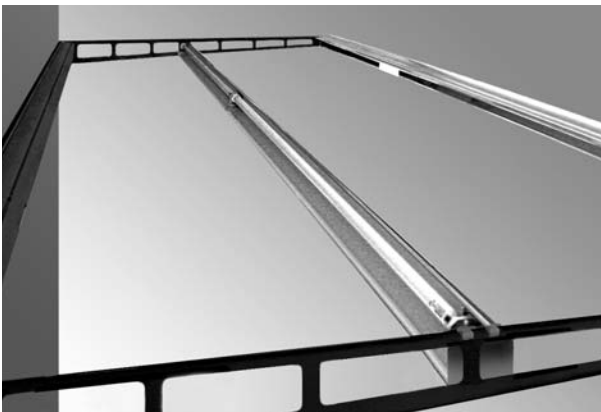
10 Destination Req.: **0** = U.S., **J** = Canada
8 Voltage (input): **1** = 120V, **2** = 277V

250T = For use with (2) 50W MR-16 lamps NOT included. Narrow spot (EXT) aluminized lamps are recommended.*

Note: Fits all reflector lengths. **96" units accommodate 2 kits.**

Example: **AGA250T100** = Modular accentlight kit for (2) 50W MR-16 lamps (not included). 120V (input), UL listed or CSA certified for U.S.

Modular Wall Uplight



Application:

Creates broad wash of light up the wall or signage/graphics above the display; supplements perimeter lighting.

Specifications:

Extruded aluminum reflector with specular finish; exterior painted to match base **gondolier**. Stamped end plates clip onto arms (12" to 24" from back of display). Electronic ballast with end-of-life protection mounts in ballast compartment.

To form a Catalog Number:

AGW = **Modular wall uplight kit,**

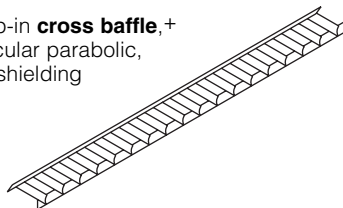
10 Destination Req.: **0** = U.S., **J** = Canada
8 Voltage: **1** = 120V, **2** = 277V
7 Finish: match base finish code
4 Length: **36** = 36", **48** = 48", **72** = 72", **96** = 96"
3 Lamp type: **R** = T5, **S** = T5HO

Example: **AGWS960210** = Modular wall uplight kit, 2 x 54W T5HO lamps, 96", semigloss white, 120V, UL listed or CSA certified for U.S.

Accessories

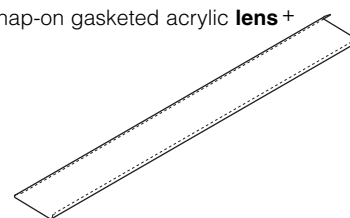
To form a Catalog Number:

ABSG **00** = Snap-in **cross baffle**,+ specular parabolic, 35° shielding
36 = 36" length
48 = 48" length
72 = 72" length
96 = 96" length



ALSG **00** = Snap-on gasketed acrylic **lens** +

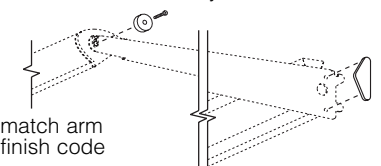
36 = 36" length
48 = 48" length
72 = 72" length
96 = 96" length



+ Not for use in combination with **AGA** modular accentlights.

AGF0 **0** = **Finish end kit.** Order one kit for each row or each individually mounted unit.

D Finish: match arm finish code
0 = Style F500 contoured
2 = Style F501 fluted, F502 smooth



*The external shapes of the asymmetric reflectors are trademarks of **elliptipar**. Certain products illustrated may be covered by applicable patents and patents pending. For a list of patents, see Contents pages. These specifications supersede all prior publications and are subject to change without notice. © 2010 **elliptipar**.*