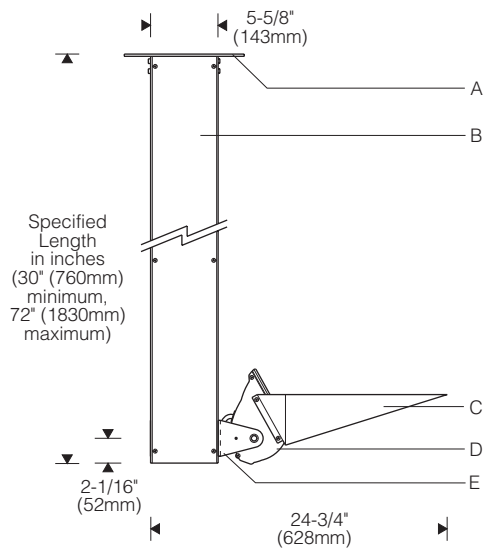
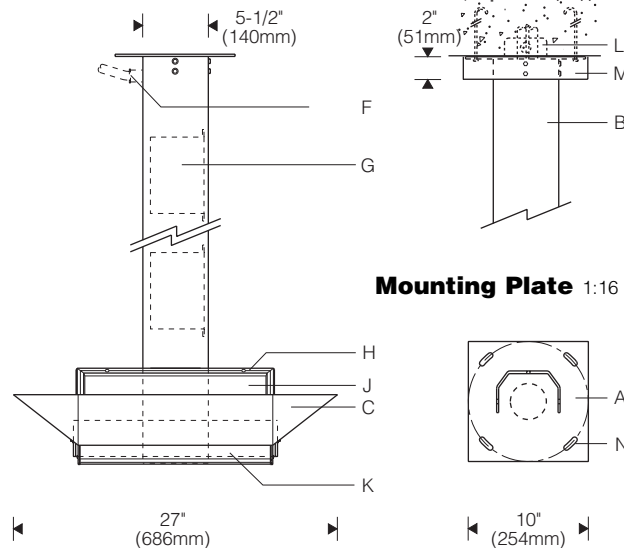


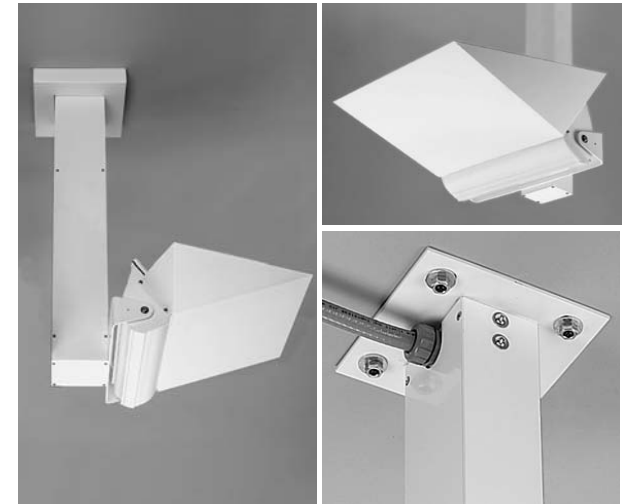
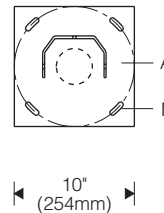
S / T Mount: 1:16 Scale



C Mount: 1:16 Scale



Mounting Plate 1:16 Scale



Specifications

- | | | | |
|-------------------------------------------------------------------------|---------------------------------------------------------|------------------------------------------------------------------------|-----------------------------------------------|
| A Stainless steel mounting plate | D Contoured aluminum end plates | H Mitred extruded aluminum door with silicone gasket | K Specular extruded aluminum reflector |
| B Extruded aluminum stem / ballast housing, aluminum cover plate | E Formed aluminum yoke | J Clear, flat, thermal and impact resistant tempered glass lens | L Anchors and J-box (by others) |
| C Formed aluminum flared cutoff visor | F 7/8" dia. entry (conduit, connector by others) | | M Aluminum canopy |
| | G Integral ballast | | N 10" dia. bolt circle |

Finish:

Exterior surfaces – 6 stage pretreatment and electrostatically applied thermoset polyester powder coating for a durable abrasion, fade and corrosion resistant finish. Choice of semi-gloss colors (see ordering information).

Reflector and internal end plates – extruded high purity aluminum with clear anodized specular finish. All hardware and components – non-corrosive stainless steel or aluminum. Door secured with captive tamper-resistant (#10 Torx) screws in stainless steel threaded reflector inserts to prevent seizing.

Mounting:

S / T mount – stainless steel bolt plate with 7/16" dia. (11mm) slots on 7" (178mm) dia. circle (3/8" anchors by others).

C mount – aluminum canopy conceals bolt plate.

For mounting to underside of sloped decks, specify angle and direction (see ordering information).

Standard:

Suitable for protected outdoor locations such as parking garages and under canopies. Reflector is sealed for wash-down. UL listed or CSA certified for damp locations.

Electrical:

Use 90°C wire for supply connections.

S mount – 7/8" dia. conduit entry in back of stem for use with surface conduit (by others).

T / C mount – 2" dia. access hole for use over recessed junction box (by others).

Cover on back of stem allows access to supply connections and ballast; suitable clearance required. Lamp leads exit reflector through watertight flush cord entry and silicone coated fiberglass sleeving.

210 - 400W metal halide – pulse rated mogul lampholder for use with either horizontal or universal position lamp.

150W – pulse rated G12 base lampholder. End-of-lamp aligner ensures consistent optical performance, minimizes damage from shock or vibration.

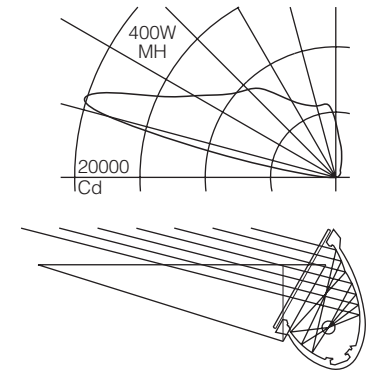
Integral encapsulated HPF ballast rated for -20°F/-29°C starting. 210 - 400W – constant wattage autotransformer; 150W – high reactance autotransformer (electronic ballast optional).

Features

- Superior asymmetric performance – creates broad planes of light eliminating glare, minimizing shadows
- Unique flared visor – shields lamp brightness
- Integral – aluminum stem houses encapsulated ballast
- Flexible installation – level or sloped decks; recessed J-box or surface conduit

Performance

Two parabolic reflector sections drive light across the overhead plane from one edge. An elliptical section redirects its light to a parabola and shields the lamp. Asymmetry is maximized resulting in high beam efficiency and superior surface uniformity. The fast "runback" minimizes wasted spill light. Wide lateral distribution permits greater spacings.



For complete photometrics, see www.elliptipar.com.

elliptipar



