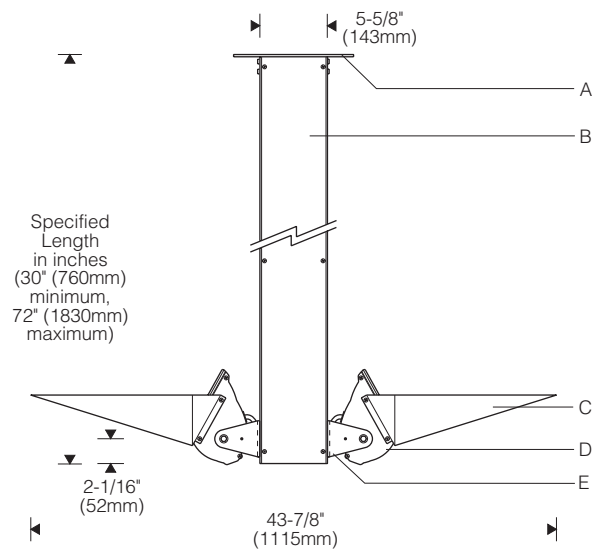
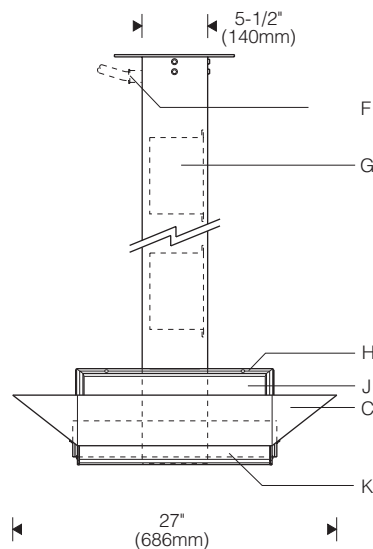


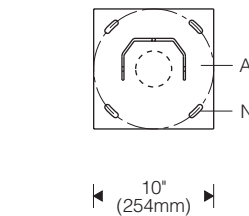
S / T Mount 1:16 Scale



C Mount 1:16 Scale



Mounting Plate 1:16



Specifications

- | | | | |
|---|---|--|---|
| A Stainless steel mounting plate | D Contoured aluminum end plates | H Mitred extruded aluminum door with silicone gasket | K Specular extruded aluminum reflector |
| B Extruded aluminum stem / ballast housing, aluminum cover plate | E Formed aluminum yoke | J Clear, flat, thermal and impact resistant tempered glass lens | L Anchors and J-box (by others) |
| C Formed aluminum flared cutoff visor | F 7/8" dia. entry (conduit, connector by others) | | M Aluminum canopy |
| | G Integral ballasts (2) | | N 10" dia. bolt circle |

Finish:

Exterior surfaces – 6 stage pretreatment and electrostatically applied thermoset polyester powder coating for a durable abrasion, fade and corrosion resistant finish. Choice of semi-gloss colors (see ordering information).

Reflector and internal end plates – extruded high purity aluminum with clear anodized specular finish. All hardware and components – non-corrosive stainless steel or aluminum. Door secured with captive tamper-resistant (#10 Torx) screws in stainless steel threaded reflector inserts to prevent seizing.

Mounting:

S / T mount – stainless steel bolt plate with 7/16" dia. (11mm) slots on 10" (254mm) dia. circle (3/8" anchors by others).

C mount – aluminum canopy conceals bolt plate.

For mounting to underside of sloped decks, specify angle and direction (see ordering information).

Standard:

Suitable for protected outdoor locations such as parking garages and under canopies. Reflectors are sealed for wash-down. UL listed or CSA certified for damp locations.

Electrical:

Use 90°C wire for supply connections.

S mount – 7/8" dia. conduit entry in side of stem for use with surface conduit (by others). **T / C** mount – 2" dia. access hole for use over recessed junction box (by others). Cover on side of stem allows access to supply connections and ballasts. Lamp leads exit reflector through watertight flush cord entry and silicone coated fiberglass sleeving.

Mogul lampholder is pulse rated for use with either horizontal or universal position reduced envelope pulse start lamps. End-of-lamp aligner ensures consistent optical performance, minimizes damage from shock or vibration.

Ballast – integral HPF constant wattage autotransformer (CWA) or electronic each rated for -20°F/-29°C starting.

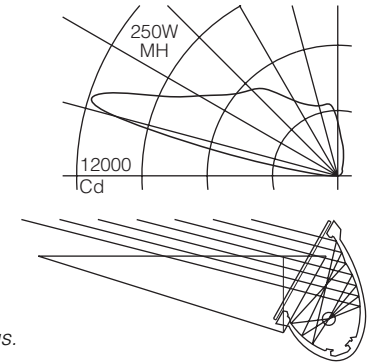
For complete ballast specifications, see Accessories Section.

Features

- Diffuse ambient uplight – no shadows; no glare
- Economical uplighting for adjacent bays
- Unique flared visor – shields lamp brightness yet allows far-reaching forward throw, wide lateral distribution
- Flexible installation – level or sloped decks; recessed J-box or surface conduit

Performance

Two parabolic reflector sections drive light across the overhead plane from one edge. An elliptical section redirects its light to a parabola and shields the lamp. Asymmetry is maximized resulting in high beam efficiency and superior surface uniformity. The fast "runback" minimizes wasted spill light. Wide lateral distribution permits greater spacings.



For complete photometrics, visit thelightingquotient.com



