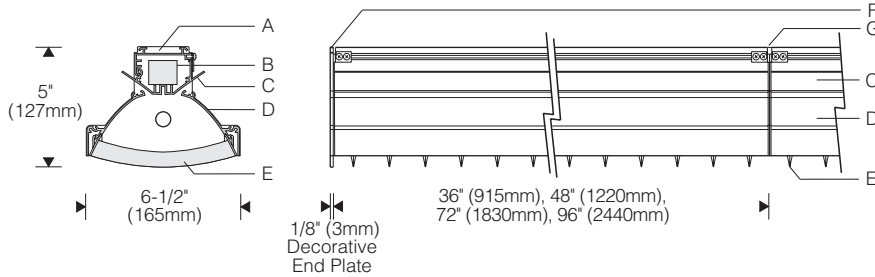
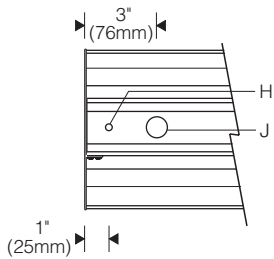


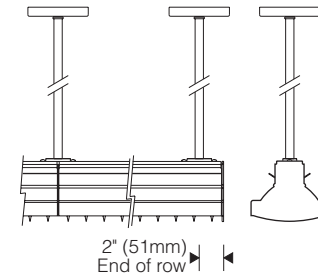
Style 3032 1:8 Scale



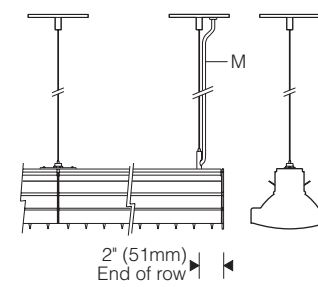
Top View (S mount)



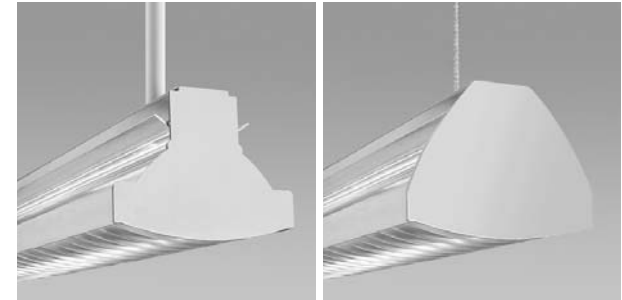
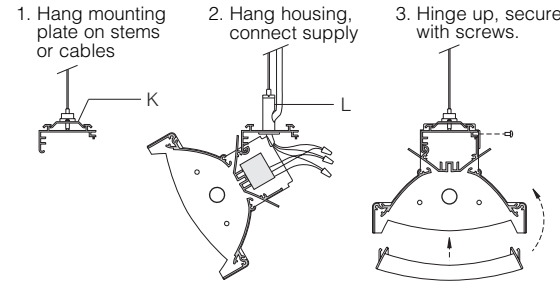
Pendant Stems (X mount)



Cables (X mount)



Installation (X mount - cables shown)



Specifications

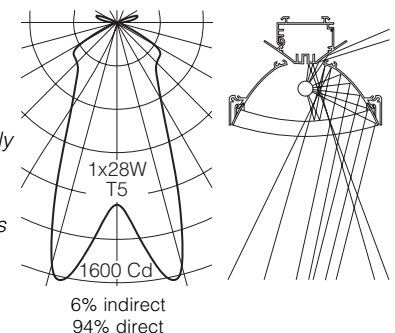
- |   |  |  |   |
|---|--|--|---|
| <b>A</b> Extruded aluminum mounting plate                           | <b>D</b> Specular extruded aluminum reflector housing                                    | <b>F</b> Aluminum decorative end plate (3 profiles – order separately) | <b>J</b> Knockout, (2) 7/8" (22mm) dia. (S mount) |
| <b>B</b> Electronic ballast   | <b>E</b> Snap-in semi-specular parabolic cross-baffle, blades 1-1/2" o.c., 25° shielding | <b>G</b> Aluminum joiner/reveal plates                                 | <b>K</b> Joiner bracket                           |
| <b>C</b> Specular extruded aluminum uplight reflector (6% indirect) |  | <b>H</b> Mounting holes, 9/32" (7mm) dia. (S mount)                    | <b>L</b> Power feed                               |
|   |  |  | <b>M</b> 18/4 cord with cable clips (cable mount) |

Features

- Exceeds IESNA recommended light level – 30fc vertical at 30" AND complies with energy standards with single T5
- Precise extruded reflector – drives light to the bottom shelf
- Specular uplight reflectors – creates soft glow on ceiling over adjacent aisles while maintaining 30fc on shelves
- Innovative variable width cross-baffle – redirects wasted light

Performance

Multiple reflector segments drive light to the lowest shelves. Unique cross-baffle redirects a portion of the lamp energy that otherwise goes directly to the floor back into the main beam while providing lengthwise shielding. The result is high beam efficiency and superior surface uniformity in tall, narrow stacks.



For complete photometrics, visit [thelightingquotient.com](http://thelightingquotient.com)

Finish:

Semi-gloss white or bright clear anodized aluminum housing with semi-gloss white or black reveal plates. White or silver decorative end plates (order separately).  
 Painted surfaces – 6 stage pretreatment and electrostatically applied thermoset powdercoat for stable, long lasting finish.  
 Reflector – extruded high purity aluminum with clear anodized specular finish. All luminaire hardware – stainless steel.  
 Cross-baffle – injection molded high-impact polycarbonate with metalized semi-specular finish.

Mounting:

**X mount** – pendant stems, cables **ordered separately**  
 Pendant stem – 11/16" O.D. aluminum, internally threaded. 5" dia. aluminum canopy.  
 Cable – 1/16" dia. 7x7 aircraft cable, field adjustable length. Crossbar with 1/4-20 stud and 5" dia. canopy.  
**S mount** – mounting plate fastens flush to ceiling. Unit hinges on plate for hands-free access to wiring.  
 For shelf supported bridge or cantilever, consult factory.

Electrical:

Use 90°C wire for supply connections and through wire.  
**X mount** – electrical feed hanger mounts over recessed outlet box (by others) and **must be located at end of row**.  
**S mount** – 7/8" (22mm) dia. knockouts at ends of mounting plate for conduit feed (by others).  
 Housing hinges down for access to ballast and wiring. Optional #12 AWG prewired modular through wiring with quick connectors.  
 Integral electronic HPF thermally protected class P ballast with end-of-life protection.  
 Optional integral emergency battery operates one lamp. Separate unswitched supply is required.  
 Optional integral motion sensor, consult factory.

Standard:

UL listed or CSA certified.



