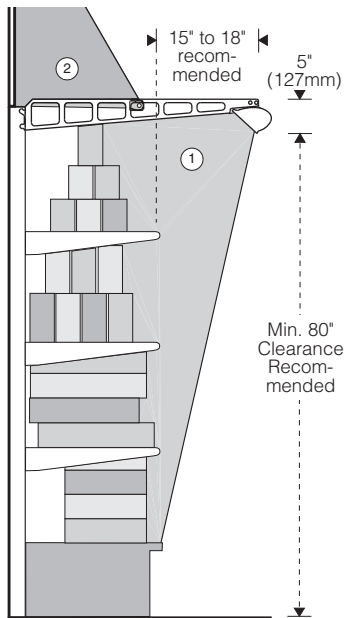
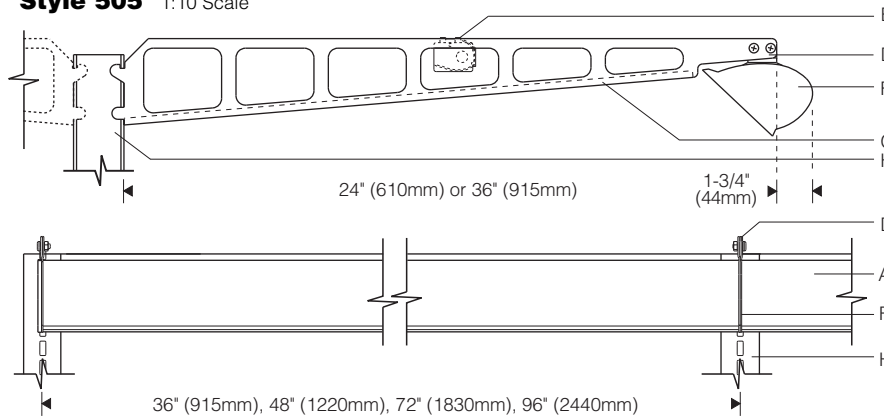


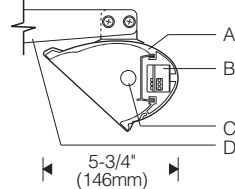
Schematic No scale



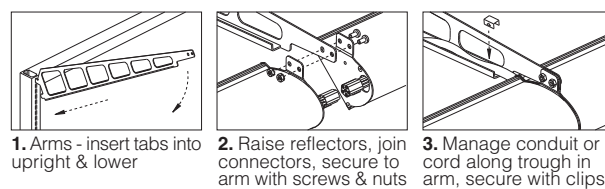
Style 505 1:10 Scale



Section 1:8 Scale



Installation



Specifications

- A** Extruded specular aluminum reflector with preset & locked aiming
- B** Integral electronic ballast/internal wireway
- C** Lamp (T5 shown)
- D** Formed steel slotted style mounting arm
- E** Optional asymmetric wall upright - clips onto mounting arms
- F** Stamped aluminum end plate
- G** Trough along bottom of arm conceals cord or conduit - clips included
- H** Slotted standard shelving upright, (by others)

Finish:

Semi-gloss white, black or silver reflector, end plates and arms. Exterior of optional wall upright is finished to match. RAL and custom colors available, consult factory.

Painted surfaces - 6 stage pretreatment and electrostatically applied thermoset powder coat for stable, long lasting and corrosion resistant finish.

Reflector - extruded high purity aluminum with clear anodized specular finish.

All luminaire hardware - stainless steel.

Mounting:

Arms hook into most slotted standard shelving systems with uprights spaced 36", 48", 72" or 96" on center - Lozier and compatibles (3/4" x 1/4" mounting slots on 1" vertical centers).

Reflectors hang from the arms with end plates secured to the arms with screws and nuts. To form rows, single intermediate arms support adjoining reflectors. Aiming can be adjusted 5°.

Standard arm style is slotted. **For custom arm, modified length or use on other display systems, consult factory.**

Electrical:

Use 90°C wire for supply connections.

6' (1.8m) wire leads in 5' (1.5m) 3/8" flexible conduit exit the end of the wireway of the starter module reflector for connection at adjacent outlet box (by others). Conduit is concealed within trough along bottom edge of mounting arm. Management clips are provided. One feed (starter module) is required per row.

Optional 12' cord with molded-on standard three-prong plug (NEMA 5-15), black (120V only).

Modules are prewired with #12 AWG modular through wiring with quick connectors. When mounted in rows, reflectors are butted end-to-end and connected through the end plates.

Integral electronic HPF thermally protected class P ballast with end-of-life protection. For complete ballast specifications, see Accessories Section.

Standard:

UL listed or CSA certified.

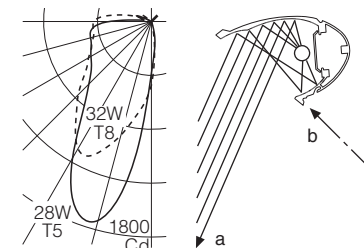
System Features

- The **elliptipar** asymmetric reflector (1) drives light to the bottom shelves - places the focus on the merchandise
- Optional wall upright (2) highlights signage, graphics above
- Modular system fits standard gondola and display lengths
- Arms hook into slotted uprights - choice of lengths
- Integral electronic ballast - through wire row from one feed



Performance

Two parabolic reflector sections drive light to the lowest shelf and merchandise (a). An elliptical section shields the lamp from normal viewing angles (b) and redirects its light to a parabola. Glare is minimized and asymmetry of the beam is maximized resulting in high beam efficiency and superior surface uniformity.



For complete photometrics, see www.elliptipar.com.

To form a Catalog Number

F | 5 | 0 | 5 | - | | | - | | | - | | | - | | |
 1 | 2 | 3 | 4 | 5 | 6 | 7 | 8 | 9

Project: _____

Type: _____

1 Source

F = Linear fluorescent

2 Style

505 = gondolier2 display lighting system medium smooth reflector, integral ballast

3 Lamp Type

R = T5 standard
 S = T5HO high output
 T = T8

4 Length

Length (inches)	Lamp Wattage (Lamp Number)*		
	T5	T5 HO	T8
036	21W (F21T5)	39W (F39T5/HO)	25W (F25T8)
048	28W (F28T5)	54W (F54T5/HO)	32W (F32T8)
072	2x21W (F21T5)	2x39W (F39T5/HO)	2x25W (F25T8)
096	2x28W (F28T5)	2x54W (F54T5/HO)	2x32W (F32T8)

* 3000K, TCLP-compliant T5 / T5HO lamps are included. T8 lamps are not included.

5 Electrical

C = Starter/Individual module with 12' cord and parallel blade u-ground plug
Note: For use with 120V Voltage Code **1** only
H = Starter/Individual module for hardwire connection
 Prewired with 6' of #12 AWG supply wire in 5' of 3/8" flexible metal conduit
T = Intermediate/End of row module
 Prewired with quick connectors to plug into adjacent module in a row

For single installation - order one Starter/Individual module (Electrical Code **C** or **H**).

For row installation - order one Starter/Individual module (Electrical Code **C** or **H**) plus desired quantity of additional Intermediate/End modules (Electrical Code **T**).

6 Finish

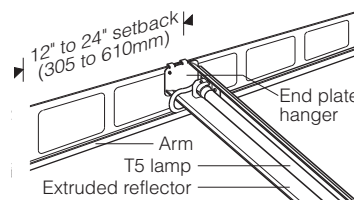
02 = Semi-gloss white
 07 = Silver
 08 = Semi-gloss black
 99 = Custom RAL or computer matched color to be specified, consult sales representative

7 Voltage/Ballast

1 = 120V electronic
 2 = 277V electronic
Note: Not available with cord & plug (Electrical Code **C**)

8 Option (See Accessories Section for specifications)

00 = No options
 0U = **Wall upright module (T5 only)**
 Extruded aluminum asymmetric reflector with specular finish. Exterior finished to match base reflector. Stamped end plates clip onto mounting arms. Electronic ballast is located in base reflector wireway. Lamp length(s) and wattage will match base reflector.



9 Standard

0 = UL, Underwriters Laboratories
 J = CSA, Canadian Standards Association

Example

F505 - T096 - H - 07 - 1 - 000

gondolier2 display light for use with two 32W T8 lamps, 96" overall length. Starter/individual module with #12 AWG supply wire in 3/8" flexible conduit. Silver. 120V integral electronic ballast. UL.

Note: Order mounting arms separately.

Mounting Arms

Mounting arms are specified and ordered separately.

VG | 1 | | | = **Mounting arm**, for slotted shelving standards - Lozier and compatibles
 0 = UL
 J = CSA
 02 = Semi-gloss white
 07 = Silver
 08 = Semi-gloss black
 99 = RAL or custom color, to be specified
 24 = 24" arm (for slat, grid, peg or other display walls with merchandise up to 8" deep)
 36 = 36" arm (for shelves up to 24" deep)
D = **End of Row/Individual kit**, includes pair of arms (left and right) and pair of blank end plates. Order one kit for each row or individually mounted module.
S = **Intermediate arm**, single
 Order one for each additional module in a row.
 Note: Quantity for a row should equal the number of modules in the row subtract one.

Example: row of five modules requires (1) **VGD136070** and (4) **VGS136070** mounting arms (36" silver).

Note: Mounting arms for other shelving and display systems are available, consult factory.

Accessories

Order separately. See Accessories Section for specifications.

ALM | | | | 00 = Snap-on gasketed acrylic lens
 Suggested for use over food products.
 036 = 36" length
 048 = 48" length
 072 = 72" length
 096 = 96" length

