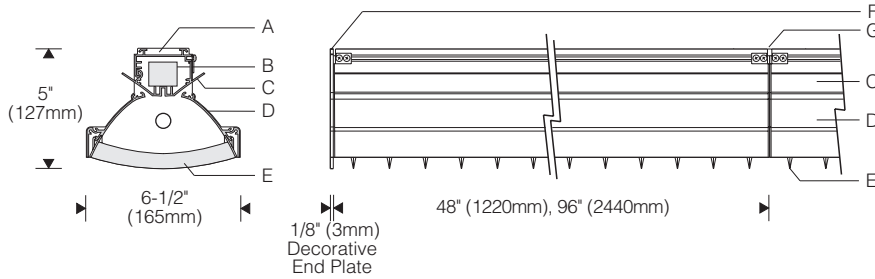
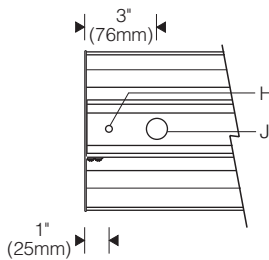


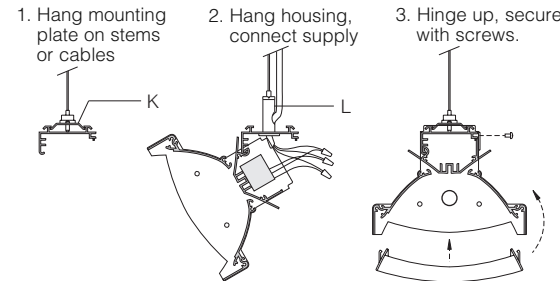
**Style 526** 1:8 Scale



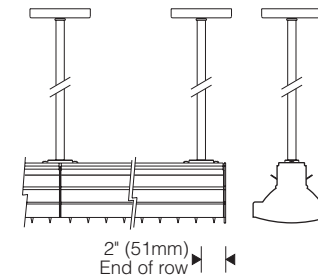
**Top View (S mount)**



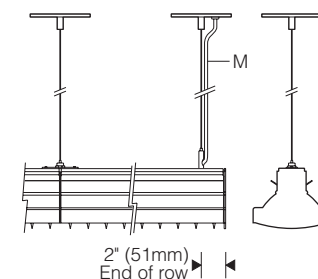
**Installation (X mount – cables shown)**



**Pendant Stems (X mount)**



**Cables (X mount)**



**Specifications**

- A** Extruded aluminum mounting plate
- B** Electronic ballast
- C** Specular extruded aluminum uplight reflector (6% indirect)
- D** Specular extruded aluminum reflector housing
- E** Snap-in semi-specular parabolic cross-baffle, blades 1-1/2" o.c., 25° shielding
- F** Aluminum decorative end plate (3 profiles – order separately)
- G** Aluminum joiner/reveal plates
- H** Mounting holes, 9/32" (7mm) dia. (S mount)
- J** Knockout, (2) 7/8" (22mm) dia. (S mount)
- K** Joiner bracket
- L** Power feed
- M** 18/4 cord with cable clips (cable mount)

**Finish:**

Semi-gloss white or bright clear anodized aluminum housing with semi-gloss black reveal plates. White or silver decorative end plates (order separately).

Painted surfaces – 6 stage pretreatment and electrostatically applied thermoset powdercoat for stable, long lasting finish.

Reflector – extruded high purity aluminum with clear anodized specular finish. All luminaire hardware – stainless steel.

Cross-baffle – injection molded high-impact polycarbonate with metalized semi-specular finish.

**Mounting:**

**X** mount – pendant stems, cables **ordered separately**.

Pendant stem – 11/16" O.D. aluminum, internally threaded. 5" dia. aluminum canopy.

Cable – 1/16" dia. 7x7 aircraft cable, field adjustable length. Crossbar with 1/4-20 stud and 5" dia. canopy.

**S** mount – mounting plate fastens flush to ceiling. Unit hinges on plate for hands-free access to wiring.

**Electrical:**

Use 90°C wire for supply connections and through wire.

**X** mount – electrical feed hanger mounts over recessed outlet box (by others) and **must be located at end of row**.

**S** mount – 7/8" (22mm) dia. knockouts at ends of mounting plate for conduit feed (by others).

Housing hinges down for access to ballast and wiring. Optional #12 AWG prewired modular through wiring with quick connectors.

Integral electronic HPF thermally protected class P ballast with end-of-life protection.

Optional integral emergency battery operates one lamp. Separate unswitched supply is required.

**Standard:**

UL listed or CSA certified.

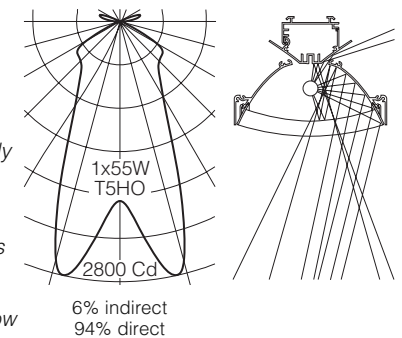
**Features**

- Exceeds IESNA recommended light levels with SINGLE T5 lamp – complies with ASHRAE/IESNA Energy Standards
- Precise extruded aluminum reflector drives light to bottom shelves – optimized for tall, narrow aisles
- Specular uplight reflectors – creates soft glow on ceiling
- Innovative variable width cross-baffle – redirects wasted light



**Performance**

Multiple reflector segments drive light to the lowest shelves. Unique cross-baffle redirects a portion of the lamp energy that otherwise goes directly to the floor back into the main beam while providing lengthwise shielding. The result is high beam efficiency and superior surface uniformity in tall, narrow stacks.



For complete photometrics, visit [thelightingquotient.com](http://thelightingquotient.com)



