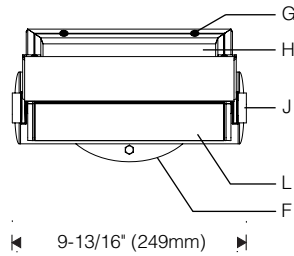
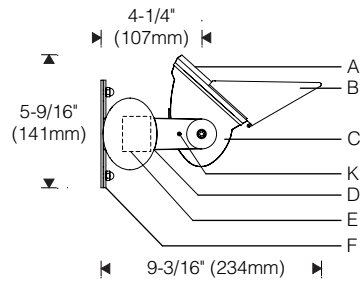
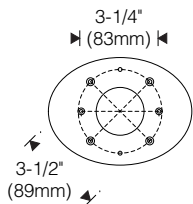


S Mount 1:8 Scale

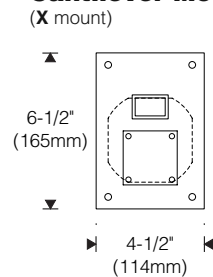


Mounting Plate (S mount)

For use with surface, recessed, round or rectangular outdoor outlet box by others

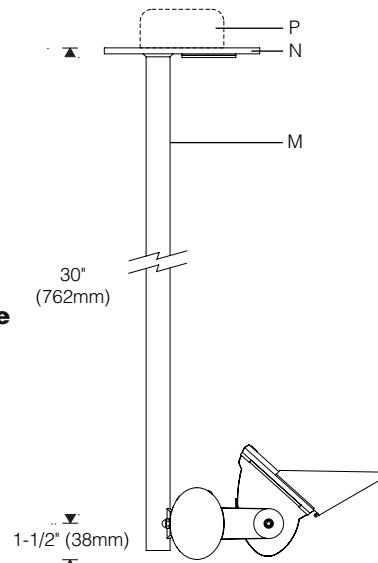


Cantilever Mounting Plate (X mount)



Cantilever

(for use with X mount)



Specifications

- A** Mitred extruded aluminum door frame with silicone gasket
- B** Aluminum cutoff visor
- C** Die-cast aluminum end plates
- D** Die-cast aluminum ballast housing and side arms
- E** Integral electronic ballast
- F** Stainless steel canopy, mounting plate, cap nuts
- G** Tamper-resistant captive door screws
- H** Microprismatic tempered glass lens
- J** Aluminum decorative knobs
- K** Locking set screw
- L** Specular extruded aluminum reflector
- M** 1" x 1-1/2" aluminum arm
- N** Welded aluminum mounting plate with splice access cover
- P** Recessed outlet box (by others)

Finish:

Exterior surfaces – 6 stage pretreatment and electrostatically applied thermoset polyester powder coating for a durable abrasion, fade and corrosion resistant finish. Choice of semi-gloss colors (see ordering information).

Reflector – extruded high purity aluminum with clear anodized specular finish. All hardware and components – non-corrosive stainless steel or aluminum. Door secured with captive tamper-resistant (#10 Torx) screws in stainless steel threaded reflector inserts to prevent seizing. Yoke attaches with recessed hex socket screws.

Mounting:

Stainless steel mounting plate compatible with most recessed and surface mounted wet-location outlet boxes (4" round or single gang rectangular weatherproof outlet box by others). Stainless steel oval canopy attaches to mounting plate with stainless steel hardware.

Aluminum cantilever or slipfitter mounting assemblies ordered separately; specify X mount. Suitable backing structure required.

Electrical:

Use 90°C wire for supply connections. Leads exit reflector through watertight flush cord entry and silicone coated fiberglass sleeving.

S mount – provided with 8" (0.2m) leads exposed for supply connections at recessed or surface outlet box.

X mount – provided with 60" (1524mm) leads exposed for slipfitter mounting or cantilever mounting over recessed outlet box.

G12 lampholder for use with single-ended lamp.

Integral electronic HPF ballast (-4°F/-20°C starting) offers improved voltage regulation and color stability. Automatic shutoff feature eliminates end-of-life lamp cycling.

For complete ballast specifications, see Accessories Section.

Standard:

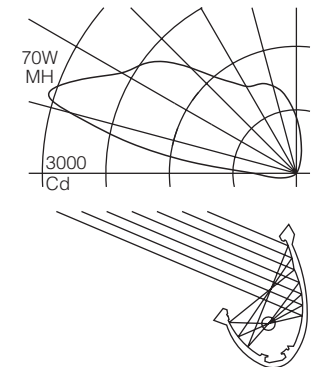
UL listed or CSA certified for wet locations.

Features

- Compact size, minimal setbacks and wide spacings – ideal for unobtrusive uplighting of soffits, canopies, vaults
- Durable and secure – thermal and impact resistant lens, tamper-resistant fasteners, set screw in yoke locks aiming
- Ceramic metal halide – warm color, high CRI, long life
- Integral electronic ballast – precise lamp regulation

Performance

Two parabolic reflector sections drive light across the overhead plane from one edge. An elliptical section redirects its light to a parabola and shields the lamp. Asymmetry is maximized resulting in high beam efficiency and superior surface uniformity. The fast "runback" minimizes wasted spill light. Wide lateral distribution permits greater spacings.



For complete photometrics, visit thelightingquotient.com



Cradle to Cradle Certified™ is a certification mark licensed by the Cradle to Cradle Products Innovation Institute.



To form a Catalog Number

M | 1 | 5 | 9 | - | - | - | - | V | | |
 1 | 2 | 3 | 4 | 5 | 6 | 7 | 8

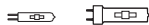
1 Source

M = Metal halide

2 Style

159 = Small outdoor, integral ballast Ovalinear

3 Lamp

Lamp Code	Wattage	Lamp Number	Voltages	Ballast
Ceramic Metal Halide* 				
020G	20	CDM20/T6/830	1, 2	Electronic
035G	35	CDM35/T6/830	1, 2	Electronic
070G	70	CDM70/T6/830	1, 2	Electronic

For complete lamp and ballast information, see Accessories Section.

* Metal halide lamps using ceramic arc tubes yield higher light output than lamps with quartz arc tubes. They offer improved lamp-to-lamp color consistency and a more stable color temperature over their life (±200K). Standard lamp color is 3000K/80+ CRI.

4 Mounting

S = Surface mount with oval mounting plate and canopy (4" round or single gang rectangular weatherproof outlet box by others)

X = For use with cantilever mounting accessories (order separately)

Note: For slipfitter options, see Accessories Section.

5 Finish

02 = Semi-gloss white
 06 = Dark bronze
 07 = Silver
 08 = Semi-gloss black
 12 = Green

99 = Custom RAL or computer matched color to be specified, consult sales representative.

Project: _____

6 Voltage/Ballast

Electronic
 1 = 120V
 2 = 277V

7 Option (see Accessories Section for specifications)

V0 = Cutoff visor included, no other options
 VX = For modification not listed, include detailed description. Consult factory prior to specification.

Note: Cutoff visor included unless specified otherwise.

8 Destination Requirement

0 = UL listed or CSA certified for U.S.
 J = UL listed or CSA certified for Canada

Example

M159 - 035G - X - 06 - 1 - V00

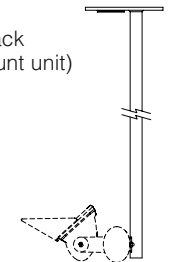
Small outdoor Ovalinear model for use with 35 watt metal halide lamp. For use with accessory cantilever or slipfitter (side-mount only), order separately. Dark bronze powder coat finish. Integral 120V electronic ballast. UL listed or CSA certified for U.S. Cutoff visor included.

Type: _____

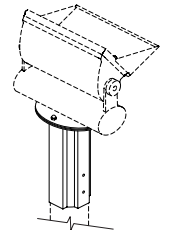
Accessories

Order separately. See Accessories Section for specifications.

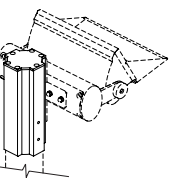
ACG | 30 | = Cantilever, 30" (760mm) setback (for use with X mount unit)
 0 = U.S.
 J = Canada
 5 Finish



AST | T10 | = Top-mount slipfitter, for 2-3/8" O.D. pole, stanchion or tenon (for use with single S mount unit)
 5 Finish



AST | S10 | = Side-mount slipfitter, for 2-3/8" O.D. pole, stanchion or tenon (for use with single X mount unit)
 5 Finish



AEGV | OD0 | = External vertical blade baffle, matte black for lengthwise shielding
 2 = 25° shielding
 4 = 45°

