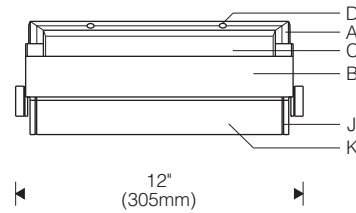
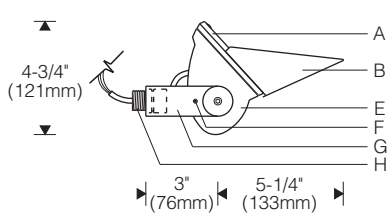
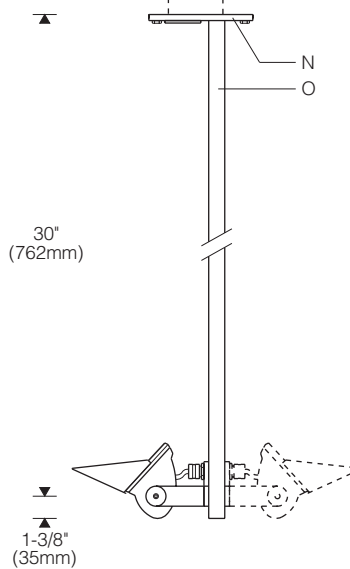


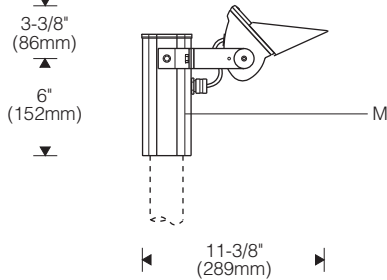
V Mount 1:8 Scale



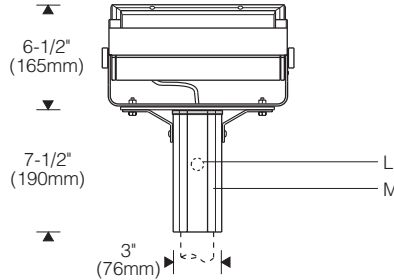
Cantilever 1:12 Scale
(For use with X Mount)



Side-Mount Slipfitter 1:12 Scale
(For use with X Mount)



Top-Mount Slipfitter 1:12 Scale
(For use with X Mount)



Specifications

- | | | | |
|--|---|---|---|
| A Mitred extruded aluminum door frame with silicone gasket | D Tamper-resistant captive door screws | H 1/2" NPT nipple | M Accessory extruded aluminum slipfitter for 2-3/8" O.D. pole or tenon |
| B Cutoff visor (included) | E Die-cast aluminum end plates | J Aluminum reveal plates (black) | N Welded aluminum mounting plate with splice access cover |
| C Micro-prismatic, thermal and impact resistant tempered glass lens | F Locking set screw | K Specular extruded aluminum reflector | O 1" x 1-1/2" aluminum arm |
| | G Aluminum yoke | L 1/2" NPT entry (with plug) | |

Finish:

Exterior surfaces – 6 stage pretreatment and electrostatically applied thermoset polyester powder coating for a durable abrasion, fade and corrosion resistant finish. Choice of semi-gloss colors (see ordering information).

Reflector – extruded high purity aluminum with clear anodized specular finish. All hardware and components – non-corrosive stainless steel or aluminum. Door secured with captive tamper-resistant (#10 Torx) screws in stainless steel threaded reflector inserts to prevent seizing. Yoke attaches with recessed hex socket screws.

Mounting:

1/2" NPT nipple (wet location outlet box and outlet box cover or fitting by others).

Aluminum cantilever mounting assembly ordered separately; specify X mount. Suitable backing structure required.

Accessory slipfitter ordered separately. Top-mount for single unit, or side-mount for one or two (back-to-back) units; specify X mount. Fits 2-3/8" O.D. stanchion, pole or tenon (by others).

Electrical:

Use 90°C wire for supply connections. Leads exit reflector through watertight flush cord entry and silicone coated fiberglass sleeving with 8" (.2m) exposed beyond nipple. 60" (1.5m) leads for X mount.

Tungsten halogen – recessed single contact (RSC) or DC bayonet lampholders retained with patented clamping supports for maximum heat dissipation.

Metal halide – G12 lampholder for use with single ended lamp. Remote high reactance autotransformer ballast (-20°F/-30°C starting) or electronic ballast (5°F/-15°C starting). Die-cast aluminum weatherproof ballast enclosure includes four 1/2" NPT threaded entries. Electronic ballast provides improved voltage regulation, energy savings and automatic shut-off feature to eliminate end-of-life lamp cycling. Optional remote ballast for dry indoor location.

For complete ballast specifications, see Accessories Section.

Standard:

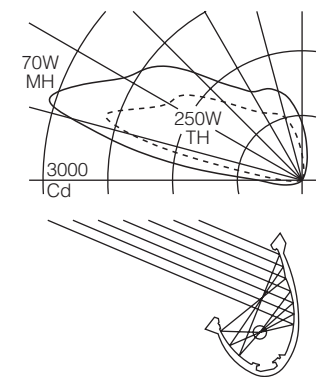
UL listed or CSA certified for wet locations.

Features

- Compact size, minimal setbacks and wide spacings – ideal for unobtrusive uplighting of soffits, canopies, vaults
- Durable and secure – thermal and impact resistant lens, tamper-resistant fasteners, set screw in yoke locks aiming
- Precured silicone gaskets, unique flush cord entry – seal out dirt and moisture, maintain performance

Performance

Two parabolic reflector sections drive light across the overhead plane from one edge. An elliptical section redirects its light to a parabola and shields the lamp. Asymmetry is maximized resulting in high beam efficiency and superior surface uniformity. The fast "runback" minimizes wasted spill light. Wide lateral distribution permits greater spacings.



For complete photometrics, visit thelightingquotient.com



