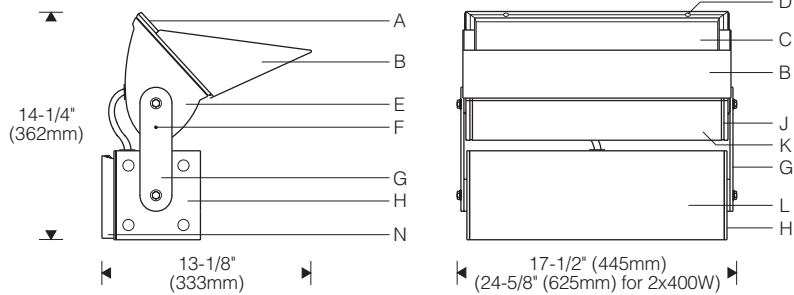
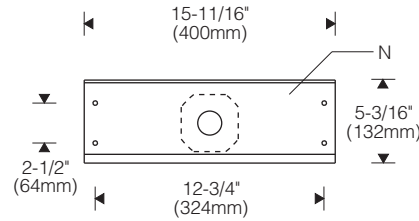


W Mount: (Shown in upright position) 1:12 Scale

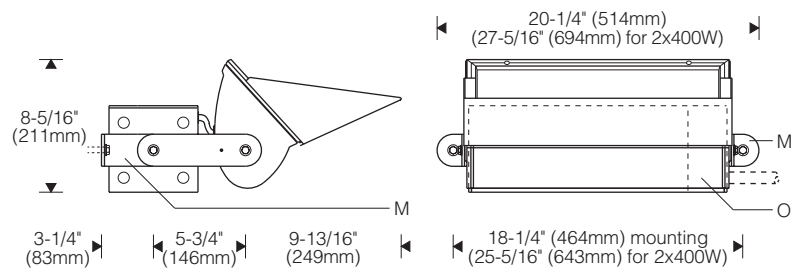


Mounting Plate (W mount)

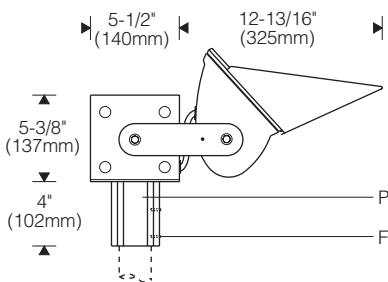
For installation diagram, see page U-10.



S Mount: (Shown in prone position) 1:12 Scale



F Mount: Slipfitter



Specifications

- | | | | |
|--|---|---|---|
| A Mitred extruded aluminum door with silicone gasket | D Tamper-resistant captive door screws | J Reveal plates (black) | N Stainless steel latch/hinge mounting plate (black) |
| B Cutoff visor (included) | E Die-cast end plates | K Specular extruded aluminum reflector | O Internal splice compartment with (2) 1/2" NPT entries (S mount only) |
| C Clear, flat, thermal and impact resistant tempered glass lens | F Locking set screw | L Extruded aluminum ballast housing | P Aluminum slipfitter for 2-3/8" O.D. pipe or tenon |
| | G Aluminum sidearms | M Aluminum mounting feet | |
| | H Cast end plates | | |

Features

- Design flexibility – adjustable sidearms, choice of mountings
- Compact yet powerful – up to 2x400W metal halide
- Optimum performance – high output position oriented metal halide, end-of-lamp aligner, set screw locks aiming
- Durable aluminum construction – extruded reflector, door frame and ballast housing; die-cast end plates



Finish:

Exterior surfaces – 6 stage pretreatment and electrostatically applied thermoset polyester powder coating for a durable abrasion, fade and corrosion resistant finish. Choice of semi-gloss colors (see ordering information).

Reflector and internal end plates – extruded high purity aluminum with clear anodized specular finish. All hardware and components – non-corrosive stainless steel or aluminum. Door secured with captive tamper-resistant (#10 Torx) screws in stainless steel threaded reflector inserts to prevent seizing.

Mounting:

Sidearms can be rotated 90° in the field to position the reflector above or in front of the ballast housing.

W mount – latch/hinge mounting plate fastens over recessed outlet box and allows hands free access to splices. For wall mounting only; suitable backing structure required (by others).

S mount – L-shaped mounting feet attach under sidearms. 13/32" dia. (10mm) clearance holes (3/8" fasteners by others).

F mount – slipfitter mounts over 2-3/8" O.D. rigid conduit or tenon (by others).

Electrical:

Use 90°C wire for supply connections. Leads exit reflector and enter ballast housing through watertight flush cord entries and silicone coated fiberglass sleeving.

S mount – two 1/2" NPT entries (conduit, fittings by others).

F mount – 10" (254mm) leads within slipfitter for splicing inside conduit or tenon. For poles higher than 8', specify **VS** option.

Metal halide – Mogul lampholder is pulse rated for use with either horizontal or universal position reduced envelope pulse start lamps. End-of-lamp aligner ensures consistent optical performance, minimizes damage from shock or vibration. Ballast – integral HPF constant wattage autotransformer (CWA) or electronic each rated for -20°F/-29°C starting.

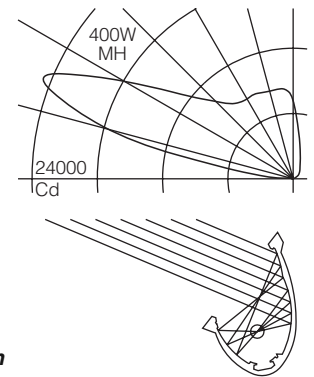
For complete ballast specifications, see Accessories Section.

Standard:

UL listed or CSA certified for wet locations.

Performance

Two parabolic reflector sections drive light across the overhead plane from one edge. An elliptical section redirects its light to a parabola and shields the lamp. Asymmetry is maximized resulting in high beam efficiency and superior surface uniformity. The fast "runback" minimizes wasted spill light. Wide lateral distribution permits greater spacings.



For complete photometrics, visit thelightingquotient.com



Cradle to Cradle Certified^{CM} is a certification mark licensed by the Cradle to Cradle Products Innovation Institute.

