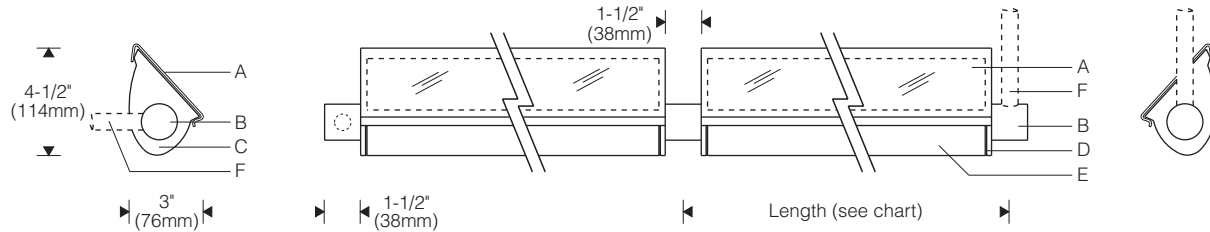
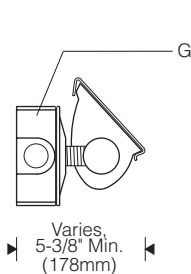


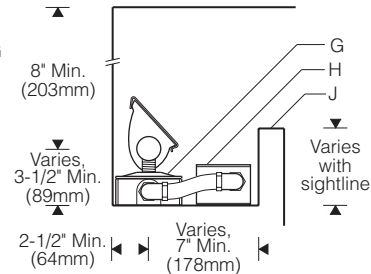
Cantilever / Pendant 1:8 Scale



Surface 1:8 Scale



Cove 1:12 Scale



Lamps	Length (center to center of hangers)	
	T8	T5
1 x 2'	27-1/8" (689mm)	25-1/16" (636mm)
1 x 3'	39-1/8" (994mm)	36-7/8" (936mm)
1 x 4'	51-1/8" (1299mm)	48-5/8" (1235mm)
1 x 5'	62-15/16" (1598mm)	60-5/8" (1539mm)
2 x 3'	75-5/8" (1921mm)	72-5/8" (1884mm)
2 x 4'	99-5/8" (2530mm)	96-5/8" (2454mm)
2 x 5'	123-5/8" (3140mm)	120-5/8" (3063mm)



Specifications

- A** UV and impact resistant acrylic snap-on lens with EPDM gasket
- B** Machined aluminum mounting hubs with o-ring gaskets (ordered separately)
- C** Die-cast aluminum end plates
- D** Aluminum reveal plates (black)
- E** Specular extruded aluminum reflector
- F** 1/2" rigid conduit cantilever or pendant supports (by others)
- G** Outlet boxes, liquid tight flexible conduit and fittings (by others)
- H** Remote ballast in weatherproof aluminum enclosure
- J** Architectural cove (for design guidance, see Applications Section)

Finish:

Exterior surfaces – 6 stage pretreatment and electrostatically applied thermoset polyester powder coating for a durable abrasion, fade and corrosion resistant finish. Choice of semi-gloss colors (see ordering information).

Reflector – extruded high purity aluminum with clear anodized specular finish. All hardware and components – non-corrosive stainless steel or aluminum.

Snap-on lens – composite of impact resistant and UV stabilized acrylic. EPDM gasket for watertight operation when facing upward.

Mounting:

Machined aluminum mounting hubs (ordered separately) with internal 1/2" NPT threaded entry. 1/2" rigid conduit supports or fittings (by others). Allow 2.5 lbs/foot of reflector (example: 8' unit x 2.5 = 20 pounds).

Specify intermediate and end hubs. Reflector is adjustable about the hubs. Aiming is locked in position with set screws in the hubs.

Electrical:

Use 90°C wire for supply connections.

Remote electronic HPF thermally protected class P ballast rated for 0°F/-18°C starting. Weatherproof aluminum enclosure includes three 7/8" diameter entries and one 3/8" liquidtight conduit connector.

7' (2.1m) wire leads exit end of reflector. **Maximum wire length between remote ballast and fixture is 7' for two-lamp reflectors and 12' for one-lamp reflectors.**

For complete ballast specifications, see Accessories Section.

Standard:

UL listed or CSA certified for wet locations when mounted horizontally. For positions other than horizontal, consult factory.

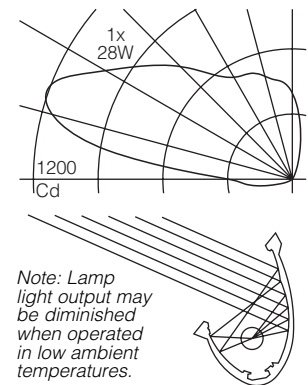
Features

- T5 for precise optical control – unequaled uniformity for uplighting soffits, vaults, canopies from minimal setbacks
- Snap-on impact and UV resistant acrylic lens with EPDM gasket – watertight for uplighting orientations
- Durable aluminum construction – extruded reflector, die-cast end plates, machined hubs; powder coat finish



Performance

Two parabolic reflector sections drive light across the overhead plane from one edge. An elliptical section redirects its light to a parabola and shields the lamp. Asymmetry is maximized resulting in high beam efficiency and superior surface uniformity. The fast "runback" minimizes wasted spill light.



For complete photometrics, visit www.elliptipar.com

