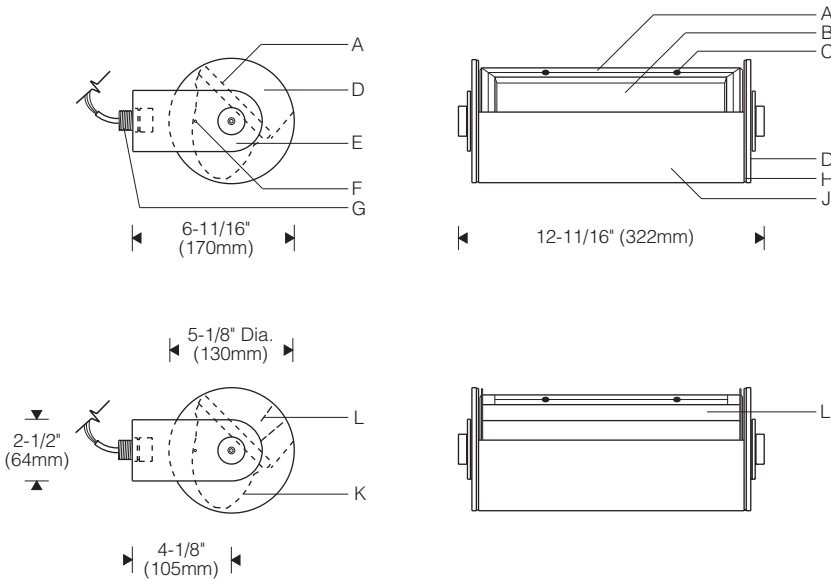
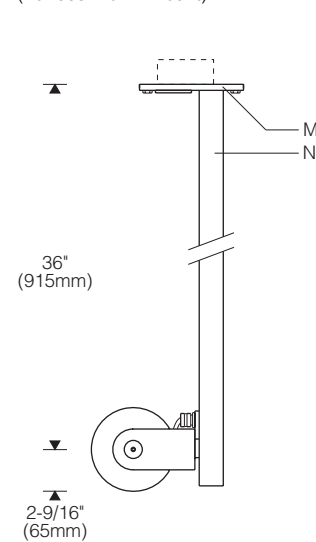


**V Mount** 1:8 Scale



**Cantilever** 1:12 Scale  
(For use with X Mount)



**Specifications**

<b>A</b> Mitred extruded aluminum door frame with silicone gasket	<b>C</b> Tamper-resistant captive door screws	<b>H</b> Aluminum reveal plates with drainage slots (black)	<b>L</b> Optional horizontal radial blade baffle (black)
<b>B</b> Micro-prismatic, thermal and impact resistant tempered glass lens	<b>D</b> 3/16" aluminum end plate	<b>J</b> Extruded aluminum cylindrical housing	<b>M</b> Welded aluminum mounting plate with splice access cover (outlet box by others)
	<b>E</b> Aluminum yoke	<b>K</b> Specular extruded aluminum reflector	<b>N</b> 1-1/2" x 2" aluminum arm
	<b>F</b> Locking set screw		
	<b>G</b> 1/2" NPT nipple		

**Finish:**

Exterior surfaces – 6 stage pretreatment and electrostatically applied thermoset polyester powder coating for a durable abrasion, fade and corrosion resistant finish. Choice of semi-gloss colors (see ordering information).

Reflector – extruded high purity aluminum with clear anodized specular finish. All hardware and components – non-corrosive stainless steel or aluminum. Door secured with captive amper-resistant (#10 Torx) screws in stainless steel threaded reflector inserts to prevent seizing. Yoke attaches with recessed hex socket screws.

**Mounting:**

1/2" NPT nipple (wet location outlet box or fitting by others).

Aluminum cantilever mounting assembly ordered separately; specify X mount. Suitable backing structure required.

Accessory slipfitter ordered separately. Top-mount for single unit, or side-mount for one or two (back-to-back) units; specify X mount. Fits 2-3/8" O.D. stanchion, pole or tenon (by others).

**Electrical:**

Use 90°C wire for supply connections. Leads exit reflector through watertight flush cord entry and silicone coated fiberglass sleeving with 8" (.2m) exposed beyond nipple. 60" (1.5m) leads for X mount.

Tungsten halogen – recessed single contact (RSC) or DC bayonet lampholders retained with patented clamping supports for maximum heat dissipation.

Metal halide – G12 lampholder for use with single ended lamp. Remote high reactance autotransformer ballast (-20°F/-30°C starting) or electronic ballast (5°F/-15°C starting). Die-cast aluminum weatherproof ballast enclosure includes four 1/2" NPT threaded entries. Electronic ballast provides improved voltage regulation, energy savings and automatic shut-off feature to eliminate end-of-life lamp cycling. Optional remote ballast for dry indoor location.

For complete ballast specifications, see Accessories Section.

**Standard:**

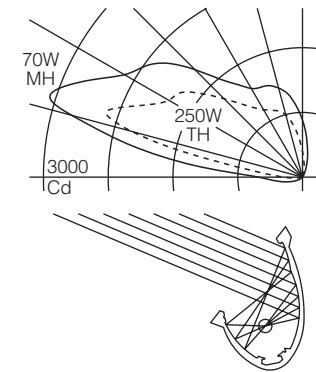
UL listed or CSA certified for wet locations.

**Features**

- Rugged extruded aluminum cylinder with 3/16" end plates houses the rigid reflector – no exposed fasteners
- Watertight for upward facing operation – sealed reflector, concealed drainage slots in cylindrical housing
- Round end plates – consistent profile regardless of aiming
- Compact yet powerful – up to 250W halogen, 150W MH

**Performance**

Two parabolic reflector sections drive light across the overhead plane from one edge. An elliptical section redirects its light to a parabola and shields the lamp. Asymmetry is maximized resulting in high beam efficiency and superior surface uniformity. Fast "runback" minimizes wasted spill light. Wide lateral distribution permits greater spacings.



For complete photometrics, visit [thelightingquotient.com](http://thelightingquotient.com)



To form a Catalog Number

1 6 0 - - - - -  
 1 2 3 4 5 6 7 8



1 Source

M = Metal halide  
 T = Tungsten halogen

2 Style

160 = Small outdoor cylinder, remote ballast

3 Lamp

Lamp Code	Wattage	Lamp Number	Voltages	Remote Distance
Ceramic Arc Tube Pulse Start Metal Halide (80+ CRI)* 				
035G	35	CDM35/T6/830	1, 2	15' (4.5m)
			A, B	10' (3m)
070G	70	CDM70/T6/830	1, 2	15' (4.5m)
			A, B	20' (6m)
150G	150	CDM150/T6/830	1, 2	15' (4.5m)
			A, B	10' (3m)
Tungsten Halogen 				
0100	100	Q100DC	A	
0150	150	Q150DC	A	
0200	200	Q200T3	A	
0250	250	Q250DC	A	

For complete lamp and ballast information, see Accessories Section.  
 \* Standard lamp color is 3000K/80+ CRI.

4 Mounting

V = External yoke with 1/2" NPT nipple (wet location outlet box or fitting by others)  
 X = External yoke for use with accessory cantilever or slipfitter (order separately)

5 Finish

02 = Semi-gloss white  
 06 = Dark bronze  
 07 = Silver  
 08 = Semi-gloss black  
 12 = Green  
 99 = Custom RAL or computer matched color to be specified, consult sales representative.

Project: \_\_\_\_\_

6 Voltage/Ballast

Electronic  
 1 = 120V  
 2 = 277V  
 Magnetic  
 A = 120V  
 B = 277V

7 Option (see Accessories Section for specifications)

00 = No options  
 0B = Internal horizontal radial blade baffle, matte black. Provides horizontal cutoff of lens brightness when maximum candlepower is aimed 35° above horizontal.  
 0D = Remote ballast for dry indoor location (not for use with 150W magnetic)  
 0H = Long distance remote metal halide magnetic ballast  
 35W: 15' minimum up to 50' maximum (4.5m - 15m)  
 70W: up to 50' maximum (15m)  
 150W: up to 50' maximum (15m)  
 0R = Halogen standby lamp with relay field connected at remote ballast. Lamp included (wattage varies).  
 XX = For modification not listed, include detailed description. Consult factory prior to specification.

8 Destination Requirement

0 = UL listed or CSA certified for U.S.  
 J = UL listed or CSA certified for Canada

Example

M160 - 150G - V - 07 - B - 0H0

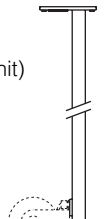
Small outdoor cylinder for use with 150 watt metal halide lamp. External yoke with 1/2" NPT nipple. Silver powder coat finish. Long distance (up to 15') remote 277V magnetic ballast in weatherproof enclosure. UL listed or CSA certified for U.S.

Type: \_\_\_\_\_

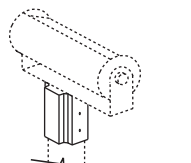
Accessories

Order separately. See Accessories Section for specifications.

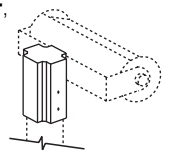
AC | | 36 | = Cantilever, 36" (914mm) setback (for use with X mount unit)  
 0 = U.S.  
 J = Canada  
 5 Finish  
 L = single unit  
 U = double unit (back to back)



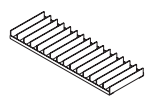
ASF | | T10 | = Top-mount slipfitter, for 2-3/8" O.D. pole, stanchion or tenon (for use with single X mount unit)  
 5 Finish



ASF | | S | 0 = Side-mount slipfitter, for 2-3/8" O.D. pole, stanchion or tenon (for use with X mount units)  
 1 = single unit  
 2 = double unit (back to back)  
 5 Finish



AEBV | | 0D0 | = External vertical blade baffle, black, for lengthwise shielding (not for use in combination with 0B baffle option)  
 2 = 25° shielding  
 4 = 45°



AFK000X | | = Ballast fuse kit  
 0 = U.S.  
 J = Canada

