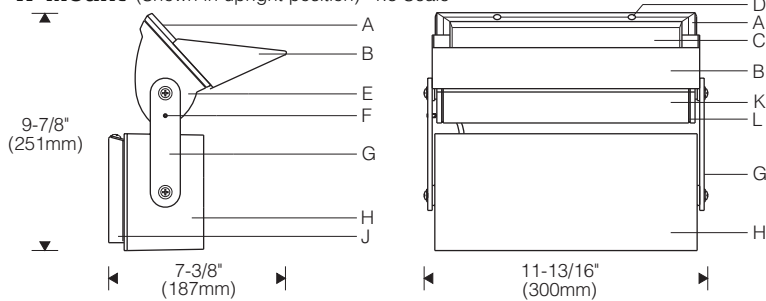
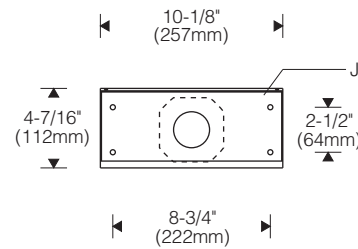


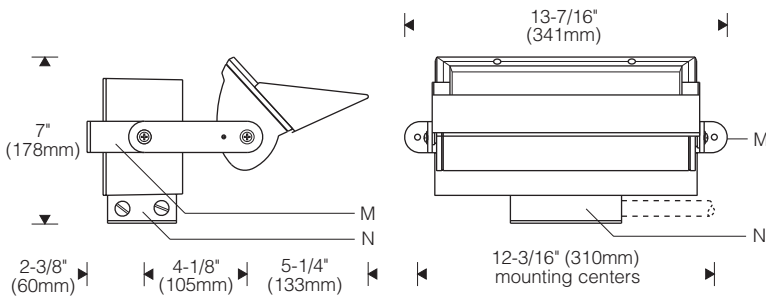
W Mount (Shown in upright position) 1:8 Scale



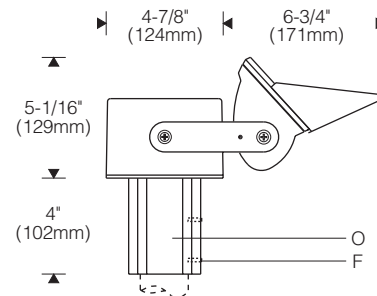
Mounting Plate (W mount)



S Mount (Shown in prone position) 1:8 Scale



F Mount: Slipfitter



Specifications

- | | | | |
|--|---|---|---|
| A Mitred extruded aluminum door frame with silicone gasket | D Tamper-resistant captive door screws | J Stainless steel latch/hinge mounting plate (black) | M Aluminum mounting feet |
| B Cutoff visor (included) | E Die-cast end plates | K Specular extruded aluminum reflector | N Die-cast external splice compartment, (4) 1/2" NPT threaded entries |
| C Micro-prismatic, thermal and impact resistant tempered glass lens | F Locking set screw | L Aluminum reveal plates (black) | O Extruded aluminum slipfitter for 2-3/8" O.D. pipe or tenon (by others) |
| | G Die-cast sidearms | | |
| | H Die-cast ballast housing | | |

Finish:

Exterior surfaces – 6 stage pretreatment and electrostatically applied thermoset polyester powder coating for a durable abrasion, fade and corrosion resistant finish. Choice of semi-gloss colors (see ordering information).

Reflector – extruded high purity aluminum with clear anodized specular finish. All hardware and components – non-corrosive stainless steel or aluminum. Door secured with captive tamper-resistant (#10 Torx) screws in stainless steel threaded reflector inserts to prevent seizing.

Mounting:

Sidearms can be rotated 90° in the field to position the reflector above or in front of the ballast housing.

W mount – latch/hinge mounting plate fastens over recessed outlet box; suitable backing structure required (by others). Fixture hinges on wall plate for hands-free access to splices.

S mount – L-shaped mounting feet attach under sidearms. 9/32" dia. (7mm) clearance holes for 1/4" fasteners (by others).

F mount – slipfitter mounts over 2-3/8" O.D. rigid conduit or tenon (by others).

7/11

Electrical:

Use 90°C wire for supply connections. Leads exit reflector and enter ballast housing through watertight flush cord entries and silicone coated fiberglass sleeving.

S mount – external splice compartment with four 1/2" NPT threaded entries. Liquidtight fittings and conduit by others.

F mount – 10" (254mm) leads exposed within slipfitter for splicing inside rigid conduit or tenon. For mounting atop pole higher than 8', specify **VS** option; see ordering information.

Metal halide – G12 lampholder for use with single ended lamp. Integral high reactance autotransformer ballast for 35W and 70W (-20°F/-30°C starting) or electronic ballast for 35W, 70W and 150W (5°F/-15°C starting). Electronic ballast is optional for 35W and 70W, provides improved voltage regulation, energy savings and automatic shut-off feature to eliminate end-of-life lamp cycling.

For complete ballast specifications, see Accessories Section.

Standard:

UL listed or CSA certified for wet locations.

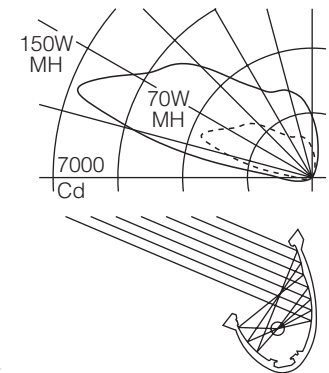
Features

- Design flexibility – sidearms rotate 90°; choice of wall plate, mounting feet or slipfitter
- Adjustable – tailor performance to surface and setback
- Compact yet powerful – up to 150W ceramic metal halide
- Durable – extruded aluminum reflector and door frame; die-cast end plates, sidearms and ballast housing



Performance

Two parabolic reflector sections drive light across the overhead plane from one edge. An elliptical section redirects its light to a parabola and shields the lamp. Asymmetry is maximized resulting in high beam efficiency and superior surface uniformity. The fast "runback" minimizes wasted spill light. Wide lateral distribution permits greater spacings.



For complete photometrics, visit thelightingquotient.com



Cradle to Cradle Certified^{CM} is a certification mark licensed by the Cradle to Cradle Products Innovation Institute.

elliptipar[®]
there is no equal[™]

To form a Catalog Number

M | 4 | 5 | 2 | - | - | - | - | V | | |
 1 | 2 | 3 | 4 | 5 | 6 | 7 | 8


1 Source

M = Metal halide

2 Style

452 = Small outdoor, integral ballast

3 Lamp

Lamp Code	Wattage	Lamp Number	Voltages
Ceramic Arc Tube Pulse Start Metal Halide (80+ CRI)* 			
035G	35	CDM35/T6/830	1, 2 A, B
070G	70	CDM70/T6/830	1, 2 A, B
150G	150	CDM150/T6/830	1, 2

For complete lamp and ballast information, see Accessories Section.
 * Standard lamp color is 3000K/80+ CRI.

4 Mounting

- W = Latch/hinge mounting plate for recessed outlet box. Wall mounting only.
- S = L-shaped feet for surface mounting. External splice compartment with (4) 1/2" NPT threaded entries.
- F = Slipfitter for 2-3/8" O.D. stanchion, pole or tenon. For pole higher than 8' (2.4m), specify VS option code.

Project: _____

5 Finish

- 02 = Semi-gloss white
- 06 = Dark bronze
- 07 = Silver
- 08 = Semi-gloss black
- 12 = Green
- 99 = Custom RAL or computer matched color to be specified, consult sales representative.

6 Voltage/Ballast

- Electronic
- 1 = 120V
- 2 = 277V
- Magnetic*
- A = 120V
- B = 277V

*35W or 70W Metal Halide (120V)

7 Option (see Accessories Section for specifications)

- V0 = Cutoff visor included, no other options
 - 00 = Cutoff visor NOT included, no other options (suggested when enclosure or architectural detail will provide shielding of lens brightness)
 - VR = Halogen standby lamp with integral relay. Lamp included (wattage varies).
 - VS = F mount with slipfitter for mounting on pole higher than 8' (2.4m). Supplied with 30' (9m) wire leads.
 - VX = For modification not listed, include detailed description. Consult factory prior to specification.
- Note:** Cutoff visor included unless specified otherwise.

8 Destination Requirement

- 0 = UL listed or CSA certified for U.S.
- J = UL listed or CSA certified for Canada

Example

M452 - 035G - S - 02 - B - V00

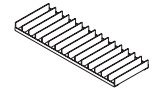
Small outdoor model for use with 35 watt metal halide lamp. Surface mounted with L-shaped feet. External splice compartment (liquidtight conduit and fittings by others). Semi-gloss white powder coat finish. Integral 277V ballast. UL listed or CSA certified for U.S. Cutoff visor included.

Type: _____

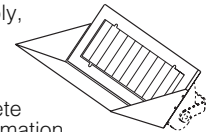
Accessories

Order separately. See Accessories Section for specifications.

- AEBV | ODO = External vertical blade baffle, black for lengthwise shielding
- 2 = 25° shielding
- 4 = 45°



- AXF = Wet location color filter assembly, interchangeable frame with stripped color glass, visor. Maximum 70W CMH.



Note: Consult factory for complete specifications and ordering information.

- AFK000X | = Ballast fuse kit
- 0 = U.S.
- J = Canada

