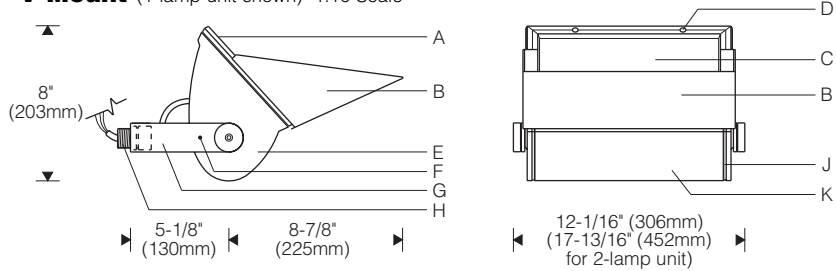
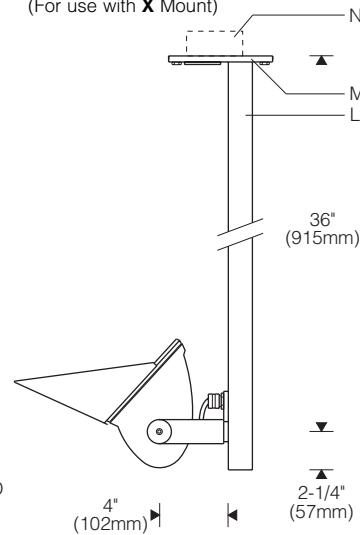


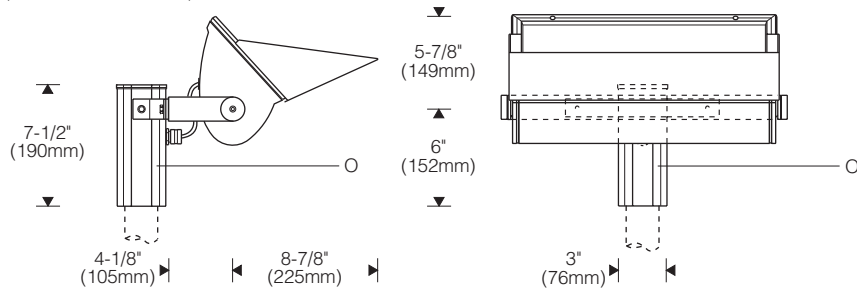
V Mount (1-lamp unit shown) 1:10 Scale



Cantilever 1:12 Scale
(For use with X Mount)



Side-Mount Slipfitter 1:12 Scale
(For use with X Mount)



Specifications

- | | | | |
|--|---|---|---|
| A Mitred extruded aluminum door with silicone gasket | D Tamper-resistant captive door screws | H 1/2" NPT nipple | M Welded aluminum mounting plate with splice access cover |
| B Cutoff visor (included) | E Die-cast aluminum end plates | J Aluminum reveal plates (black) | N Recessed outlet box |
| C Clear, flat, thermal and impact resistant tempered glass lens | F Locking set screw | K Specular extruded aluminum reflector | O Accessory extruded aluminum slipfitter for 2-3/8" O.D. pole or tenon |
| | G Aluminum yoke | L 1-1/2" x 2" aluminum arm | |

Finish:

Exterior surfaces – 6 stage pretreatment and electrostatically applied thermoset polyester powder coating for a durable abrasion, fade and corrosion resistant finish. Choice of semi-gloss colors (see ordering information).

Reflector and internal end plates – extruded high purity aluminum with clear anodized specular finish. All hardware and components – non-corrosive stainless steel or aluminum. Door secured with captive tamper-resistant (#10 Torx) screws in stainless steel threaded reflector inserts to prevent seizing. Yoke attaches with recessed hex socket screws.

Mounting:

1/2" NPT nipple (wet location outlet box or fitting by others).

Aluminum cantilever mounting assembly ordered separately; specify X mount. Suitable backing structure required.

Accessory slipfitter ordered separately. Top-mount for single unit, or side-mount for one or two (back-to-back) units; specify X mount. Fits 2-3/8" O.D. stanchion, pole or tenon (by others).

Electrical:

Use 90°C wire for supply connections. Leads exit reflector through watertight flush cord entry and silicone coated fiberglass sleeving with 8" (.2m) exposed beyond nipple. 60" (1.5m) leads on X mount.

Twist and lock 4-pin lampholder(s) for secure and easy relamping.

Remote electronic HPF thermally protected class P ballast rated for 0°F/-18°C starting. Weatherproof aluminum ballast enclosure includes three 7/8" dia. conduit entries and one 3/8" liquidtight conduit connector. **Maximum wire length between remote electronic ballast and fixture is 13' (3.9m) for 1-lamp reflectors and 4' (1.2m) for 2-lamp reflectors less length of pendant stem or cantilever arm.**

Optional remote ballast for dry indoor location.

For complete ballast specifications, see Accessories Section.

Standard:

UL listed or CSA certified for wet locations.

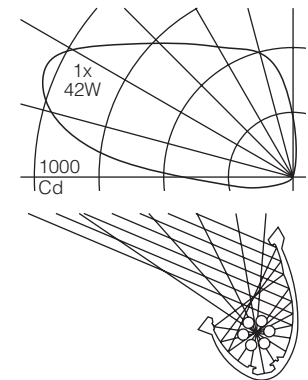
Features

- Hex tube fluorescent for low-energy, great color, long life
- Superior performance for closer setbacks, greater spacings
- Durable, secure – extruded aluminum reflector and door frame with tempered glass lens, tamper-resistant fasteners
- Precured silicone gaskets, unique flush cord entry – seal out dirt and moisture, maintain performance



Performance

Two parabolic reflector sections drive light across the overhead plane from one edge. An elliptical section redirects its light to a parabola and shields the lamp. Asymmetry is maximized resulting in high beam efficiency and superior surface uniformity. The fast "runback" minimizes wasted spill light. Wide lateral distribution permits greater spacings.



For complete photometrics, visit www.elliptipar.com

To form a Catalog Number

F | 1 | 5 | 2 | - | - | - | - | V | | |
 1 | 2 | 3 | 4 | 5 | 6 | 7 | 8


1 Source

F = Hex tube compact fluorescent

2 Style

152 = Large outdoor, remote ballast

3 Lamp

Lamp Code	Wattage	Lamp Number
Hex Tube Compact Fluorescent 		
H132	1x32W	CFTR32W/GX24q
H142	1x42W	CFTR42W/GX24q
H232	2x32W	(2) CFTR32W/GX24q
H242	2x42W	(2) CFTR42W/GX24q

For complete lamp and ballast information, see Accessories Section. Standard hex tube lamp color is 3000K/80+ CRI.

4 Mounting

- V = External yoke with 1/2" NPT nipple (wet location outlet box or fitting by others)
- X = External yoke for use with accessory cantilever or slipfitter (order separately)

5 Finish

- 02 = Semi-gloss white
- 06 = Dark bronze
- 07 = Silver
- 08 = Semi-gloss black
- 12 = Green
- 99 = Custom RAL or computer matched color to be specified, consult sales representative.

6 Voltage/Ballast

Electronic*

- 1 = 120V
- 2 = 277V
- 3 = 347V*

* Not available for 2 x 42W units.

*Furnished with remote ballast – maximum wire length is 13' (3.9m) for 1-lamp reflectors and 4' (1.2m) for 2-lamp reflectors.

Project: _____

7 Option

- V0 = Cutoff visor included, no other options
- VD = Remote electronic ballast for dry indoor location
- VL = Micro-prismatic tempered glass lens (replaces clear, flat lens, offers smoother light pattern at reduced peak candlepower)
- VX = For modification not listed, include detailed description. Consult factory prior to specification.

Note: Cutoff visor included unless specified otherwise.

8 Standard

- 0 = UL, Underwriters Laboratories
- J = CSA, Canadian Standards Association

Example

F152 - H142 - X - 02 - 2 - V00

Large outdoor model for use with one 42 watt hex tube compact fluorescent lamp. External yoke for use with accessory cantilever or slipfitter (order separately). Semi-gloss white powder coat finish. Remote 277V electronic ballast in weatherproof enclosure. UL. Cutoff visor included.

Type: _____

Accessories

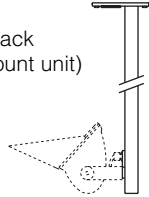
Order separately. See Accessories Section for specifications.

AC | | | 36 | = Cantilever, 36" (914mm) setback (for use with X mount unit)

0 = UL
J = CSA

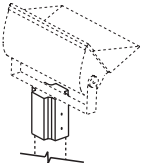
5 Finish

L = single unit
U = double unit (back to back)



ASF | | | T10 | = Top-mount slipfitter, for 2-3/8" O.D. pole, stanchion or tenon (for use with single X mount unit)

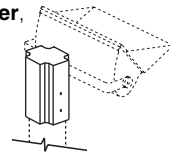
5 Finish



ASF | | | S | 0 | = Side-mount slipfitter, for 2-3/8" O.D. pole, stanchion or tenon (for use with X mount units)

1 = single unit
2 = double unit (back to back)

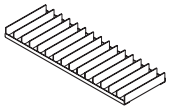
5 Finish



AE | | | V | | 0D0 | = External vertical blade baffle, black, for lengthwise shielding

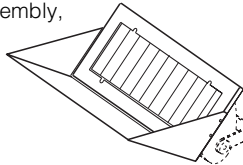
2 = 25° shielding
4 = 45°

C = 1-lamp unit
D = 2-lamp unit



AXF = Wet location color filter assembly, interchangeable frame with stripped color glass, visor.

Note: Consult factory for complete specifications and ordering information.



AFK000X | | | = Ballast fuse kit

0 = UL
J = CSA

