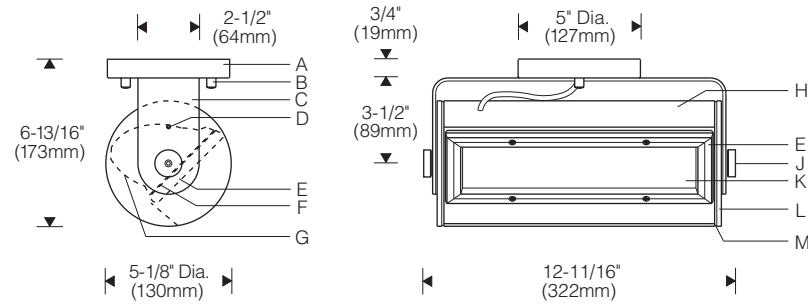
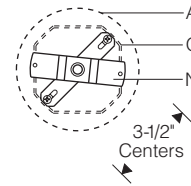


E Mount 1:8 Scale



Canopy



Specifications

- | | | | |
|----------------------------|---|--|---|
| A Aluminum canopy | E Mitred extruded aluminum door frame | H Extruded aluminum cylindrical housing | L 3/16" aluminum end plates |
| B Chrome cap nuts | F Silicone door and lens gasket | J Machined aluminum knobs | M Aluminum reveal plates (black) |
| C Aluminum yoke | G Specular extruded aluminum reflector | K Micro-prismatic tempered glass lens | N Pivoting hanger bar |
| D Locking set screw | | | O Outlet box (by others) |

Finish:

Semi-gloss white exterior, end plates, door frame, yoke and canopy. Black reveal plates.

Painted surfaces - 6 stage pretreatment and electrostatically applied thermoset powder coat for stable, long lasting and corrosion resistant finish.

Reflector - extruded high purity aluminum with clear anodized specular finish. All luminaire hardware - stainless steel. All mounting hardware - zinc or cadmium plated.

Mounting:

Canopy mounts over recessed outlet box.

Pendant or cantilever ordered separately; specify **X** mount.

Electrical:

Use 90°C wire for supply connections.

Tungsten halogen - recessed single contact (RSC) or DC bayonet lampholders retained with patented clamping supports for maximum heat dissipation.

Metal halide - G12 lampholder for use with single ended lamp. Remote encapsulated high reactance autotransformer ballast (35W and 70W) or electronic ballast. Electronic ballast provides improved voltage regulation, energy savings and automatic shut-off feature to eliminate end-of-life lamp cycling.

For complete ballast specifications, see Accessories Section.

Standard:

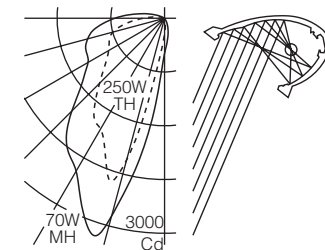
UL listed or CSA certified for damp locations. Where pendant or cantilever may be exposed to wind, consult factory.

Features

- Extruded cylindrical housing encloses the rigid reflector
- 3/16" aluminum end plate joins at articulated black reveal; machined aluminum knob - no exposed fasteners
- Precured silicone gaskets - keep dirt and moisture out, prevent light leaks, maintain performance
- Yoke set screw - securely locks aiming

Performance

Two parabolic reflector sections drive light to the bottom of the wall. An elliptical section shields the lamp from normal viewing angles and redirects its light to a parabola. Glare is minimized and asymmetry of the beam is maximized resulting in high beam efficiency and superior surface uniformity.



For complete photometrics, see www.elliptipar.com.



