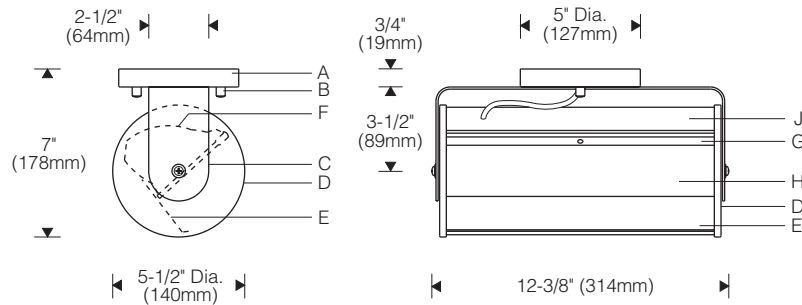
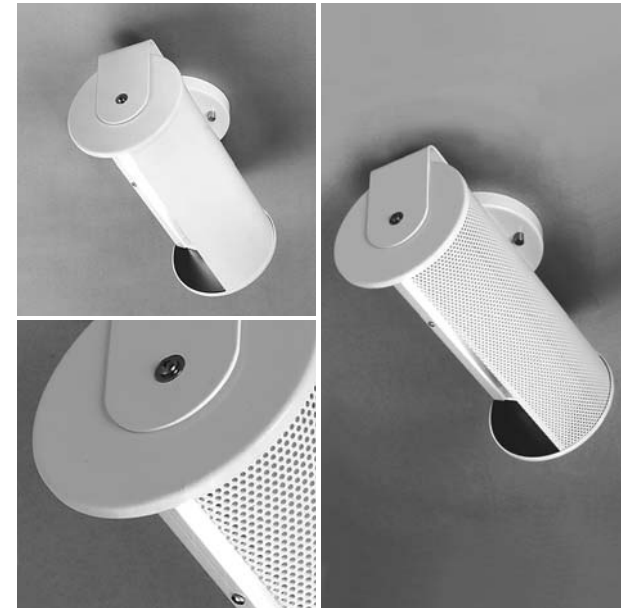


E Mount 1:8 Scale



Canopy



Specifications

- | | | | |
|-----------------------------------|---|--|--|
| A Aluminum canopy | E Aluminum splay (white) | H Micro-prismatic tempered glass lens | K Recessed outlet box (by others) |
| B Chrome cap nuts | F Specular extruded aluminum reflector | J Perforated or solid rolled aluminum housing | L Pivoting hanger bar |
| C Aluminum yoke | G Extruded aluminum lens retainer rail | | |
| D Spun aluminum end plates | | | |

Finish:

Perforated or solid rolled aluminum housing. Semi-gloss white housing, end plates, yoke and canopy. Internal end plates finished black.

Painted surfaces – 6 stage pretreatment and electrostatically applied thermoset powder coat for stable, long lasting and corrosion resistant finish.

Reflector – extruded high purity aluminum with clear anodized specular finish. All luminaire hardware – stainless steel. All mounting hardware – zinc or cadmium plated.

Mounting:

Canopy mounts over recessed outlet box.

Pendant or cantilever mounting assembly ordered separately; specify **X** mount.

Electrical:

Use 90°C wire for supply connections.

Tungsten halogen – DC bayonet lampholder retained with patented clamping supports for maximum heat dissipation.

Metal halide – G12 lampholder for use with single ended lamp. Remote encapsulated high reactance autotransformer ballast (35W and 70W) or electronic ballast. Electronic ballast provides improved voltage regulation, energy savings and automatic shut-off feature to eliminate end-of-life lamp cycling. For complete ballast specifications, see Accessories Section.

Standard:

UL listed or CSA certified for damp locations (Style 120 with gasketed door recommended for damp locations). Where pendant or cantilever may be exposed to wind, consult factory.

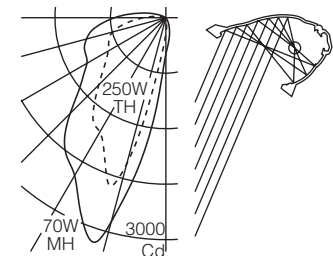
Features

- **KO Series** for cost conscious projects – perforated or solid housing in durable semi-gloss white powdercoat
- Non-corrosive construction – aluminum and stainless steel
- Round end plates – consistent profile regardless of aiming
- Compact yet powerful – up to 250W halogen, 150W ceramic metal halide



Performance

Two parabolic reflector sections drive light to the bottom of the wall. An elliptical section shields the lamp from normal viewing angles and redirects its light to a parabola. Glare is minimized and asymmetry of the beam is maximized resulting in high beam efficiency and superior surface uniformity.



For complete photometrics, visit thelightingquotient.com

To form a Catalog Number

1 3 0 - - - - -
 1 2 3 4 5 6 7 8

1 Source

- M = Metal halide
- T = Tungsten halogen

2 Style

130 = Small KO Series cylinder, remote ballast

3 Lamp

Lamp Code	Wattage	Lamp Number	Voltages	Remote Distance
Ceramic Arc Tube Pulse Start Metal Halide (80+ CRI)*				
035G	35	CDM35/T6/830	1, 2	15' (4.5m)
			A, B	10' (3m)
070G	70	CDM70/T6/830	1, 2	15' (4.5m)
			A, B	20' (6m)
150G	150	CDM150/T6/830	1, 2	15' (4.5m)
Tungsten Halogen				
0100	100	Q100DC	A	
0150	150	Q150DC	A	
0250	250	Q250DC	A	

For complete lamp and ballast information, see Accessories Section.
 *Standard lamp color is 3000K/80+ CRI.

4 Mounting

- E = External yoke on canopy
- X = External yoke for use with accessory pendant or cantilever mounting assembly (order separately)

5 Finish

- P2 = Perforated (non-illuminated) housing; semi-gloss white housing, end plates, yoke and canopy
- 02 = Solid housing; semi-gloss white housing, end plates, yoke and canopy
- 99 = Custom RAL or computer matched color to be specified, consult sales representative

Project: _____

6 Voltage/Ballast

- Electronic Magnetic*
- 1 = 120V A = 120V
- 2 = 277V B = 277V
- *35W or 70W Metal Halide or Tungsten Halogen (120V)

7 Option (see Accessories Section for specifications)

- 00 = No options
- 0H = Long distance remote ballast (encapsulated magnetic ballast for 35 and 70W only), 35W: 15' minimum up to 50' maximum (4.5m - 15m), 70W: up to 50' maximum (15m)
- 0M = MRI medical facility use (halogen E mount only)
- 0R = Halogen standby lamp with relay field connected at remote ballast. Lamp included (wattage varies).
- XX = For modification not listed, include detailed description. Consult factory prior to specification.

8 Destination Requirement

- 0 = UL listed or CSA certified for U.S.
- J = UL listed or CSA certified for Canada

Example

T130 - 0150 - E - P2 - A - 000

Small KO Series cylinder for use with 150W tungsten halogen lamp. Mounted with external yoke on canopy. Perforated aluminum housing with semi-gloss white end plates, housing, yoke and canopy. 120V. UL listed or CSA certified for U.S.

Type: _____

Accessories

Order separately. See Accessories Section for specifications.

VCL0236 = Cantilever, 36" (915mm) setback, semi-gloss white
 0 = U.S.
 J = Canada

VP 02 = Wallwash pendant, semi-gloss white
 0 = U.S.
 J = Canada
 Length in inches (54" (1.4m) maximum for TH, 42" (1.0m) maximum for MH)
 L = straight
 E = swivel (up to 45°)

AFK000X = Ballast fuse kit
 0 = U.S.
 J = Canada

