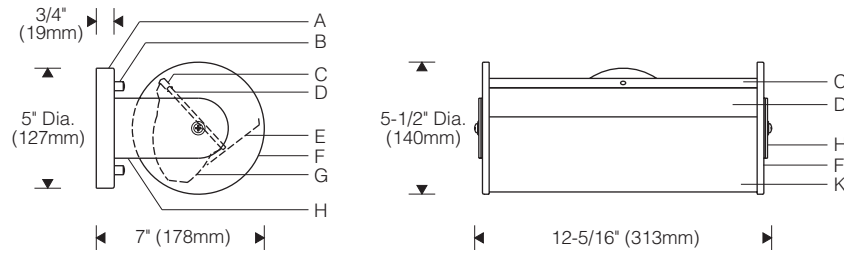
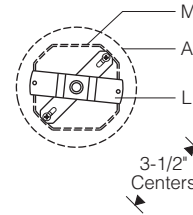


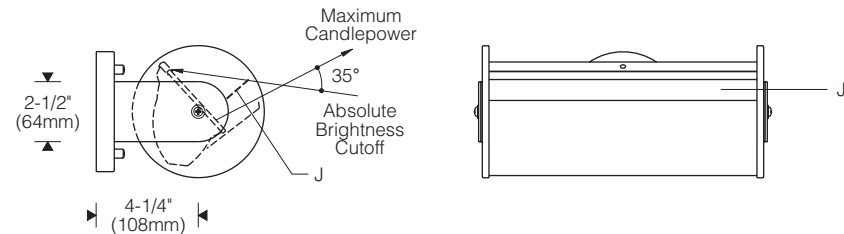
E Mount 1:8 Scale



Canopy



Radial Baffle (Optional)



Specifications

- | | | | |
|---|--|--|--|
| A Aluminum canopy | D Micro-prismatic tempered glass lens | G Specular extruded aluminum reflector | K Perforated or solid rolled aluminum housing |
| B Chrome cap nuts | E Aluminum splay (white) | H Aluminum yoke | L Pivoting hanger bar |
| C Extruded aluminum lens retainer rail | F Spun aluminum end plate | J Optional horizontal radial blade baffle | M Recessed outlet box (by others) |

Finish:

Perforated or solid rolled aluminum housing. Semi-gloss white housing, end plates, yoke and canopy. Internal end plates finished black.

Painted surfaces – 6 stage pretreatment and electrostatically applied thermoset powder coat for stable, long lasting and corrosion resistant finish.

Reflector – extruded high purity aluminum with clear anodized specular finish. All luminaire hardware – stainless steel. All mounting hardware – zinc or cadmium plated.

Mounting:

Canopy mounts over recessed outlet box.

Uplight cantilever mounting assembly ordered separately; specify **X** mount. Supplied with remote ballast.

Electrical:

Use 90°C wire for supply connections.

Tungsten halogen – recessed single contact (RSC) or DC bayonet lampholders retained with patented clamping supports for maximum heat dissipation.

Metal halide – G12 lampholder for use with single ended lamp. Remote encapsulated high reactance autotransformer ballast (35W and 70W) or electronic ballast. Electronic ballast provides improved voltage regulation, energy savings and automatic shut-off feature to eliminate end-of-life lamp cycling. For complete ballast specifications, see Accessories Section.

Standard:

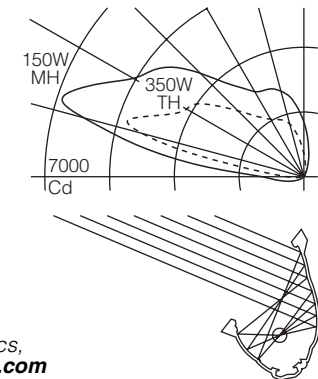
UL listed or CSA certified for damp locations (Style 120 extruded cylinder with gasketed door recommended for damp locations). 350W halogen suitable for uplight orientation only. Where pendant or cantilever may be exposed to wind, consult factory.

Features

- **KO Series** for cost conscious projects – perforated or solid housing in durable semi-gloss white powdercoat
- Round end plates – consistent profile regardless of aiming
- Regressed lens – provides substantial cutoff of brightness
- Non-corrosive construction – aluminum and stainless steel
- Compact yet powerful – up to 350W halogen, 150W MH

Performance

Two parabolic reflector sections drive light across the ceiling from one edge. An elliptical section shields the lamp from normal viewing angles and redirects its light to a parabola. Glare is minimized and asymmetry of the beam is maximized resulting in high beam efficiency and superior surface uniformity.



For complete photometrics, visit thelightingquotient.com



