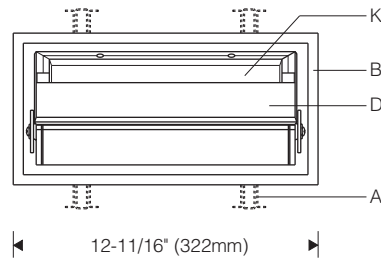
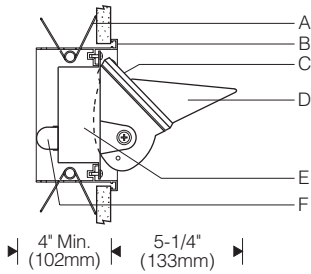
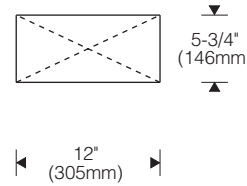


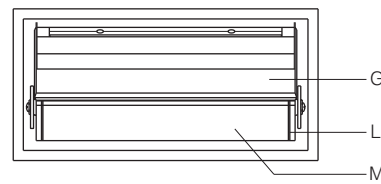
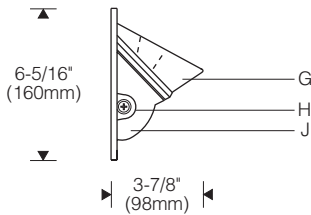
Style 203 1:8 Scale



Wall Cutout



A.D.A. Visor/Baffle



Specifications

- | | | | |
|--|---|---|---|
| A Spring clips (4 provided) | C Mitred extruded aluminum door frame with silicone gasket | F Conduit connector | K Micro-prismatic tempered glass lens |
| B Extruded aluminum mounting/trim frame | D Perforated or solid cutoff visor (included) | G Accessory visor/baffle (for A.D.A. compliance) | L Aluminum reveal plates (black) |
| | E Aluminum back box | H Aluminum yoke arms | M Specular extruded aluminum reflector |
| | | J Die-cast aluminum end plates | |

Finish:

Semi-gloss white housing, door, end plates, yoke arms, trim frame and visor with black back box. Visor available solid or perforated. Perforated visor supplied with diffusing translucent insert.

Painted surfaces – 6 stage pretreatment and electrostatically applied thermoset powder coat for stable, long lasting and corrosion resistant finish.

Reflector – extruded high purity aluminum with clear anodized specular finish. All luminaire hardware – stainless steel. All mounting hardware – zinc or cadmium plated.

Mounting:

Mounting/trim frame installs into finished wall. Clips provided for wall materials (drywall, plaster) up to 1-3/4" (44mm) thick.

Electrical:

Use 90°C wire for supply connections.

5' (1.5m) wire leads in flexible conduit exit back box for connection to accessible junction box (by others), or to remote ballast (installation prior to finished wall recommended).

Tungsten halogen – recessed single contact (RSC) or DC bayonet lampholders retained with patented clamping supports for maximum heat dissipation.

Metal halide – G12 lampholder for use with single ended lamp. Remote encapsulated high reactance autotransformer ballast (35W and 70W) or electronic ballast. Electronic ballast provides improved voltage regulation, energy savings and automatic shut-off feature to eliminate end-of-life lamp cycling. For complete ballast specifications, see Accessories Section.

Standard:

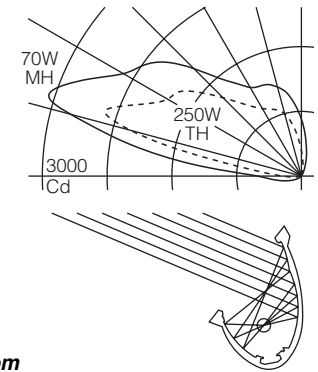
UL listed or CSA certified for damp locations.

Features

- Adjustable aiming – tailor performance to the application
- Unique semi-recessed design for unobtrusive uplighting
- Shallow recessed depth fits framed construction
- Extruded reflector – will not deform during maintenance
- Precured silicone gaskets – keep dirt and moisture out, prevent light leaks, maintain performance

Performance

Two parabolic reflector sections drive light across the ceiling from one edge. An elliptical section shields the lamp from normal viewing angles and redirects its light to a parabola. Glare is minimized and asymmetry of the beam is maximized resulting in high beam efficiency and superior surface uniformity.



For complete photometrics, visit thelightingquotient.com



