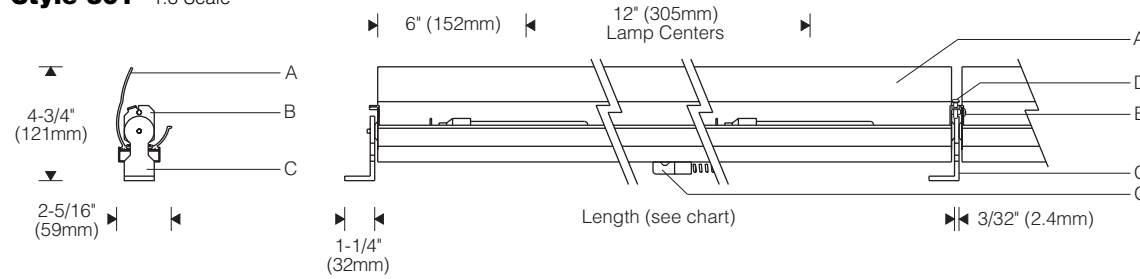
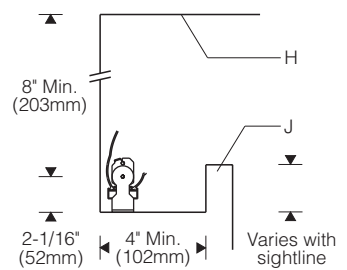


Style 301 1:8 Scale

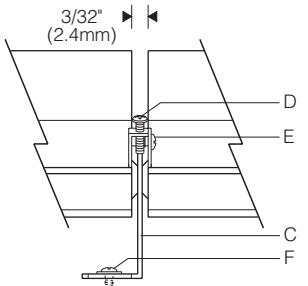


Cove



Note: Finish interior of cove matte white.

Joint 1:4 Scale



No. Lamps	Length
2	24" (610mm)
3	36" (914mm)
4	48" (1219mm)
5	60" (1524mm)
6	72" (1829mm)
7	84" (2134mm)
8	96" (2438mm)
9	108" (2743mm)
10	120" (3048mm)



Specifications

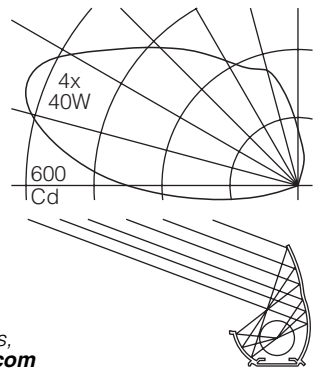
- A** Specular extruded aluminum reflector
- B** Stainless steel lamp-holder/support brackets
- C** Aluminum L-shaped mounting brackets
- D** Rotation locking screw
- E** Joiner/alignment screw
- F** Mounting fastener (by others)
- G** Flexible metal conduit with 90° connector
- H** Ceiling
- J** Architectural cove (for design guidance, see Applications Section)

Features

- Linear incandescent uplight for warm, concealed lighting for residences, retail, and executive offices
- Compact and flexible – easily concealed; dimmable
- Adjustable – all reflectors in a row join and aim together
- Create rows, fit niches of any length – 2' to 10' modules
- Durable – all parts are aluminum or stainless steel

Performance

Two parabolic reflector sections drive light across the ceiling from one edge. An elliptical section shields the lamp from normal viewing angles and redirects its light to a parabola. Glare is minimized and asymmetry of the beam is maximized resulting in high beam efficiency and superior surface uniformity.



For complete photometrics, visit thelightingquotient.com

Finish:

Reflector – extruded high purity aluminum with clear anodized specular finish. Mounting brackets – mill finish aluminum. All luminaire hardware – stainless steel.

Mounting:

L-shaped mounting brackets can be base or wall mounted. Two brackets are supplied for each reflector. Reflectors can be mounted individually or joined together to form a continuous row. When mounted in a row, one bracket supports adjacent reflectors for minimum spacing.

Reflector aiming is adjustable and is fixed in position by rotation locking screws at each mounting bracket. When mounted in a continuous row, joiner screws lock reflectors together allowing all in the row to be aimed together.

Electrical:

Use 90°C wire for supply connections. 5' (1.5m) wire leads exit bottom of reflector. One 90° connector and 4' (1.2m) of flexible metal conduit are provided.

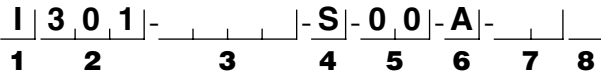
Intermediate base lampholders for use with 25W or 40W T6-1/2 frosted incandescent lamps. Lamps are spaced 12" on center.

Standard:

UL listed or CSA certified.



To form a Catalog Number



Project: _____

Type: _____

Example

I301 - 0940 - S - 00 - A - 000

Small concealed incandescent unit consisting of nine 40W T6-1/2 incandescent lamps in nominal 108" reflector. L-shaped mounting brackets. 120V. UL listed or CSA certified for U.S.

1 Source

I = Incandescent

2 Style

301 = Small concealed

3 Lamp

_____|_____|_____| = Lamp Code

Lamp Wattage, specify 25 or 40

Number of lamps per reflector, specify 02, 03, 04, 05, 06, 07, 08, 09 or 10

Example: 0640 = 72" reflector with six 40W lamps

4 Mounting

S = L-shaped brackets for base or wall mounting

5 Finish

00 = Bright anodized reflector

6 Voltage

A = 120V

7 Option (see Accessories Section for specifications)

00 = No options

0Y = Modified to comply with New York City code.

XX = For modification not listed, include detailed description. Consult factory prior to specification.

8 Destination Requirement

0 = UL listed or CSA certified for U.S.

J = UL listed or CSA certified for Canada

