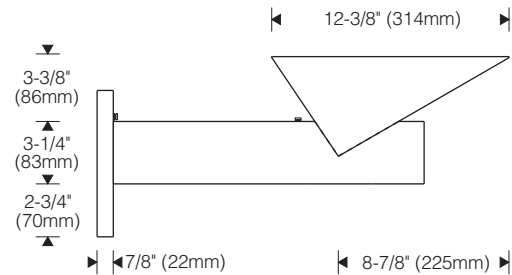
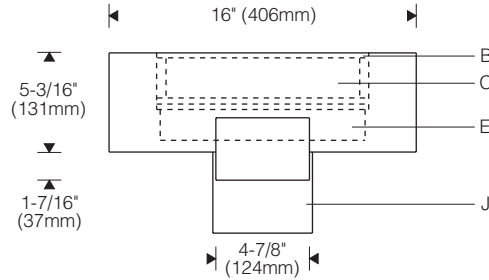
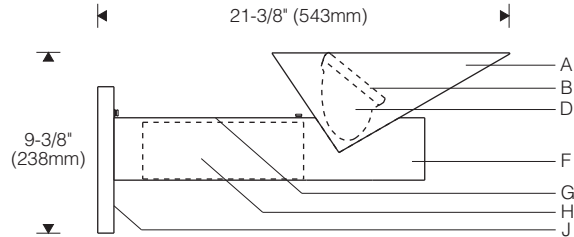
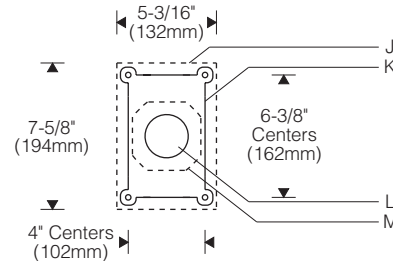


**Style 425 / 427** 1:10 Scale



**Mounting Plate**



**Specifications**

- |  |   |   |                                       |
|--|---|---|---------------------------------------|
| <b>A</b> Formed steel enclosure              | <b>D</b> Stamped aluminum end plates          | <b>G</b> Ballast access cover (metal halide only)         | <b>J</b> Cast aluminum canopy         |
| <b>B</b> Overlapping aluminum door frame     | <b>E</b> Specular extruded aluminum reflector | <b>H</b> Integral ballast compartment (metal halide only) | <b>K</b> Cast aluminum mounting plate |
| <b>C</b> Micro-prismatic tempered glass lens | <b>F</b> Formed steel arm                     |   | <b>L</b> Splice access opening        |
|  |   |   | <b>M</b> Outlet box (by others)       |

**Finish:**

Painted enclosure, arm and canopy. Bright clear anodized aluminum reflector and mill finish aluminum door and end plates.

Painted surfaces - 6 stage pretreatment and electrostatically applied thermoset powder coat for stable, long lasting and corrosion resistant finish.

Reflector - extruded high purity aluminum with clear anodized specular finish. All luminaire hardware - stainless steel.

**Mounting:**

Mounting plate fastens over recessed outlet box. Suitable backing structure required (by others).

**Electrical:**

Use 90°C wire for supply connections.

Tungsten halogen - recessed single contact (RSC) or DC bayonet lampholders retained with patented clamping supports for maximum heat dissipation.

Metal halide - G12 lampholder for use with single ended lamp. Integral high reactance autotransformer ballast (35W and 70W) or electronic ballast. Electronic ballast provides improved voltage regulation, energy savings and automatic shut-off feature to eliminate end-of-life cycling.

For complete ballast specifications, see Accessories Section.

**Standard:**

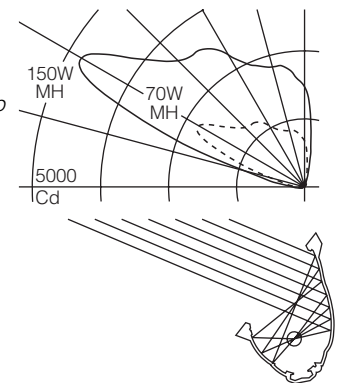
UL listed or CSA certified for damp locations. (Style 452 painted model with gasketed lens recommended for damp locations; see Outdoor Section.) Suitable for upright orientation only.

**Features**

- Distinctive geometric form houses high performance reflector and integral ballast
- Compact yet powerful - up to 150W ceramic metal halide, 350W IR halogen (equivalent to 500W)
- Cast aluminum canopy, mounting plate - easy to install
- Adjustable aiming - spring washers secure position

**Performance**

Two parabolic reflector sections drive light across the ceiling from one edge. An elliptical section shields the lamp from normal viewing angles and redirects its light to a parabola. Glare is minimized and asymmetry of the beam is maximized resulting in high beam efficiency and superior surface uniformity.



For complete photometrics, visit [www.elliptipar.com](http://www.elliptipar.com)

## To Order

**Ensconce® Flight Style 425 / 427**

### To form a Catalog Number

1	2	3	4	5	6	7	8
			-W-				


### 1 Source

M = Metal halide (Style 425)  
T = Tungsten halogen (Style 427)

### 2 Style

425 = Small **Ensconce®Flight**, integral ballast (metal halide)  
427 = Small **Ensconce®Flight** (tungsten halogen)

### 3 Lamp

Lamp Code	Wattage	Lamp Number	Voltages
Ceramic Arc Tube Pulse Start Metal Halide (80+ CRI)* 			
035G	35	CDM35/T6/830	1, 2
			A, B
070G	70	CDM70/T6/830	1, 2
			A, B
150G	150	CDM150/T6/830	1, 2
Tungsten Halogen			
0100	100	Q100DC	A
0150	150	Q150DC	A
0200	200	Q200T3	A
0250	250	Q250DC	A
0350	350	Q350T3/CL/HIR	A

For complete lamp and ballast information, see Accessories Section.  
\* Standard lamp color is 3000K / 80+ CRI.

### 4 Mounting

W = Canopy and mounting plate for attachment over recessed outlet box

Project: \_\_\_\_\_

### 5 Finish

02 = Semi-gloss white  
06 = Dark bronze\*  
07 = Silver\*  
08 = Semi-gloss black\*  
12 = Green\*  
99 = Custom RAL or computer matched color to be specified, consult sales representative

\* Non-white enclosures supplied with white finished interior surfaces. Black finished interior is available - consult factory

### 6 Voltage

Electronic  
1 = 120V  
2 = 277V  
Magnetic\*  
A = 120V  
B = 277V

\*35W or 70W Metal Halide or Tungsten Halogen (120V)

### 7 Option (see Accessories Section for specifications)

00 = No options  
0R = Style 425 metal halide with halogen standby lamp with relay. Lamp included (wattage varies).  
XX = For modification not listed, include detailed description. Consult factory prior to specification.

### 8 Standard

0 = UL, Underwriters Laboratories  
J = CSA, Canadian Standards Association

### Example

**M425 - 150G - W - 08 - 2 - 000**

Small **Ensconce®Flight** for use with 150 watt metal halide lamp. Canopy and mounting plate for recessed outlet box. Semi-gloss black enclosure, arm and canopy. Integral 277V electronic ballast. UL.

Type: \_\_\_\_\_

### Accessories

Order separately. See Accessories Section for specifications.

AFK000X \_\_\_\_\_ = Ballast fuse kit

0 = UL  
J = CSA



APG wire paper guard is available - see Accessories Section for information and consult factory.

