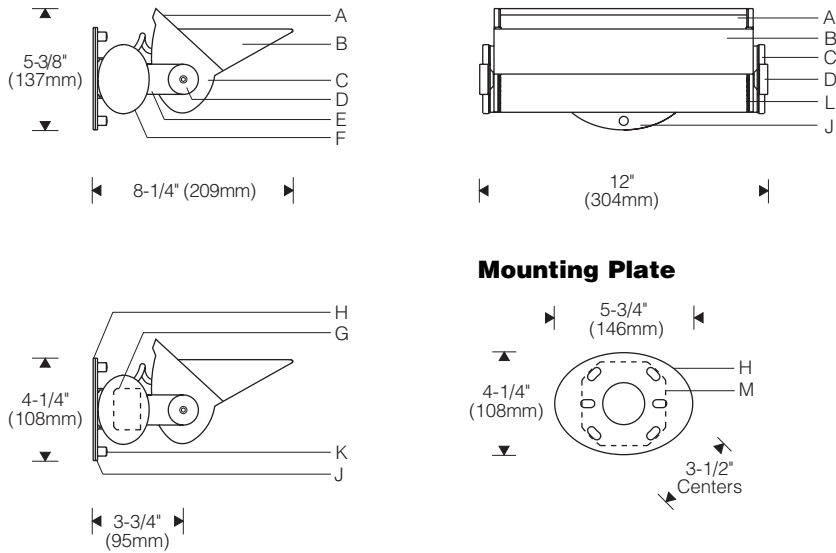


**E Mount:** 1:8 Scale



**Specifications**

- |  |   |  |  |
|--|---|--|--|
| <b>A</b> Specular extruded aluminum reflector        | <b>D</b> Machined aluminum knobs with hex head cap screws | <b>G</b> Electronic ballast                      | <b>L</b> Aluminum reveal plates (black)  |
| <b>B</b> Perforated or solid cutoff visor (included) | <b>E</b> Aluminum sidearms                                | <b>H</b> Stamped aluminum mounting plate (black) | <b>M</b> Recessed outlet box (by others) |
| <b>C</b> Die-cast aluminum end plates                | <b>F</b> Extruded aluminum ballast housing                | <b>J</b> Aluminum canopy plate                   |  |
|  |   | <b>K</b> Chrome cap nuts                         |  |

**Finish:**

*Style 105* fluted – bright clear anodized aluminum reflector. Painted end plates, ballast housing, sidearms, visor and canopy in choice of silver or semi-gloss black.

*Style 106* smooth – semi-gloss white exterior.

Visor available solid or perforated. Perforated visor supplied with diffusing translucent insert.

Painted surfaces – 6 stage pretreatment and electrostatically applied thermoset powder coat for stable, long lasting and corrosion resistant finish.

Reflector – extruded high purity aluminum with clear anodized specular finish. All luminaire hardware – stainless steel.

**Mounting:**

Mounting plate fastens over recessed outlet box. Canopy plate is secured to studs in mounting plate with cap nuts.

Uplight cantilever ordered separately; specify **X** mount.

Cantilever – 1" x 2" steel arm. Interface plate (under canopy) allows ±5° leveling.

**Electrical:**

Use 90°C wire for supply connections.

Integral HPF thermally protected electronic ballast with end-of-life protection for use with 4-pin lamp. Twist and lock lampholder allows for easy lamp installation and removal.

For dimming, see Styles 121/122 integral (available in canopy mount only).

For complete ballast specifications, see Accessories Section.

**Standard:**

UL listed or CSA certified for damp locations (Style 114 hex tube model with gasketed lens recommended for damp locations).

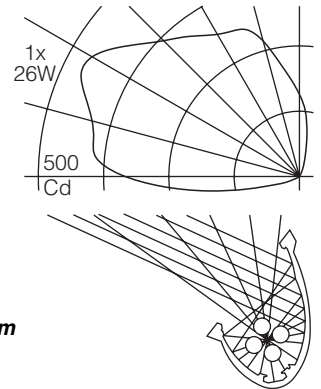
**Features**

- Unequaled low energy uplighting from CF lamps
- Integral electronic ballast – ideal incandescent substitute offers great color, long life
- Die-cast end plates join at articulated reveals; machined aluminum knobs – no exposed fasteners
- Optional perforated cutoff visor with translucent liner

**Performance**

Two parabolic reflector sections drive light across the ceiling from one edge. An elliptical section shields the lamp from normal viewing angles and redirects its light to a parabola. Glare is minimized and asymmetry of the beam is maximized resulting in high beam efficiency and superior surface uniformity.

For complete photometrics, visit [thelightingquotient.com](http://thelightingquotient.com)



**To form a Catalog Number**

F | | | | - P | 1 | 2 | 6 | - | | | - | | | - V | | | |  
 1 2 3 4 5 6 7 8

**1 Source**

F = Quad tube compact fluorescent

**2 Style**

105 = Small fluted surface, **integral** ballast  
 106 = Small smooth surface, **integral** ballast

**3 Lamp**

Lamp Code	Wattage	Lamp Number	Voltage(s)	Ballast
4-Pin Quad Tube Compact Fluorescent				
P126	26	CFQ26W/G24q	1, 2, 3	Electronic

For complete lamp and ballast information, see Accessories Section. Standard quad tube lamp color is 3000K/80+ CRI.

**4 Mounting**

E = Wall (surface) mount  
 X = For use with accessory upright cantilever mounting assembly (**order separately**)

**5 Finish**

*Style 105 Fluted*  
 Bright anodized aluminum reflector with painted end plates, sidearms, canopy and visor in choice of

- 01 = silver, solid visor
- P1 = silver, perforated visor
- 81 = semi-gloss black, solid visor
- P8 = semi-gloss black, perforated visor

*Style 106 Smooth*  
 Semi-gloss white reflector, end plates, sidearms and canopy with choice of

- 02 = solid visor finished white
- P2 = perforated visor finished white
- 99 = Custom RAL or computer matched color to be specified, consult sales representative

Project: \_\_\_\_\_

**6 Voltage/Ballast**

Electronic  
 1 = 120V  
 2 = 277V

**7 Option** (see Accessories Section for specifications)

V0 = Cutoff visor included, no other options  
 VE = **Remote** emergency battery pack. Maximum distance from battery pack to fixture is 5' (1.5m).  
 VX = For modification not listed, include detailed description. Consult factory prior to specification.

**Note:** Cutoff visor included unless specified otherwise.

**8 Destination Requirement**

0 = UL listed or CSA certified for U.S.  
 J = UL listed or CSA certified for Canada

**Example**

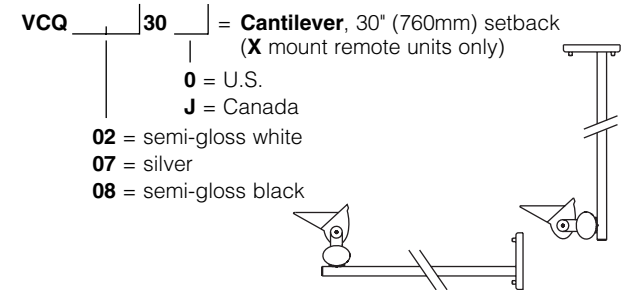
**F105 - P126 - E - P1 - 1 - V00**

Small fluted surface model for use with 26W 4-pin quad tube compact fluorescent lamp. Wall mounted with oval-shaped mounting plate. Bright reflector with silver end plates, ballast housing, sidearms and canopy. Integral 120V electronic ballast. UL listed or CSA certified for U.S. Silver perforated cutoff visor included.

Type: \_\_\_\_\_

**Accessories**

Order separately. See Accessories Section for specifications.



AFK000X | | = Ballast **fuse** kit  
 0 = U.S.  
 J = Canada

