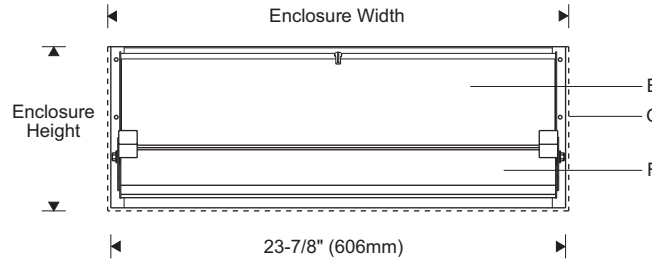
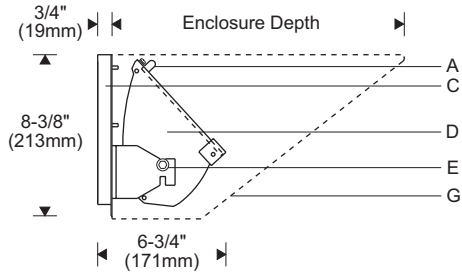
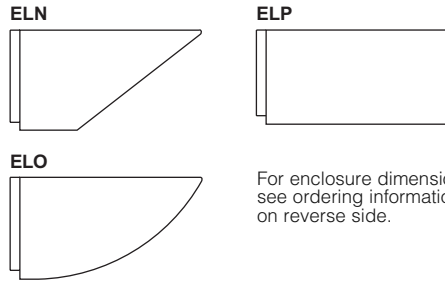


Base Unit 1:10 scale

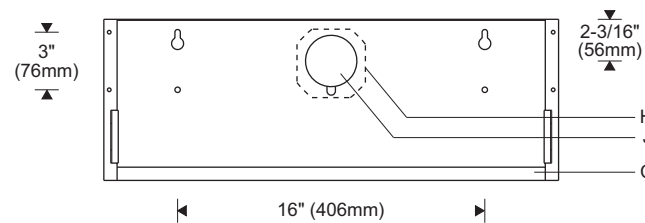


Enclosures 1:16 scale



For enclosure dimensions, see ordering information on reverse side.

Mounting Plate



Specifications

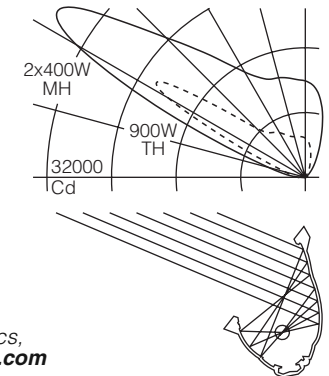
- | | | | |
|--|---|--|--------------------------------------|
| A Lens retainer clip | D Stamped specular aluminum end plates | F Specular extruded aluminum reflector | H Outlet box (by others) |
| B Lay-in micro-prismatic tempered glass lens | E Beveled spring washers | G Sconce enclosure (ordered separately) | J Removable splice access cap |
| C Aluminum yoke/mounting plate (forms reveal at wall) | | | |

Features

- Crisp geometric sconces compliment any space or design your own enclosure
- Uplighting for grand spaces – up to 1000W halogen or 2x400W metal halide for atriums, churches, malls, gyms
- Adjustable – beveled spring washers secure aiming
- Non-corrosive – base unit is aluminum and stainless steel

Performance

Two parabolic reflector sections drive light across the ceiling from one edge. An elliptical section shields the lamp from normal viewing angles and redirects its light to a parabola. Glare is minimized and asymmetry of the beam is maximized resulting in high beam efficiency and superior surface uniformity.



For complete photometrics, visit thelightingquotient.com

Finish:

Bright clear anodized aluminum reflector and end plates; black yoke/mounting plate. Enclosure finish specified separately.

Painted surfaces – 6 stage pretreatment and electrostatically applied thermoset powder coat for stable, long lasting and corrosion resistant finish.

Reflector and internal end plates – extruded high purity aluminum with clear anodized specular finish. All luminaire hardware – stainless steel.

Mounting:

Mounting plate fastens to suitable structure over recessed outlet box, and supports enclosure (ordered separately).

Standard:

UL listed or CSA certified for damp locations (Style 453 or Style 454 painted models with gasketed lens recommended for damp locations; see Outdoor section). Suitable for uplight orientation only.

Electrical:

Use 90°C wire for supply connections.

Tungsten halogen – recessed single contact (RSC) lampholders in patented clamping supports for maximum heat dissipation.

Metal halide – remote constant wattage autotransformer (CWA) or electronic ballast. Mogul lampholder is pulse rated for use with either horizontal or universal position reduced envelope pulse start lamps. End-of-lamp aligner ensures consistent optical performance.

For complete ballast specifications, see Accessories Section.

Enclosure (ordered separately):

Seam welded, ground smooth cold rolled steel. Edges are rolled to eliminate “oil canning.” Attaches to base unit forming a reveal at the wall to prevent light leaks and delineate the form. Thermoset powder coat finish.



