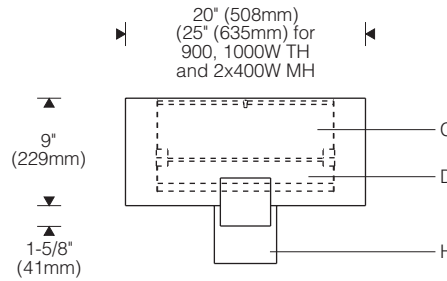
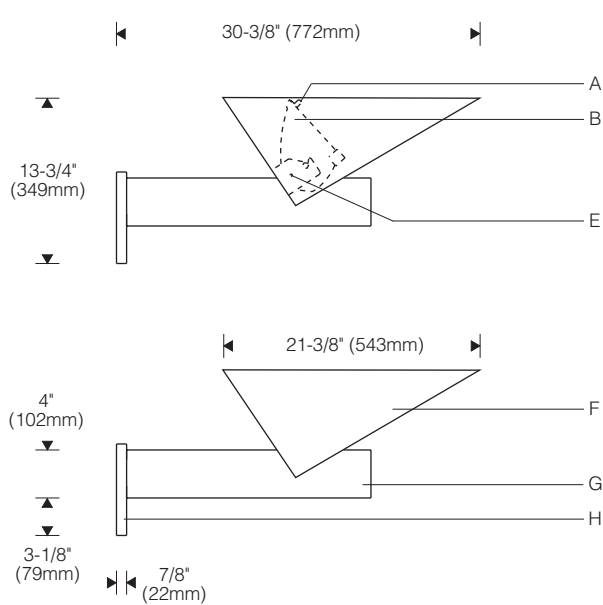
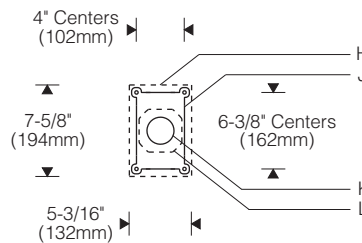




Style 429 1:16 scale



Mounting Plate



Specifications

- | | | | |
|---|---|------------------------------------|---|
| A Lens retainer clip | D Specular extruded aluminum reflector | G Formed steel mounting arm | J Die-cast aluminum mounting plate |
| B Stamped specular aluminum end plates | E Locking set screw | H Die-cast aluminum canopy | K Splice access opening |
| C Lay-in micro-prismatic tempered glass lens | F Formed steel enclosure | | L Outlet box (by others) |

Finish:

Painted enclosure, arm and canopy. Bright clear anodized aluminum reflector and end plates.

Painted surfaces – 6 stage pretreatment and electrostatically applied thermoset powder coat for stable, long lasting and corrosion resistant finish.

Reflector and internal end plates – extruded high purity aluminum with clear anodized specular finish. All luminaire hardware – stainless steel.

Mounting:

Mounting plate fastens over recessed outlet box. Suitable backing structure required (by others).

Electrical:

Use 90°C wire for supply connections.

Tungsten halogen – recessed single contact (RSC) lampholders in patented clamping supports for maximum heat dissipation.

Metal halide – remote constant wattage autotransformer (CWA) or electronic ballast. Mogul lampholder is pulse rated for use with either horizontal or universal position reduced envelope pulse start lamps. End-of-lamp aligner ensures consistent optical performance.

For complete ballast specifications, see Accessories Section.

Standard:

UL listed or CSA certified for damp locations (Style 453 painted model with gasketed lens recommended for damp locations; see Outdoor section). Suitable for upright orientation only.

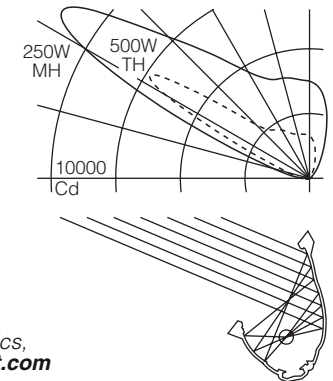
Features

- Distinctive geometric form houses high performance reflector – up to 2x400W metal halide or 1000W halogen
- Adjustable aiming – tailor performance to the application
- Lamp support on mogul base lamps ensures arc tube is in optical center
- Cast aluminum canopy and mounting plate



Performance

Two parabolic reflector sections drive light across the ceiling from one edge. An elliptical section shields the lamp from normal viewing angles and redirects its light to a parabola. Glare is minimized and asymmetry of the beam is maximized resulting in high beam efficiency and superior surface uniformity.



For complete photometrics, visit thelightingquotient.com

To Order

Ensconce® Flight Style 429

To form a Catalog Number

4
2
9
-
W
-
-
-

1
2
3
4
5
6
7
8

1 Source

M = Metal halide
T = Tungsten halogen

2 Style

429 = Large **Ensconce® Flight**, remote ballast

3 Lamp

Lamp Code	Wattage	Lamp Number	Voltages	Remote Distance
-----------	---------	-------------	----------	-----------------

Ceramic Arc Tube Pulse Start Metal Halide (90+ CRI) 


210C	210	CDM210/T9/930/U/E	2, U	30' (9m)
315C	315	CDM315/T9/930/U/E	2, U	30' (9m)

Ceramic Arc Tube Pulse Start Metal Halide (80+ CRI)*  

150G	150	CDM150/T6/830	1, 2	15' (4.5m)
			T, U	5' (1.5m)
250C	250	CMH250/U/830/R	A, B	50' (15m)
400C	400	CMH400/U/830/R	A, B	50' (15m)
240C	2x400	(2) CMH400/U/830/R	A, B	50' (15m)

Quartz Arc Tube Pulse Start Metal Halide (68 CRI)* 

250P	250	MS 250W/H75/T15/PS/740	A, B	50' (15m)
			2, U	16' (4.8m)
320P	320	MS 320W/H75/T15/S/PS/740	A, B	50' (15m)
			2, U	16' (4.8m)
350P	350	MS 350W/H75/T15/PS/740	A, B	50' (15m)
			2, U	16' (4.8m)

Tungsten Halogen 

0300	300	Q300T3	A
0350	350	Q350T3/CL/HIR	A
0500	500	Q500T3	A
0900	900	Q900T3/CL/HIR	B, G
1000	1000	Q1000T3	F, G

For complete lamp and ballast information, see Accessories Section.
* Use only clear metal halide horizontal or universal position lamp with compact envelope. Standard lamp colors are 3000K for Ceramic Arc Tube Pulse Start lamps and 4000K for Quartz Arc Tube Pulse Metal Halide lamps.

Project: _____

4 Mounting

W = Mounting plate for attachment to suitable structure over recessed outlet box

5 Finish

02 = Semi-gloss white
06 = Dark bronze*
07 = Silver*
08 = Semi-gloss black*
12 = Green*

99 = Custom RAL or computer matched color to be specified, consult sales representative

* Non-white enclosures supplied with white finished interior surfaces. Black finished interior is available – consult factory.

6 Voltage/Ballast

Electronic (Metal Halide only)

1 = 120V

2 = 277V

T = 120V dim*

U = 208-277V dim*

Magnetic and Tungsten Halogen

A = 120V

B = 277V

F = 220V (1000W T.H. only)

G = 240V (900, 1000W T.H. only)

*100-50% dimming, 0-10V compatible controls by others. Consult factory for dimming the 210W lamp.

7 Option (see Accessories Section for specifications)

00 = No options

0R = Halogen standby lamp with relay field connected at remote ballast. 100W maximum (lamp included). Not available for 2x400W metal halide.

XX = For modification not listed, include detailed description. Consult factory prior to specification.

8 Destination Requirement

0 = UL listed or CSA certified for U.S.

J = UL listed or CSA certified for Canada

Example

M429 - 400C - W - 00 - B - 000

Large **Ensconce® Flight** with 400 watt ceramic arc tube pulse start metal halide lamps. Mounting plate fastens to suitable structure over recessed outlet box. Semi-gloss black enclosure, arm and canopy. Remote 277V ballast. UL listed or CSA certified for U.S.

Type: _____

Accessories

Order separately. See Accessories Section for specifications.

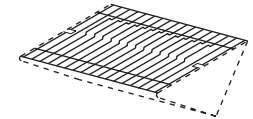
AFK000X _____ = Ballast fuse kit

0 = U.S.

J = Canada



APG00070 = 17" wire paper guard
APG00080 = 24" wire paper guard



elliptipar®
there is no equal™ 

elliptipar from **The Lighting Quotient**
114 Boston Post Road, West Haven, Connecticut 06516, USA
Voice 203.931.4455 • Fax 203.931.4464 • thelightingquotient.com

Certain products illustrated may be covered by applicable patents and patents pending. These specifications supersede all prior publications and are subject to change without notice. Copyright © 2011 Sylvan R. Shemitz Designs, Inc., all rights reserved.