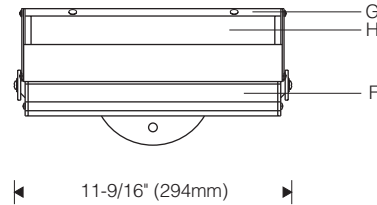
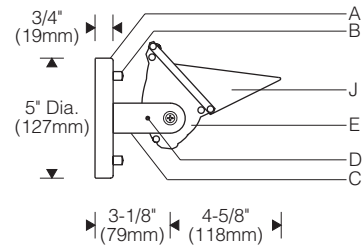
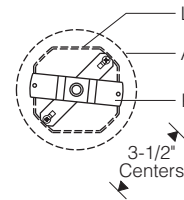


E Mount 1:8 Scale



Canopy



Specifications

- | | | | |
|----------------------------|---|--|--|
| A Aluminum canopy | E Contoured aluminum end plates | G Overlapping aluminum door frame | J Cutoff visor (included) |
| B Chrome cap nuts | F Specular extruded aluminum reflector | H Micro-prismatic tempered glass lens | K Pivoting hanger bar |
| C Aluminum yoke | | | L Recessed outlet box (by others) |
| D Locking set screw | | | |

Finish:

Bright clear anodized aluminum reflector with semi-gloss black door frame, end plates, yoke, canopy and visor or all parts semi-gloss white.

Painted surfaces – 6 stage pretreatment and electrostatically applied thermoset powder coat for stable, long lasting and corrosion resistant finish.

Reflector – extruded high purity aluminum with clear anodized specular finish. All luminaire hardware – stainless steel. All mounting hardware – zinc or cadmium plated.

Mounting:

Canopy mounts over recessed outlet box.

Uplight pendant (back-to-back) or cantilever mounting assembly ordered separately; specify **X** mount. Supplied with **remote** ballast.

Electrical:

Use 90°C wire for supply connections.

Tungsten halogen – recessed single contact (RSC) or DC bayonet lampholders retained with patented clamping supports for maximum heat dissipation.

Metal halide – G12 lampholder for use with single ended lamp. Remote encapsulated high reactance autotransformer ballast (35W and 70W) or electronic ballast. Electronic ballast provides improved voltage regulation, energy savings and automatic shut-off feature to eliminate end-of-life lamp cycling.

For complete ballast specifications, see Accessories Section.

Standard:

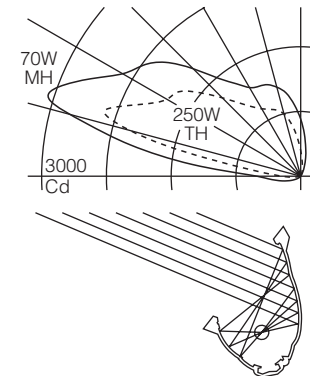
UL listed or CSA certified for damp locations (Style 102 painted model with gasketed lens recommended for damp locations). Where pendant or cantilever may be exposed to wind, consult factory.

Features

- **KO Series** – high performance uplighting for cost conscious projects
- Compact yet powerful – up to 250W halogen, 150W MH
- Extruded reflector – will not deform during maintenance
- Non-corrosive construction – aluminum and stainless steel
- No light leaks – overlapping door; sealed end plates

Performance

Two parabolic reflector sections drive light across the ceiling from one edge. An elliptical section shields the lamp from normal viewing angles and redirects its light to a parabola. Glare is minimized and asymmetry of the beam is maximized resulting in high beam efficiency and superior surface uniformity.



For complete photometrics, visit www.elliptipar.com

elliptipar

