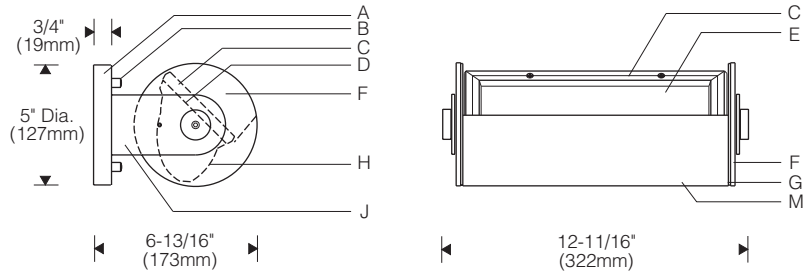
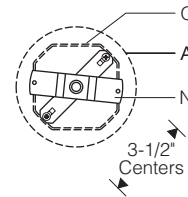


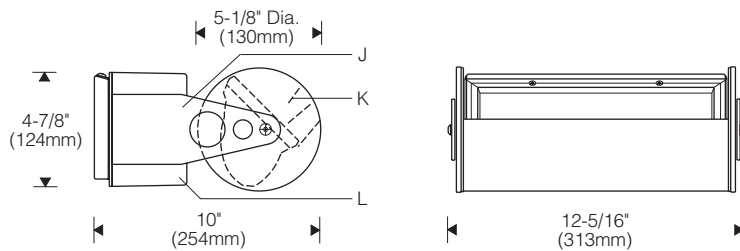
**Style 120** 1:8 Scale



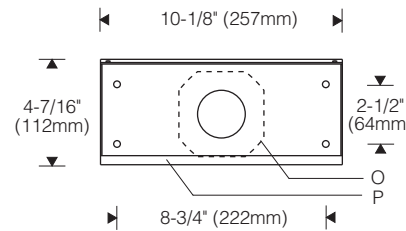
**Canopy**



**Style 123** 1:8 Scale



**Mounting Plate**



**Specifications**

- |  |  |  |  |
|--|--|--|--|
| <b>A</b> Aluminum canopy                     | <b>E</b> Micro-prismatic tempered glass lens | <b>H</b> Specular extruded aluminum reflector    | <b>M</b> Extruded aluminum cylindrical housing   |
| <b>B</b> Chrome cap nuts                     | <b>F</b> 3/16" aluminum end plates           | <b>J</b> Aluminum yoke                           | <b>N</b> Pivoting hanger bar                     |
| <b>C</b> Mitred extruded aluminum door frame | <b>G</b> Aluminum reveal plates (black)      | <b>K</b> Optional horizontal radial blade baffle | <b>O</b> Outlet box (by others)                  |
| <b>D</b> Silicone door and lens gasket       |  | <b>L</b> Die-cast ballast housing                | <b>P</b> Formed steel latch/hinge mounting plate |

**Finish:**

Semi-gloss white exterior, end plates, door frame, yoke and canopy. Black reveal plates (and mounting plate on Style 123).

Painted surfaces – 6 stage pretreatment and electrostatically applied thermoset powder coat for stable, long lasting and corrosion resistant finish.

Reflector – extruded high purity aluminum with clear anodized specular finish. All luminaire hardware – stainless steel. All mounting hardware – zinc or cadmium plated.

**Mounting:**

*Style 120* – canopy mounts over recessed outlet box.

Uplight cantilever mounting assembly ordered separately; specify **X** mount (Style 120 only).

*Style 123* – latch/hinge mounting plate fastens over recessed outlet box. Suitable backing structure required (by others). Fixture hinges on wall plate for hands-free access to splices.

**Electrical:**

Use 90°C wire for supply connections.

Tungsten halogen (Style 120) – recessed single contact (RSC) or DC bayonet lampholders retained with patented clamping supports for maximum heat dissipation.

Metal halide – G12 lampholder for use with single ended lamp. Open core and coil HRX autotransformer ballast (35W and 70W) or electronic ballast. Electronic ballast provides improved voltage regulation, energy savings and automatic shut-off feature to eliminate end-of-life lamp cycling.

For complete ballast specifications, see Accessories Section.

**Standard:**

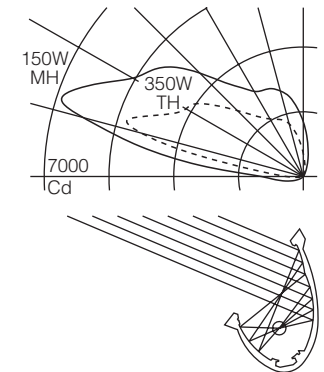
UL listed or CSA certified for damp locations. 350W halogen suitable for uplight orientation only. Where pendant or cantilever may be exposed to wind, consult factory.

**Features**

- Extruded cylindrical housing encloses the rigid reflector
- 3/16" aluminum end plate joins at articulated black reveal
- Round end plates – consistent profile regardless of aiming
- Precured silicone gaskets – keep dirt and moisture out, prevent light leaks, maintain performance
- Compact yet powerful – up to 350W halogen, 150W MH

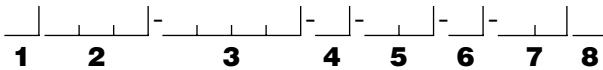
**Performance**

Two parabolic reflector sections drive light across the ceiling from one edge. An elliptical section shields the lamp from normal viewing angles and redirects its light to a parabola. Glare is minimized and asymmetry of the beam is maximized resulting in high beam efficiency and superior surface uniformity.



For complete photometrics, visit [www.elliptipar.com](http://www.elliptipar.com)

To form a Catalog Number



**1 Source**

M = Metal halide  
T = Tungsten halogen

**2 Style**

120 = Small cylinder, remote ballast  
123 = Small cylinder, integral ballast

**3 Lamp**

Lamp Code	Wattage	Lamp Number	Voltages	Remote Distance
Ceramic Arc Tube Pulse Start Metal Halide (80+ CRI)*				
035G	35	CDM35/T6/830	1, 2	15' (4.5m)
			A, B	10' (3m)
070G	70	CDM70/T6/830	1, 2	15' (4.5m)
			A, B	20' (6m)
150G	150	CDM150/T6/830	1, 2	15' (4.5m)
Tungsten Halogen				
0100	100	Q100DC	A	
0150	150	Q150DC	A	
0200	200	Q200T3	A	
0250	250	Q250DC	A	
0350	350	Q350T3/CL/HIR	A	

For complete lamp and ballast information, see Accessories Section.  
\* Standard lamp color is 3000K / 80+ CRI.

**4 Mounting**

Style 120

E = External yoke on canopy  
X = External yoke for use with accessory cantilever mounting assembly (order separately). For use in natatorium (pool), consult factory.

Style 123

W = Latch/hinge mounting plate for recessed outlet box

Project: \_\_\_\_\_

**5 Finish**

02 = Semi-gloss white  
99 = Custom RAL or computer matched color to be specified, consult sales representative

**6 Voltage/Ballast**

<i>Electronic</i>	<i>Magnetic**</i>
1 = 120V	A = 120V
2 = 277V	B = 277V
T = 120V dim* (M123 only)	
U = 208-277V dim* (M123 only)	

\*100-50% dimming, 0-10V compatible controls by others.  
\*\*35W or 70W Metal Halide or Tungsten Halogen (120V).

**7 Option** (see Accessories Section for specifications)

00 = No options  
0B = Internal horizontal radial blade baffle, matte black. Provides horizontal cutoff of lens brightness when maximum candlepower is aimed 35° above horizontal.  
0H = Long distance remote ballast (encapsulated magnetic ballast for 35 and 70W only), 35W: 15' min. up to 50' max. (4.5m - 15m), 70W: up to 50' max. (15m)  
0P = Natatorium (pool) use, Style 123 integral ballast or Style 120 tungsten halogen or metal halide with remote ballast located outside the pool environment  
0Q = Natatorium (pool) use, Style 120 metal halide with remote ballast located within the pool environment  
0R = Halogen standby lamp with relay. Relay is field connected at remote ballast for Style 120, integral for Style 123. Lamp included (wattage varies).  
XX = For modification not listed, include detailed description. Consult factory prior to specification.

**8 Destination Requirement**

0 = UL listed or CSA certified for U.S.  
J = UL listed or CSA certified for Canada

**Example**

**M120 - 070G - E - 02 - 2 - 0B0**

Small enclosed cylinder for use with 70 watt metal halide lamp. Mounted with external yoke on canopy. Semi-gloss white. Remote 277V electronic ballast. Horizontal radial blade baffle. UL listed or CSA certified for U.S.

Type: \_\_\_\_\_

**Accessories**

Order separately. See Accessories Section for specifications.

VCL0236 = Cantilever, 36" (915mm) setback, semi-gloss white, **Style 120 only**  
0 = U.S.  
J = Canada

ACF = Stripped glass color filter, integral to door frame.  
**Maximum 200W TH, 70W CMH.**  
Consult factory for complete specifications and ordering information.

AFK000X = Ballast fuse kit  
0 = U.S.  
J = Canada

