

Packaged Items:

- (1) A101 ambient luminaire.
- (4) Resilient self-stick mounting pads (rear cord exit models only).
- (4) Factory installed riser feet (bottom cord exit models only).
- (4) Adhesive cord management clips.

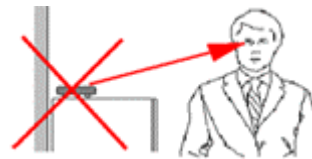
Required Tools:

None.

Application Notes:



A mounting height of 68" (1.73 m) to the top of the luminaire will accommodate 95% of the population without noticeable brightness.



Caution: To avoid discomfort glare, do not install these units below standing eye height.

Note: When luminaires are installed with a mounting accessory, follow the installation instructions provided with the mounting accessory instead of these instructions.

CONFIDENTIAL PROPRIETARY INFORMATION

The information herein is of a proprietary nature and is submitted in confidence for the use by our clients, customers, or vendors only. Unauthorized reproduction, publication, distribution, or dissemination, in whole or in part, is expressly prohibited. The information contained herein is and remains the property of Tambient and receipt or possession of this information confers no right in or license to or disclose to others the subject matter contained herein for any but authorized purposes. All rights reserved. Copyright © 2010 Sylvan R. Shemitz Designs, Inc.

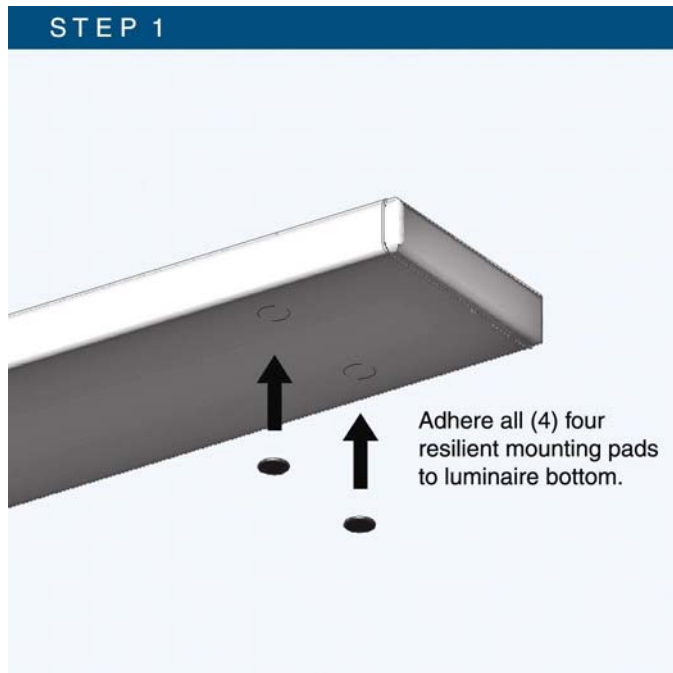
Installation Instructions:

Mounting Method #1: Luminaire with bottom cord exit (riser feet)



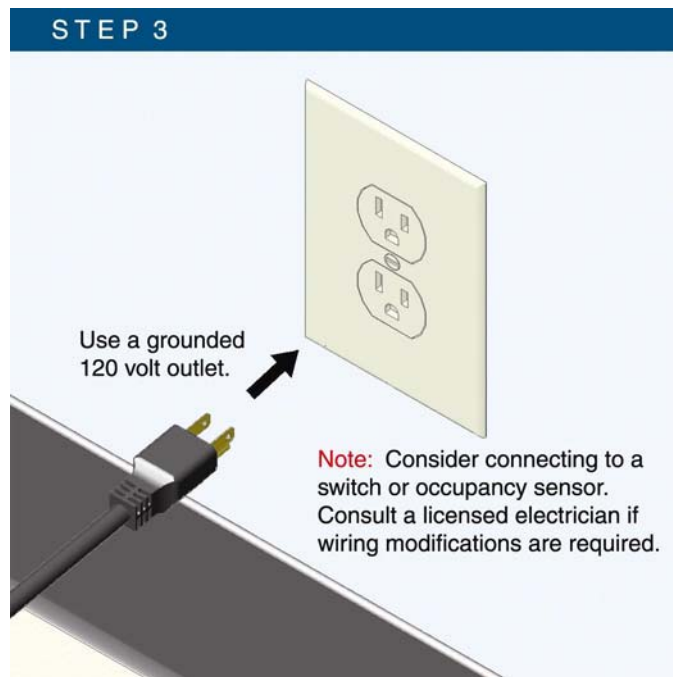
Go to Page 3 (Step 3)

Mounting Method #2: Luminaires with rear cord exit (adhesive pads)



CONFIDENTIAL PROPRIETARY INFORMATION

The information herein is of a proprietary nature and is submitted in confidence for the use by our clients, customers, or vendors only. Unauthorized reproduction, publication, distribution, or dissemination, in whole or in part, is expressly prohibited. The information contained herein is and remains the property of Tambient and receipt or possession of this information confers no right in or license to or disclose to others the subject matter contained herein for any but authorized purposes. All rights reserved. Copyright © 2010 Sylvan R. Shemitz Designs, Inc.



CONFIDENTIAL PROPRIETARY INFORMATION

The information herein is of a proprietary nature and is submitted in confidence for the use by our clients, customers, or vendors only. Unauthorized reproduction, publication, distribution, or dissemination, in whole or in part, is expressly prohibited. The information contained herein is and remains the property of Tambient and receipt or possession of this information confers no right in or license to or disclose to others the subject matter contained herein for any but authorized purposes. All rights reserved. Copyright © 2010 Sylvan R. Shemitz Designs, Inc.