

Packaged Items:

- (1) TMF file light riser.
- (4) Adhesive cord management clips.

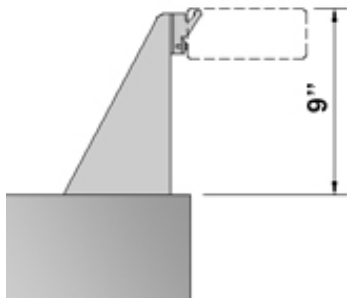
Required Additional Items:

Tambient luminaire with mounting slot.
Mounting screws, blocking as needed.

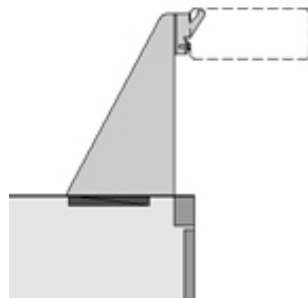
Required Tools:

Small torpedo level, tape measure, #2 Phillips screwdriver, drill.

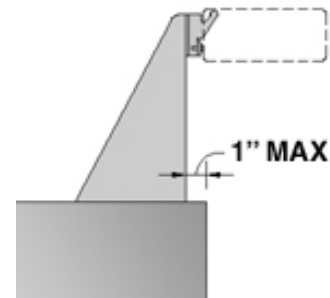
Application Notes:



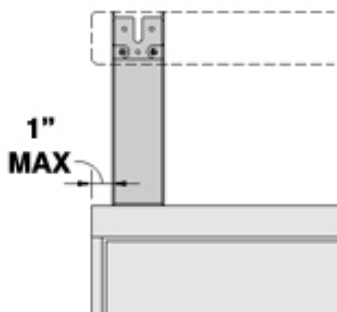
Standard File Light Risers mount the luminaire 9" above the mounting surface.



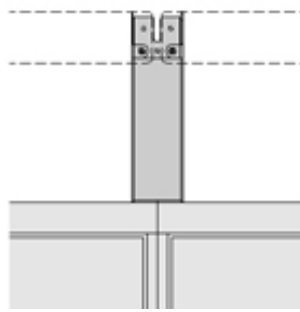
When attaching directly to a metal file cabinet, interior blocking (by others) may be required.



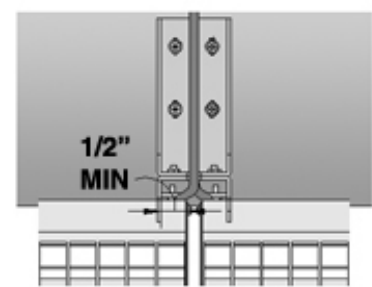
Install File Light Riser a maximum of 1" from the front surface edge.



For best results, locate the file light riser within 1" of the cabinet side panel.



One File Light Riser can be used to support the ends of 2 luminaires.



On tandem installations, each luminaire must extend at least 1/2" (13mm) beyond the mounting hook for proper cord management.

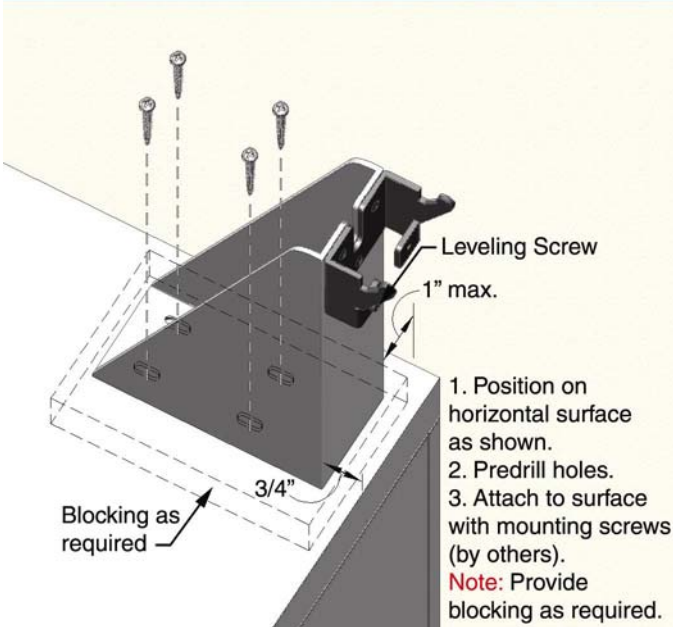
Note: For task ambient luminaires, the top of the luminaire should be mounted between 57" and 67" above the finished floor.

CONFIDENTIAL PROPRIETARY INFORMATION

The information herein is of a proprietary nature and is submitted in confidence for the use by our clients, customers, or vendors only. Unauthorized reproduction, publication, distribution, or dissemination, in whole or in part, is expressly prohibited. The information contained herein is and remains the property of Tambient and receipt or possession of this information confers no right in or license to or disclose to others the subject matter contained herein for any but authorized purposes. All rights reserved. Copyright © 2010 Sylvan R. Shemitz Designs, Inc.

Installation Instructions:

STEP 1

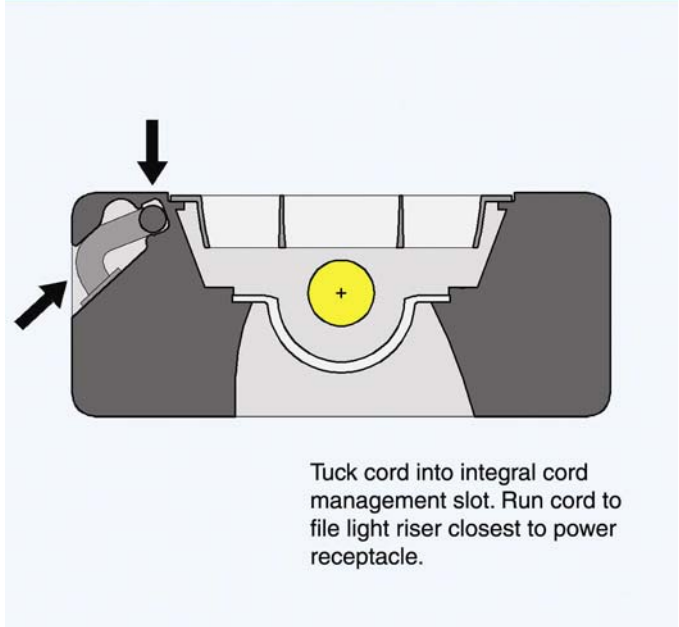


Leveling Screw
1" max.
3/4"
Blocking as required

1. Position on horizontal surface as shown.
2. Pre-drill holes.
3. Attach to surface with mounting screws (by others).

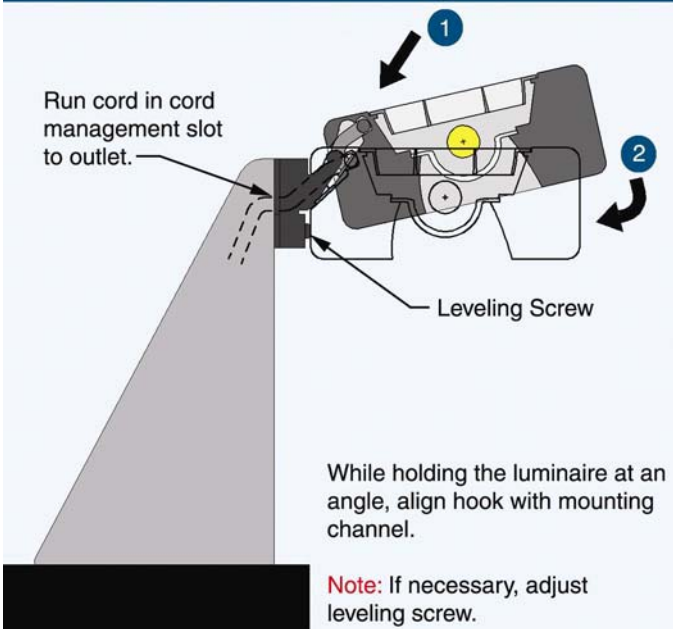
Note: Provide blocking as required.

STEP 2



Tuck cord into integral cord management slot. Run cord to file light riser closest to power receptacle.

STEP 3

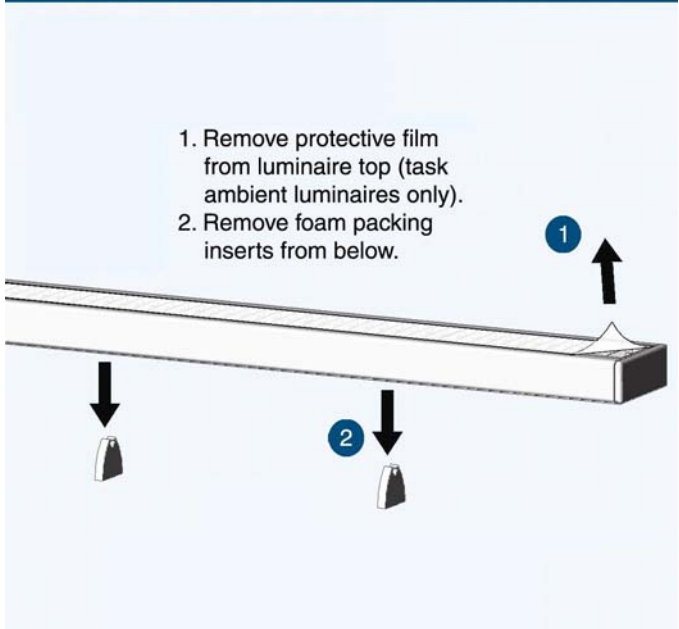


Run cord in cord management slot to outlet.
Leveling Screw

While holding the luminaire at an angle, align hook with mounting channel.

Note: If necessary, adjust leveling screw.

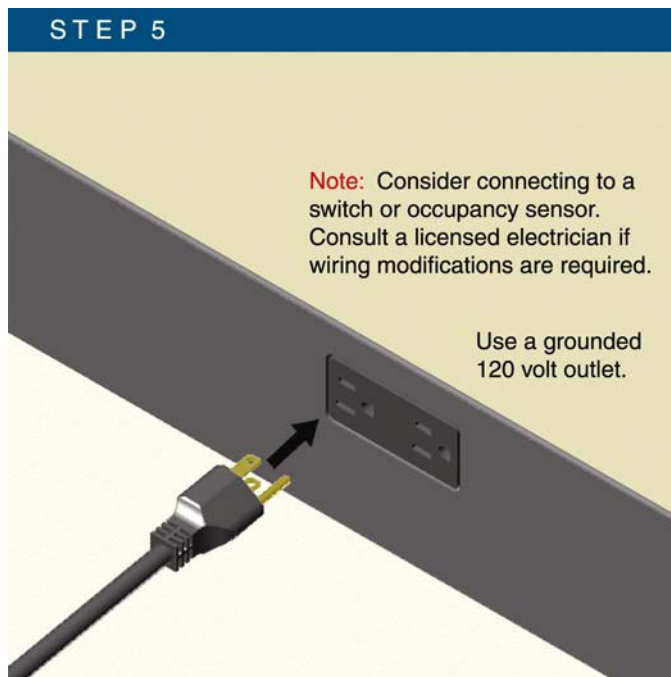
STEP 4



1. Remove protective film from luminaire top (task ambient luminaires only).
2. Remove foam packing inserts from below.

CONFIDENTIAL PROPRIETARY INFORMATION

The information herein is of a proprietary nature and is submitted in confidence for the use by our clients, customers, or vendors only. Unauthorized reproduction, publication, distribution, or dissemination, in whole or in part, is expressly prohibited. The information contained herein is and remains the property of Tambient and receipt or possession of this information confers no right in or license to or disclose to others the subject matter contained herein for any but authorized purposes. All rights reserved. Copyright © 2010 Sylvan R. Shemitz Designs, Inc.



CONFIDENTIAL PROPRIETARY INFORMATION

The information herein is of a proprietary nature and is submitted in confidence for the use by our clients, customers, or vendors only. Unauthorized reproduction, publication, distribution, or dissemination, in whole or in part, is expressly prohibited. The information contained herein is and remains the property of Tambient and receipt or possession of this information confers no right in or license to or disclose to others the subject matter contained herein for any but authorized purposes. All rights reserved. Copyright © 2010 Sylvan R. Shemitz Designs, Inc.