

Packaged Items:

TRP01

- (2) Stems.
- (2) Base plates.

TRP02

- (4) Stems.
 - (2) Base plates.
- (4) Adhesive cord management clips.

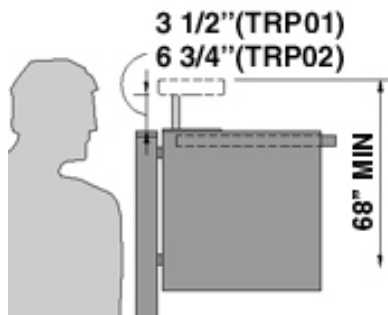
Required Additional Items:

Tambient A series luminaire.
Mounting screws, blocking as needed.

Required Tools:

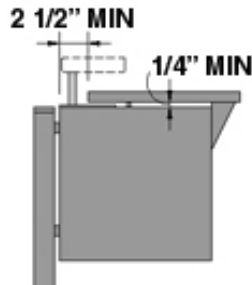
#2 Phillips screwdriver.

Application Notes:



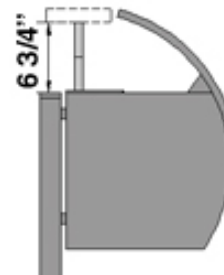
Use Riser Posts to mount luminaire at minimum mounting height when storage bin is too low.

Caution: Use adhesive mounting pads (provided) or mounting screws (by others) to anchor the riser posts.



Riser posts provide additional clearance for doors that store on top of the storage bin.

Note: Door glides (by others) may be necessary for base plate clearance.



Use model TRP02 riser post to prevent raised storage door from obstructing the uplight.

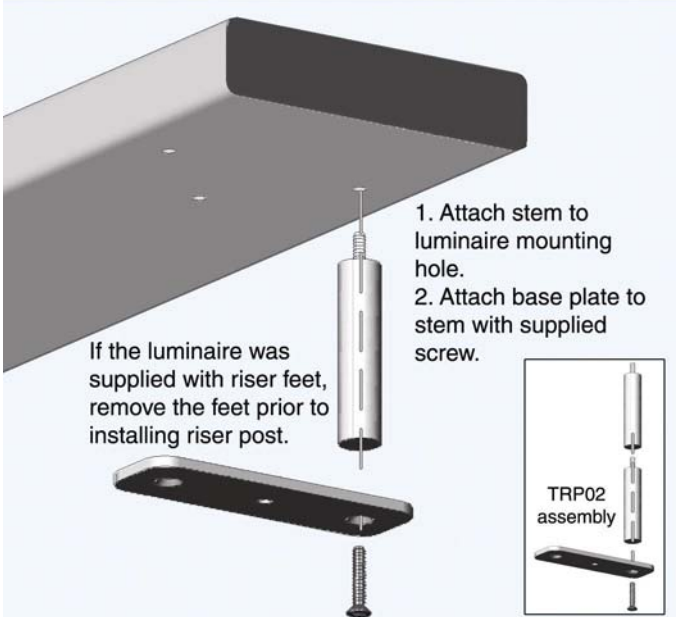
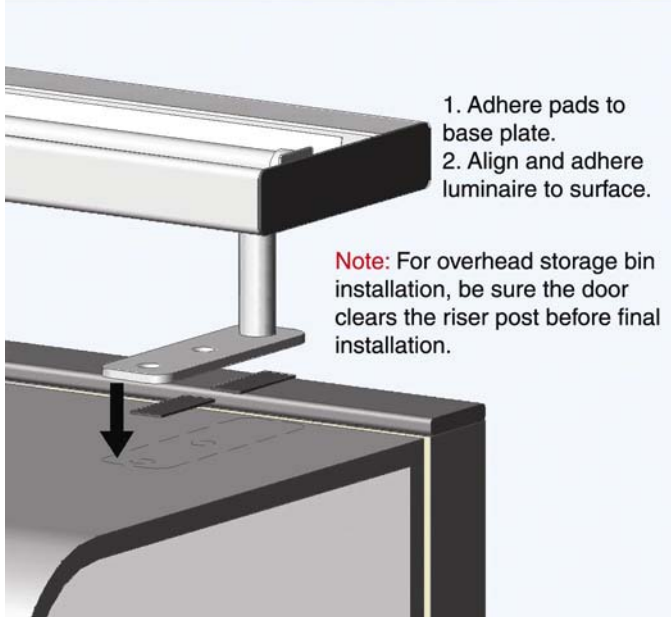
Note: TRP02 must be anchored with mounting screws (by others).

CONFIDENTIAL PROPRIETARY INFORMATION

The information herein is of a proprietary nature and is submitted in confidence for the use by our clients, customers, or vendors only. Unauthorized reproduction, publication, distribution, or dissemination, in whole or in part, is expressly prohibited. The information contained herein is and remains the property of Tambient and receipt or possession of this information confers no right in or license to or disclose to others the subject matter contained herein for any but authorized purposes. All rights reserved. Copyright © 2010 Sylvan R. Shemitz Designs, Inc.

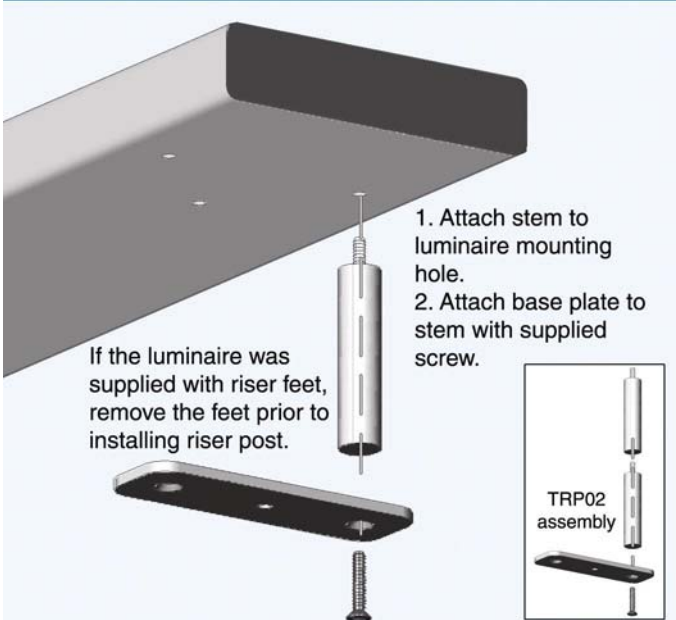
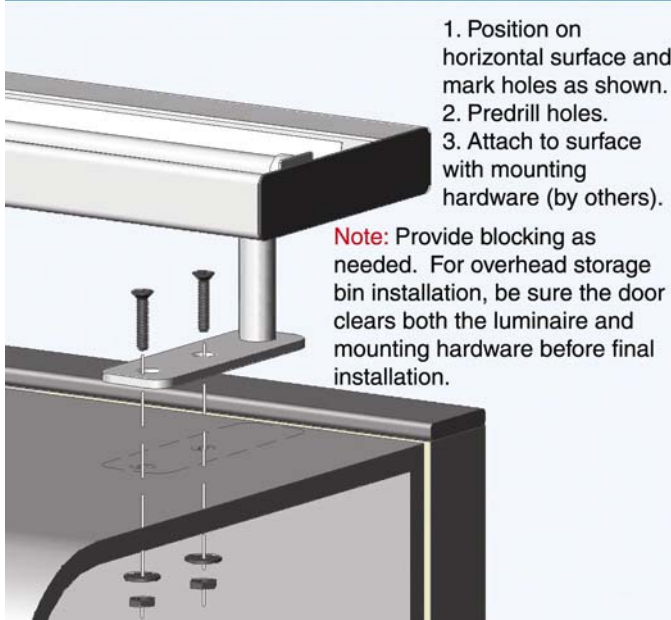
Installation Instructions:

Mounting Method #1: Adhesive pads

STEP 1	STEP 2
 <p>1. Attach stem to luminaire mounting hole. 2. Attach base plate to stem with supplied screw.</p> <p>If the luminaire was supplied with riser feet, remove the feet prior to installing riser post.</p> <p>TRP02 assembly</p>	 <p>1. Adhere pads to base plate. 2. Align and adhere luminaire to surface.</p> <p>Note: For overhead storage bin installation, be sure the door clears the riser post before final installation.</p>

Go to Page 3 (Step 3)

Mounting Method #2: Screw down

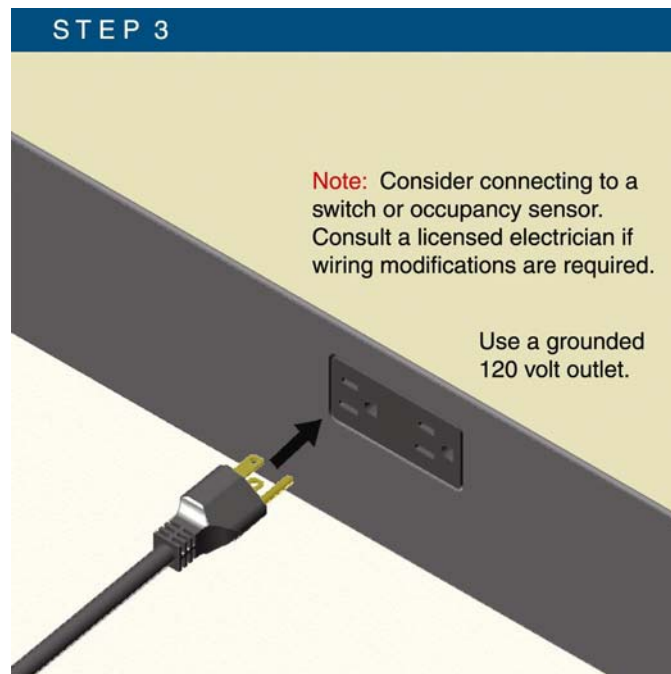
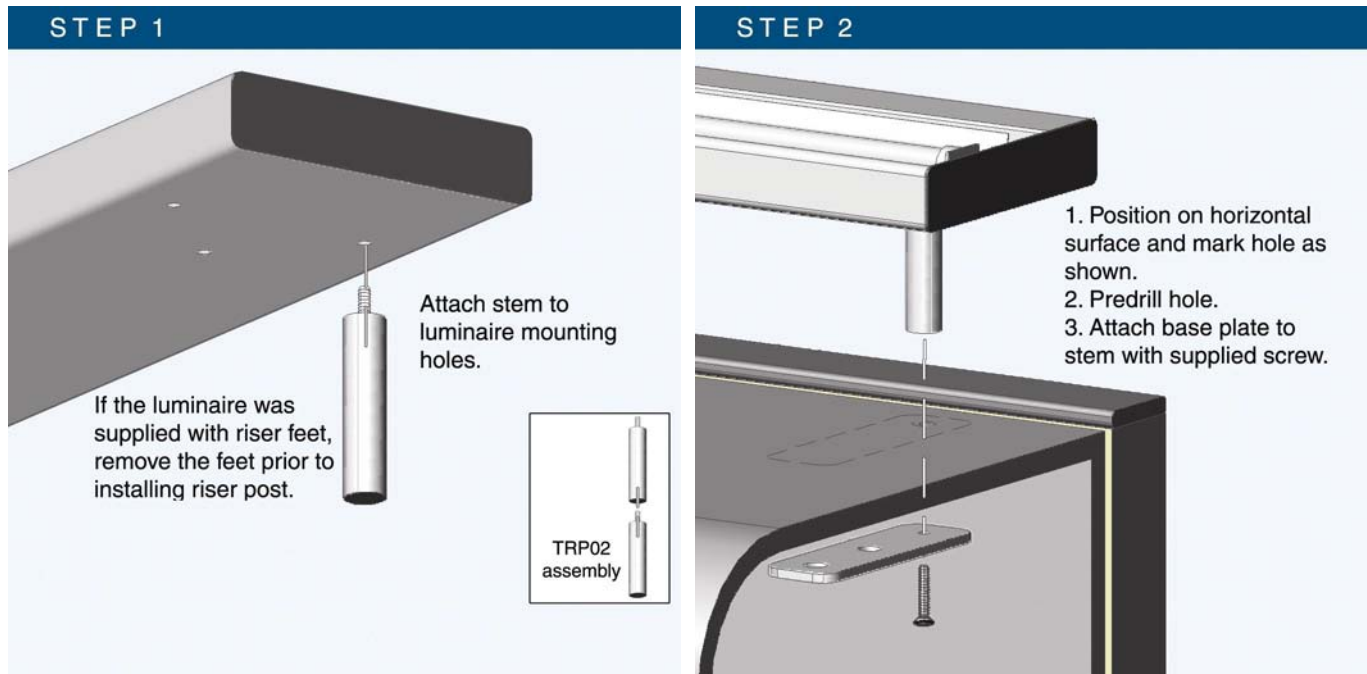
STEP 1	STEP 2
 <p>1. Attach stem to luminaire mounting hole. 2. Attach base plate to stem with supplied screw.</p> <p>If the luminaire was supplied with riser feet, remove the feet prior to installing riser post.</p> <p>TRP02 assembly</p>	 <p>1. Position on horizontal surface and mark holes as shown. 2. Predrill holes. 3. Attach to surface with mounting hardware (by others).</p> <p>Note: Provide blocking as needed. For overhead storage bin installation, be sure the door clears both the luminaire and mounting hardware before final installation.</p>

Go to Page 3 (Step 3)

CONFIDENTIAL PROPRIETARY INFORMATION

The information herein is of a proprietary nature and is submitted in confidence for the use by our clients, customers, or vendors only. Unauthorized reproduction, publication, distribution, or dissemination, in whole or in part, is expressly prohibited. The information contained herein is and remains the property of Tambient and receipt or possession of this information confers no right in or license to or disclose to others the subject matter contained herein for any but authorized purposes. All rights reserved. Copyright © 2010 Sylvan R. Shemitz Designs, Inc.

Mounting Method #3: Concealed base plate



CONFIDENTIAL PROPRIETARY INFORMATION

The information herein is of a proprietary nature and is submitted in confidence for the use by our clients, customers, or vendors only. Unauthorized reproduction, publication, distribution, or dissemination, in whole or in part, is expressly prohibited. The information contained herein is and remains the property of Tambient and receipt or possession of this information confers no right in or license to or disclose to others the subject matter contained herein for any but authorized purposes. All rights reserved. Copyright © 2010 Sylvan R. Shemitz Designs, Inc.