

Packaged Items:

- (2) TSB bridge stanchions.
- (4) Adhesive cord management clips.

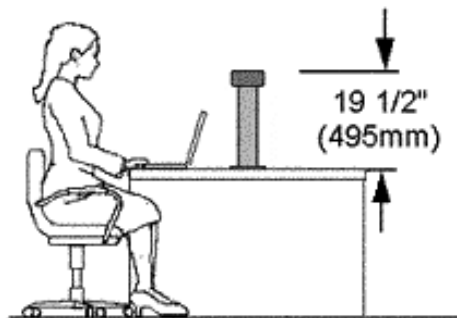
Required Additional Items:

- Tambient luminaire (L204 shown).
- Mounting screws as needed.

Required Tools:

- Soft cloth, tape measure, slotted screwdriver, #2 Phillips screwdriver.
- OPTIONAL:* drill with 1-1/2" hole saw.

Application Notes:



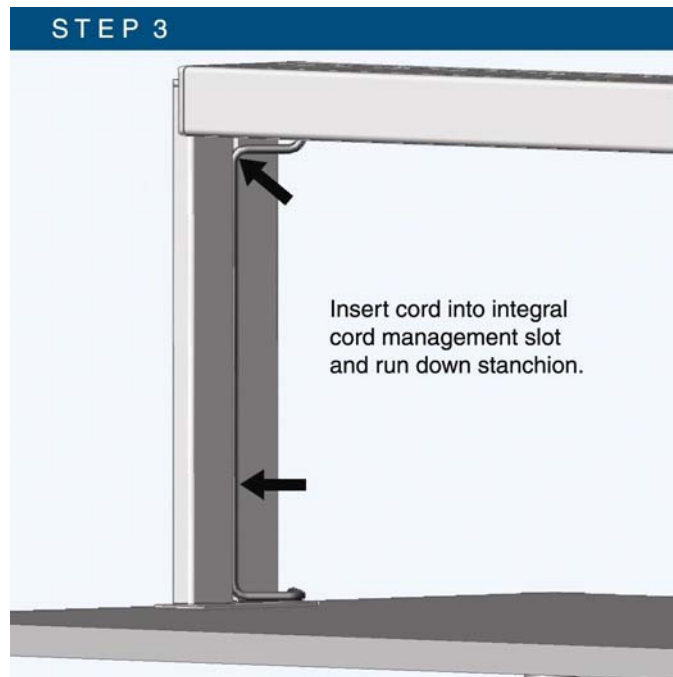
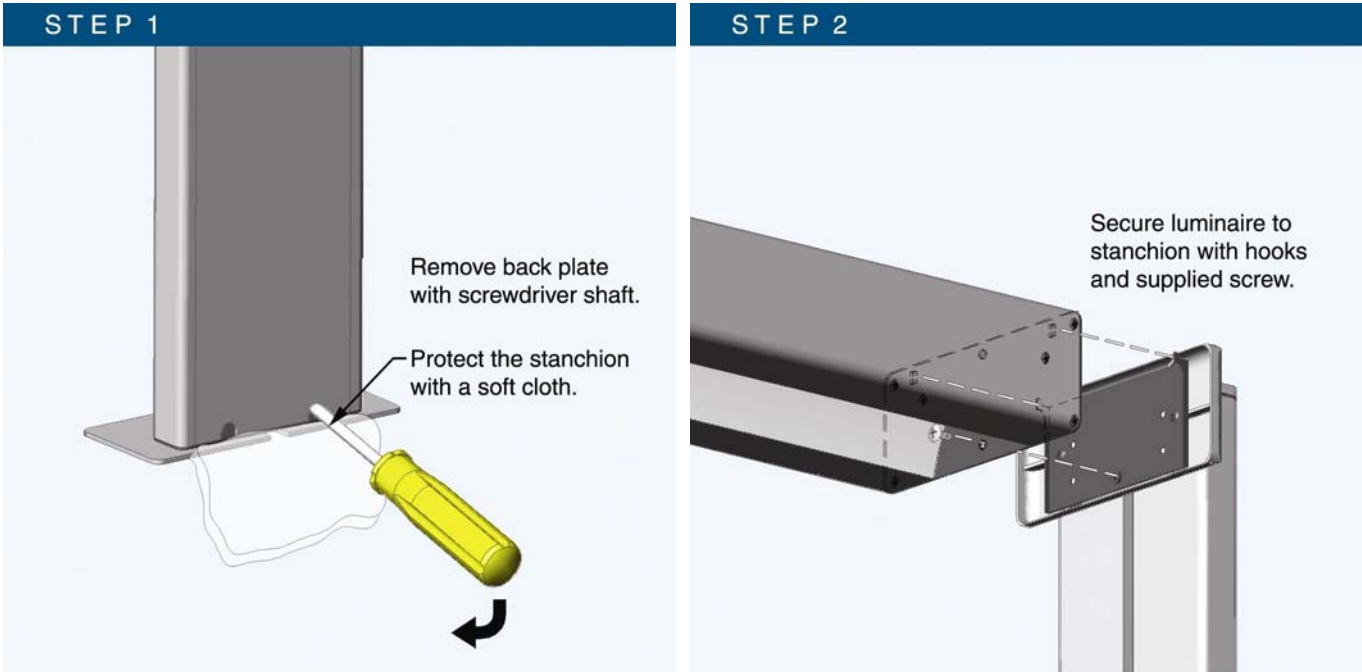
When the desk clamp stanchion is used, the top of the luminaire is 19-1/2" above the worksurface (48" A.F.F. for a worksurface height of 28-1/2").

Note: Bridge stanchions achieve freestanding installations that comply with the industry standard 8° tip test for portable luminaire stability. However, **fixing the stanchions to the worksurface is highly recommended.**

CONFIDENTIAL PROPRIETARY INFORMATION

The information herein is of a proprietary nature and is submitted in confidence for the use by our clients, customers, or vendors only. Unauthorized reproduction, publication, distribution, or dissemination, in whole or in part, is expressly prohibited. The information contained herein is and remains the property of Tambient and receipt or possession of this information confers no right in or license to or disclose to others the subject matter contained herein for any but authorized purposes. All rights reserved. Copyright © 2010 Sylvan R. Shemitz Designs, Inc.

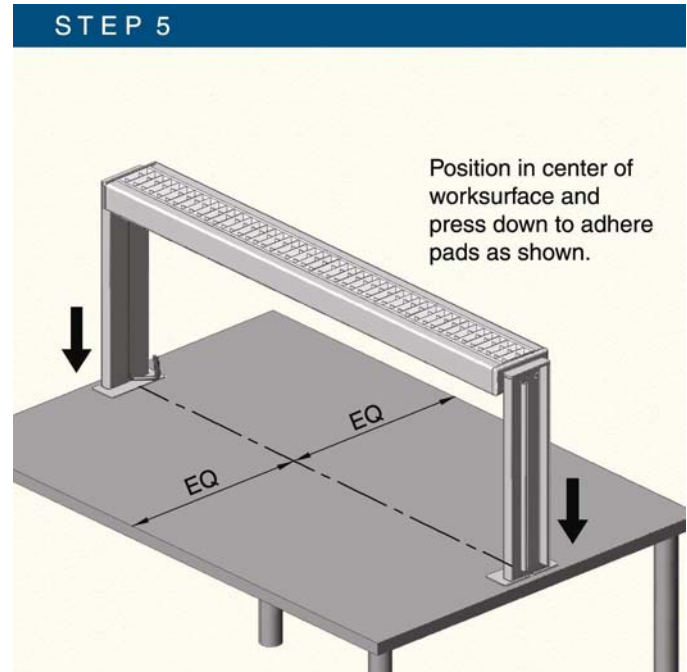
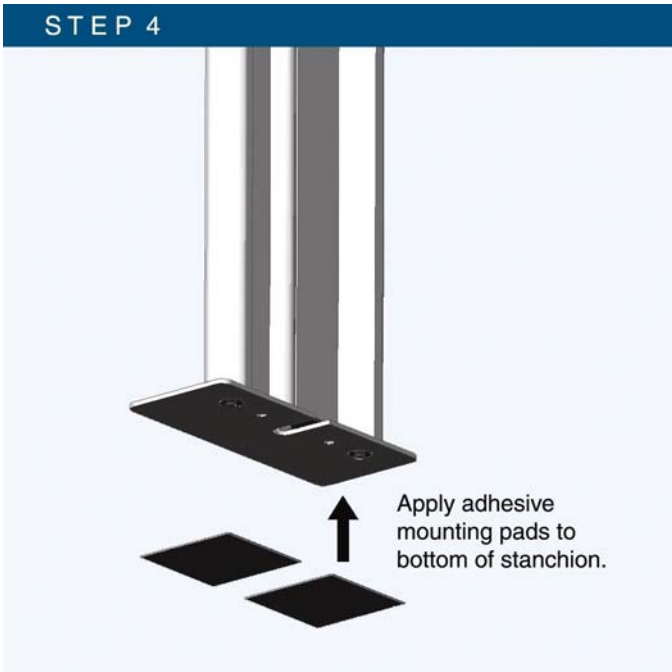
Installation Instructions:



CONFIDENTIAL PROPRIETARY INFORMATION

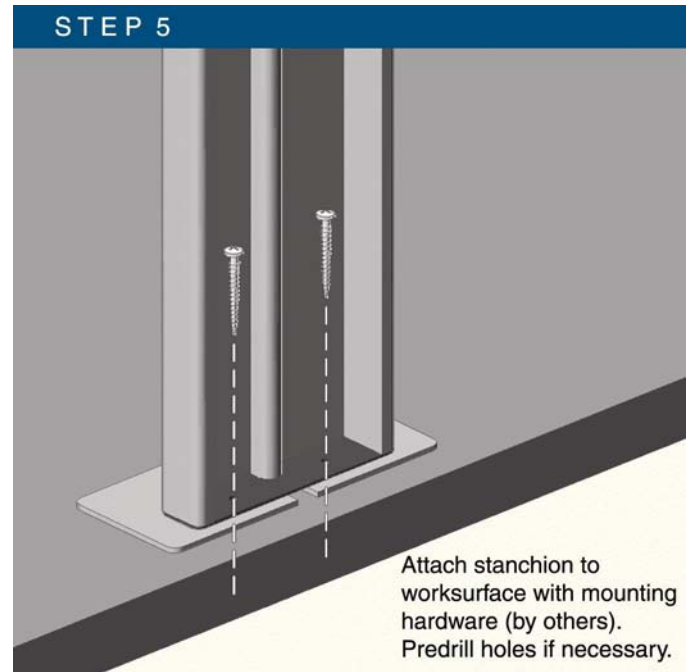
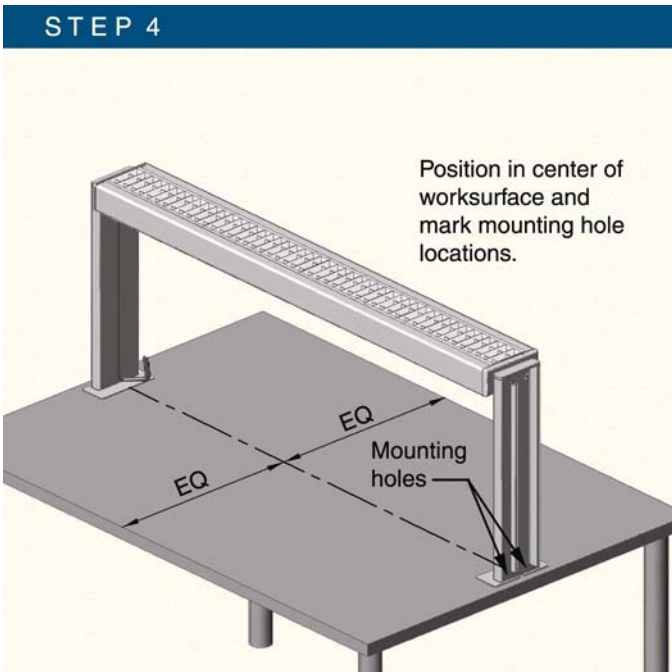
The information herein is of a proprietary nature and is submitted in confidence for the use by our clients, customers, or vendors only. Unauthorized reproduction, publication, distribution, or dissemination, in whole or in part, is expressly prohibited. The information contained herein is and remains the property of Tambient and receipt or possession of this information confers no right in or license to or disclose to others the subject matter contained herein for any but authorized purposes. All rights reserved. Copyright © 2010 Sylvan R. Shemitz Designs, Inc.

Mounting Style #1: Adhesive pads



Go to Page 5 (Step 8)

Mounting Style #2: Screw down with non-concealed cord routing



Go to Page 5 (Step 8)

CONFIDENTIAL PROPRIETARY INFORMATION

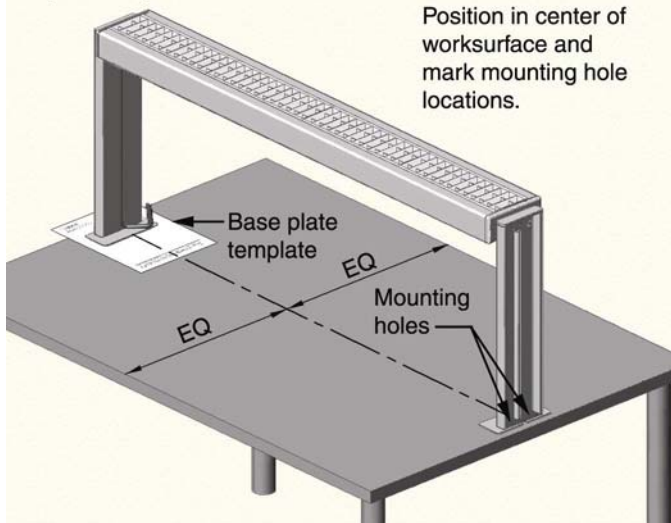
The information herein is of a proprietary nature and is submitted in confidence for the use by our clients, customers, or vendors only. Unauthorized reproduction, publication, distribution, or dissemination, in whole or in part, is expressly prohibited. The information contained herein is and remains the property of Tambient and receipt or possession of this information confers no right in or license to or disclose to others the subject matter contained herein for any but authorized purposes. All rights reserved. Copyright © 2010 Sylvan R. Shemitz Designs, Inc.

Mounting Style #3: Screw down with concealed cord routing

STEP 4

On cord exit side, align supplied base plate template.

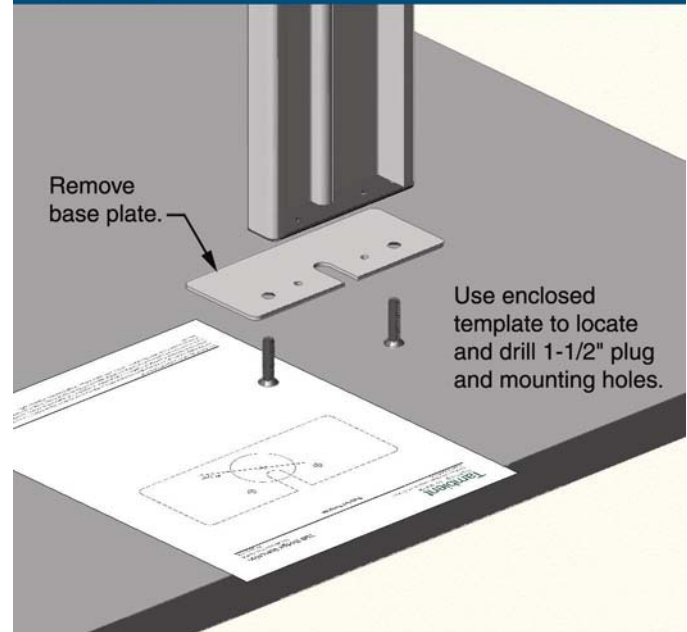
Position in center of worksurface and mark mounting hole locations.



STEP 5

Remove base plate.

Use enclosed template to locate and drill 1-1/2" plug and mounting holes.

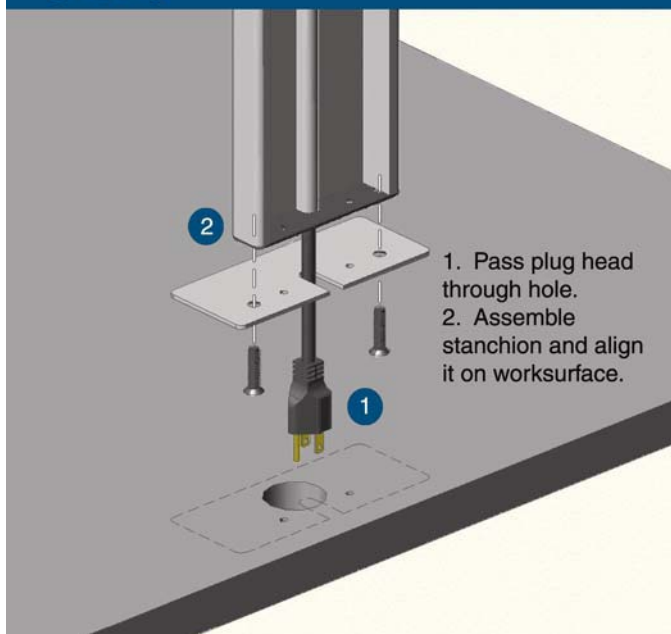


STEP 6

2

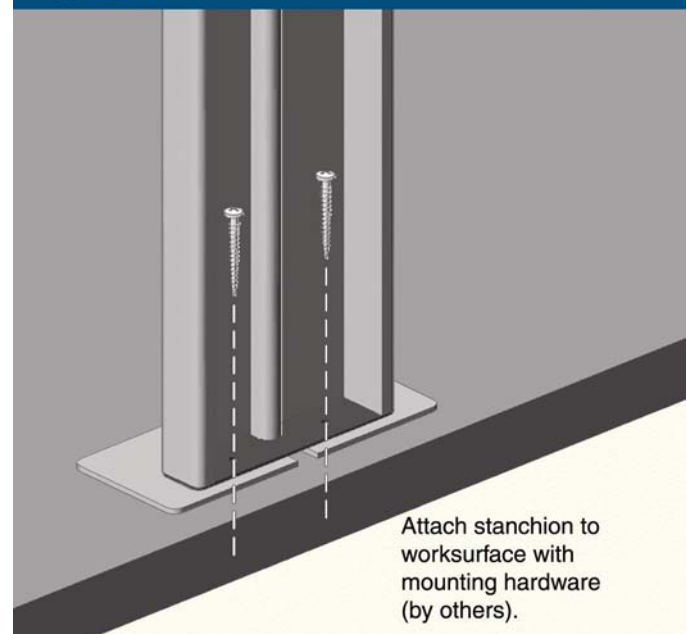
1. Pass plug head through hole.
2. Assemble stanchion and align it on worksurface.

1



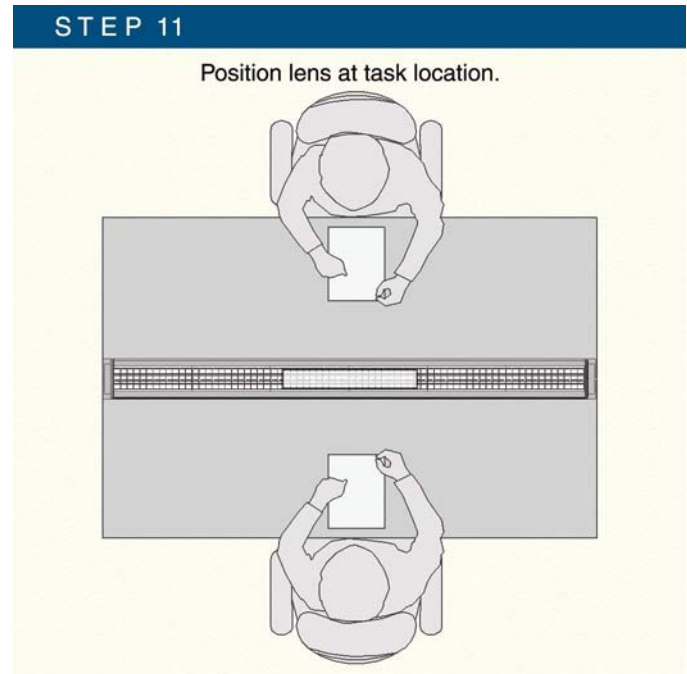
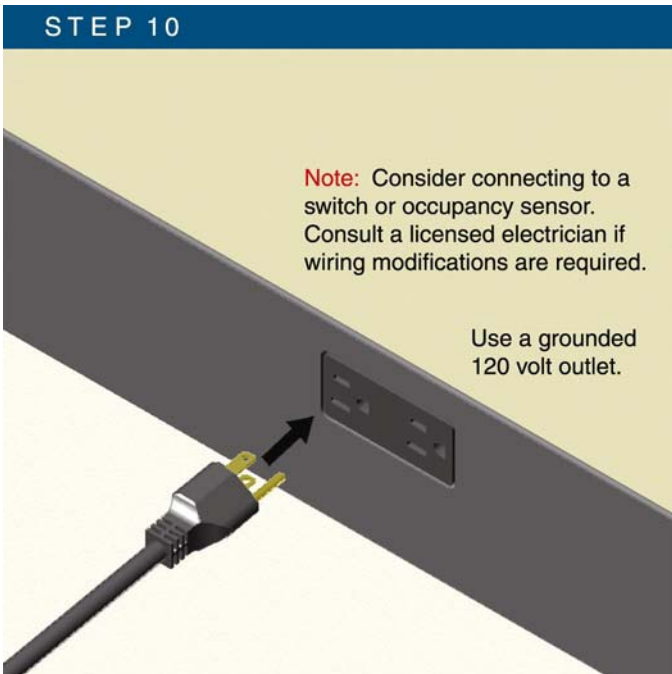
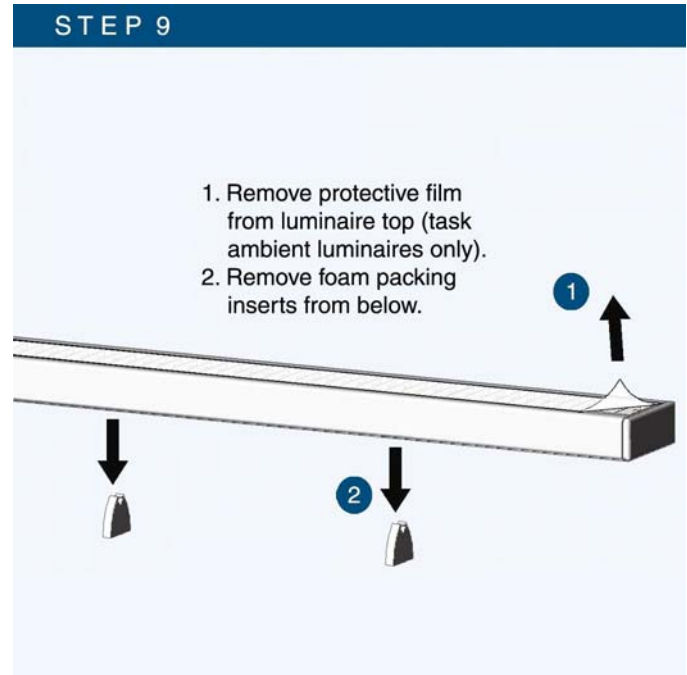
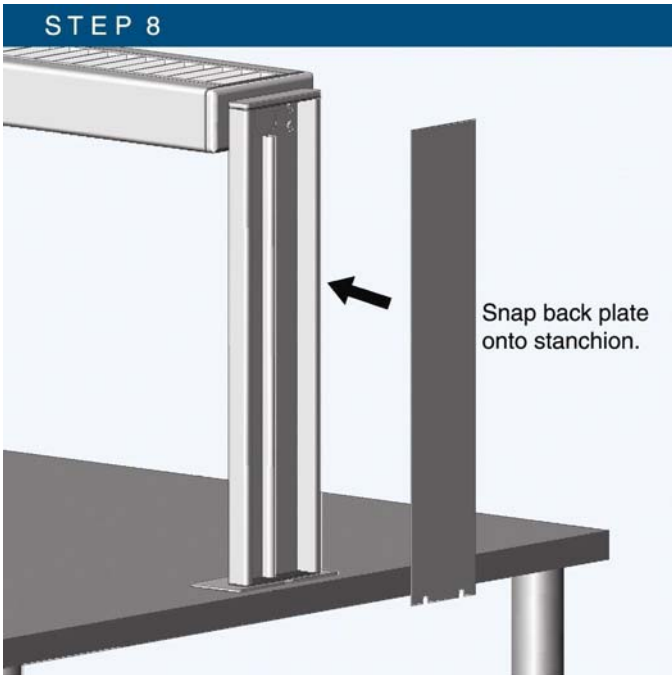
STEP 7

Attach stanchion to worksurface with mounting hardware (by others).



CONFIDENTIAL PROPRIETARY INFORMATION

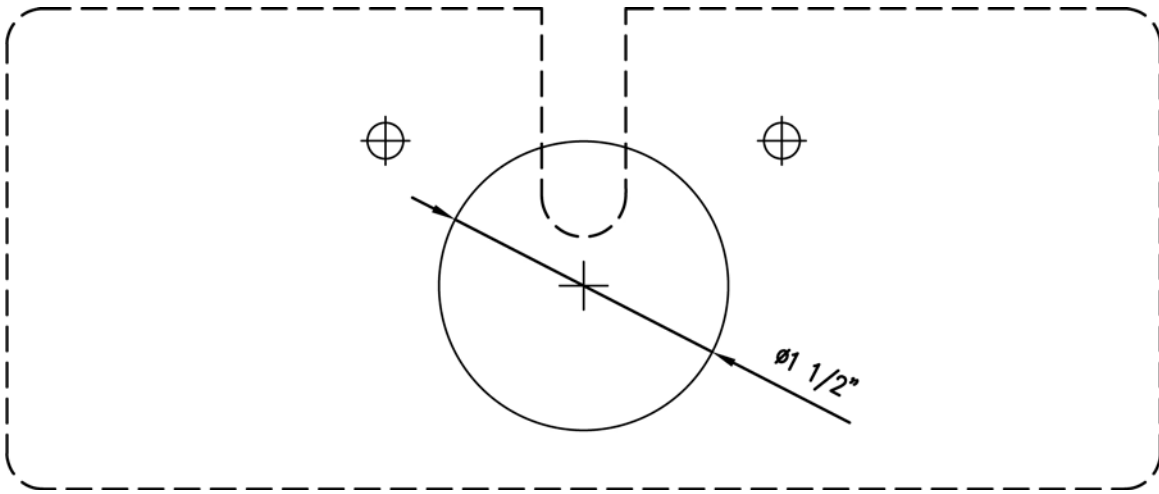
The information herein is of a proprietary nature and is submitted in confidence for the use by our clients, customers, or vendors only. Unauthorized reproduction, publication, distribution, or dissemination, in whole or in part, is expressly prohibited. The information contained herein is and remains the property of Tambient and receipt or possession of this information confers no right in or license to or disclose to others the subject matter contained herein for any but authorized purposes. All rights reserved. Copyright © 2010 Sylvan R. Shemitz Designs, Inc.



CONFIDENTIAL PROPRIETARY INFORMATION

The information herein is of a proprietary nature and is submitted in confidence for the use by our clients, customers, or vendors only. Unauthorized reproduction, publication, distribution, or dissemination, in whole or in part, is expressly prohibited. The information contained herein is and remains the property of Tambient and receipt or possession of this information confers no right in or license to or disclose to others the subject matter contained herein for any but authorized purposes. All rights reserved. Copyright © 2010 Sylvan R. Shemitz Designs, Inc.

Supplied Template



CONFIDENTIAL PROPRIETARY INFORMATION

The information herein is of a proprietary nature and is submitted in confidence for the use by our clients, customers, or vendors only. Unauthorized reproduction, publication, distribution, or dissemination, in whole or in part, is expressly prohibited. The information contained herein is and remains the property of Tambient and receipt or possession of this information confers no right in or license to or disclose to others the subject matter contained herein for any but authorized purposes. All rights reserved. Copyright © 2010 Sylvan R. Shemitz Designs, Inc.