

**Packaged Items:**

- (1) TSH desk clamp stanchion.
- (4) Adhesive cord management clips.

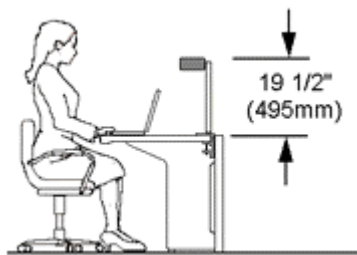
**Required Additional Items:**

Tambient luminaire with mounting slot.

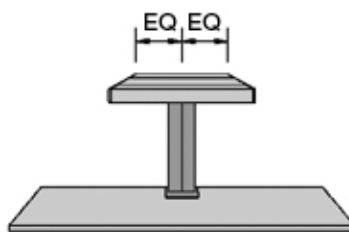
**Required Tools:**

Small torpedo level, soft cloth, 5/64" hex L-key, slotted screwdriver, #2 Phillips screwdriver.

**Application Notes:**

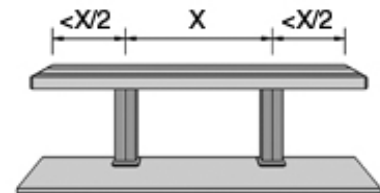


When the desk clamp stanchion is used, the top of the luminaire is 19-1/2" above the worksurface (48" A.F.F. for a worksurface height of 28-1/2").



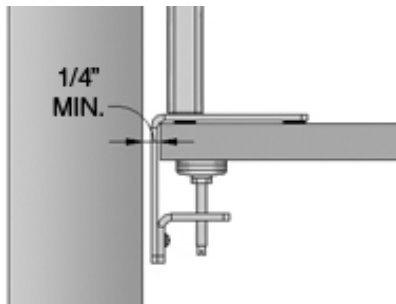
For single stanchion applications, locate the stanchion at the center of the luminaire.

**Note:** luminaires greater than 36" long require two (2) stanchions.

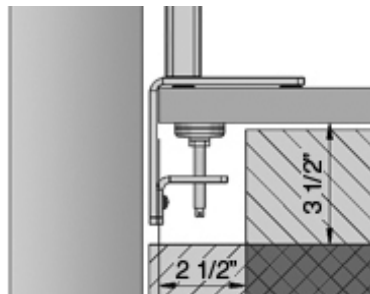


Where two (2) stanchions are used, luminaires can extend beyond the stanchions on one end or both ends.

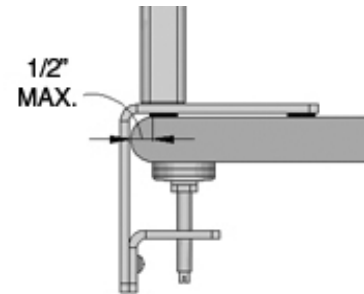
**Caution:** Do not allow extension to exceed 1/2 times the bracket spacing.



The minimum required clearance between the worksurface vertical surface is 1/4" (6.35mm).



Clearance and access below the worksurface is required for installation.



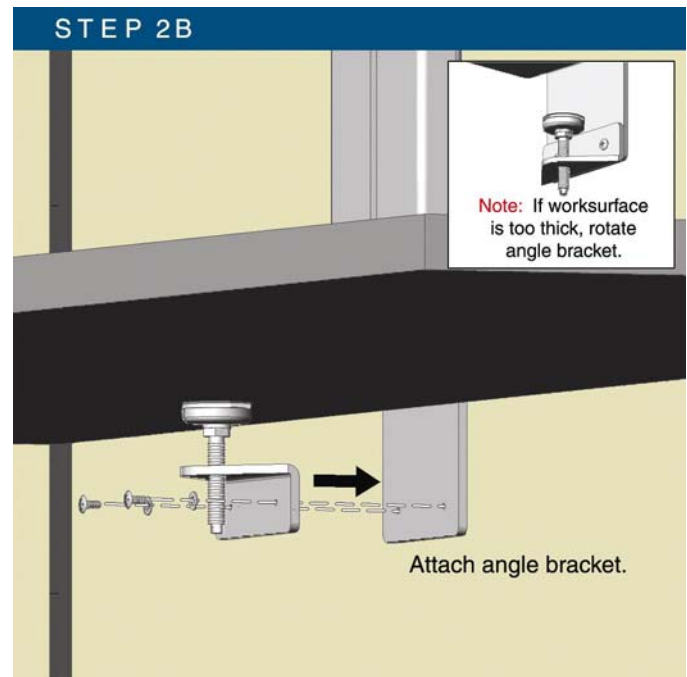
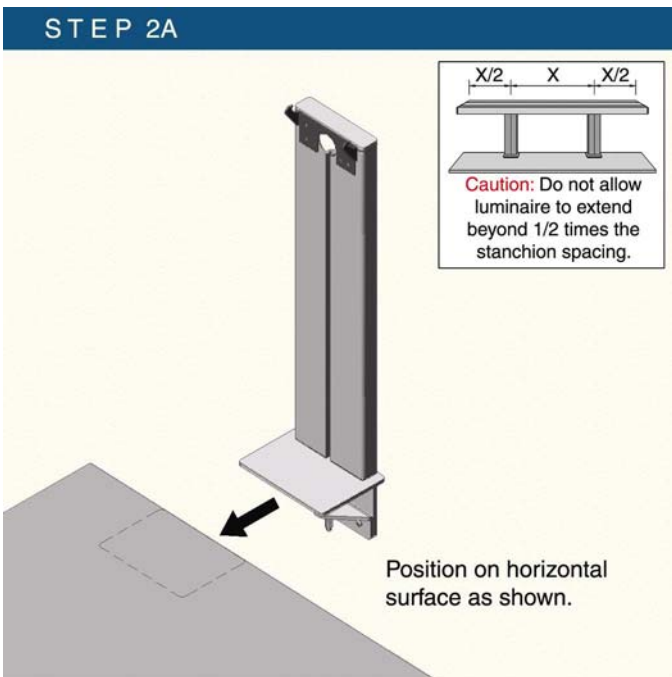
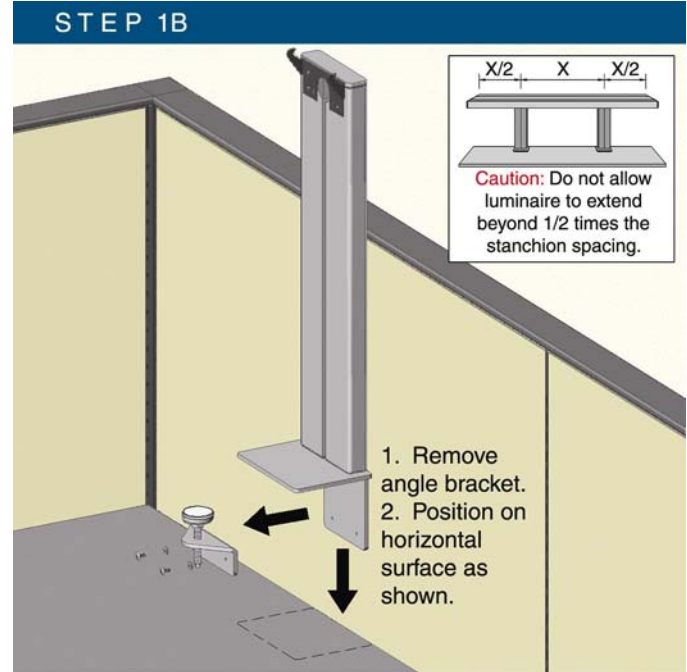
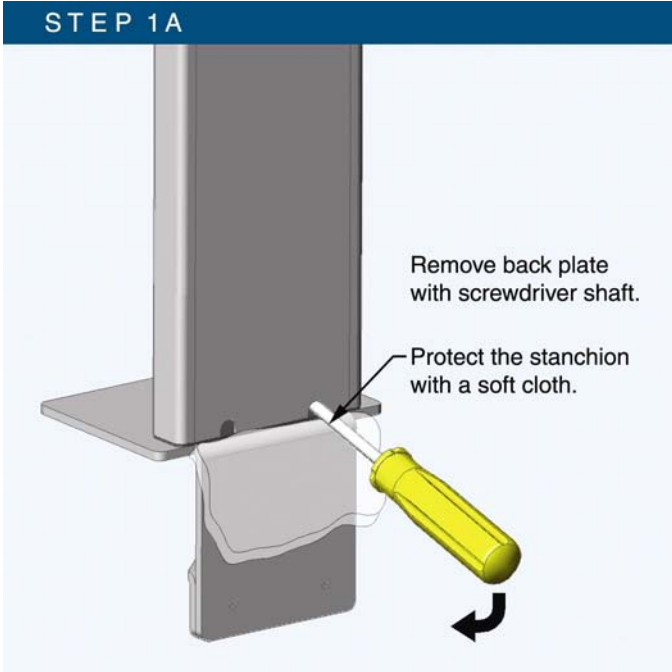
**Caution:** Do not install desk clamp stanchions where worksurface edge profile exceeds 1/2" (12.7mm).

**CONFIDENTIAL PROPRIETARY INFORMATION**

The information herein is of a proprietary nature and is submitted in confidence for the use by our clients, customers, or vendors only. Unauthorized reproduction, publication, distribution, or dissemination, in whole or in part, is expressly prohibited. The information contained herein is and remains the property of Tambient and receipt or possession of this information confers no right in or license to or disclose to others the subject matter contained herein for any but authorized purposes. All rights reserved. Copyright © 2010 Sylvan R. Shemitz Designs, Inc.

**Installation Instructions:**

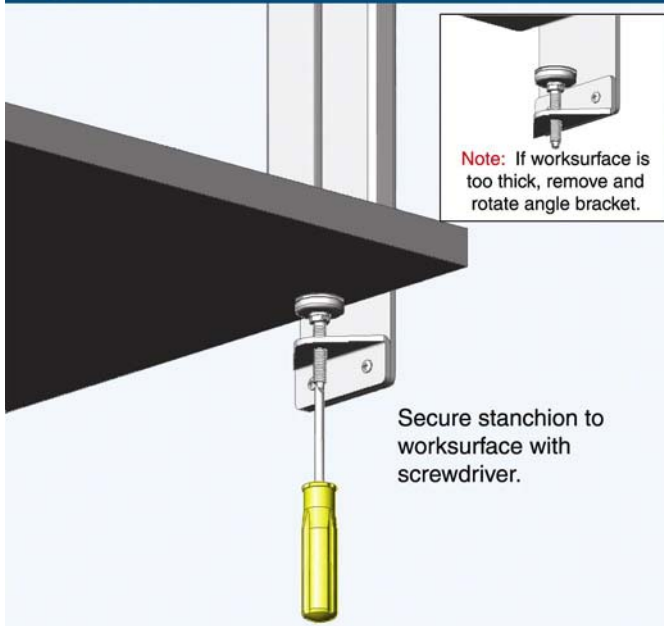
**Note:** Depending on the mounting situation, not all steps are necessary to complete.



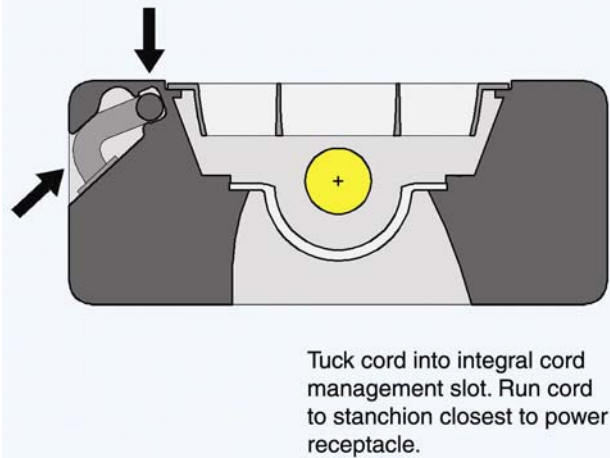
**CONFIDENTIAL PROPRIETARY INFORMATION**

The information herein is of a proprietary nature and is submitted in confidence for the use by our clients, customers, or vendors only. Unauthorized reproduction, publication, distribution, or dissemination, in whole or in part, is expressly prohibited. The information contained herein is and remains the property of Tambient and receipt or possession of this information confers no right in or license to or disclose to others the subject matter contained herein for any but authorized purposes. All rights reserved. Copyright © 2010 Sylvan R. Shemitz Designs, Inc.

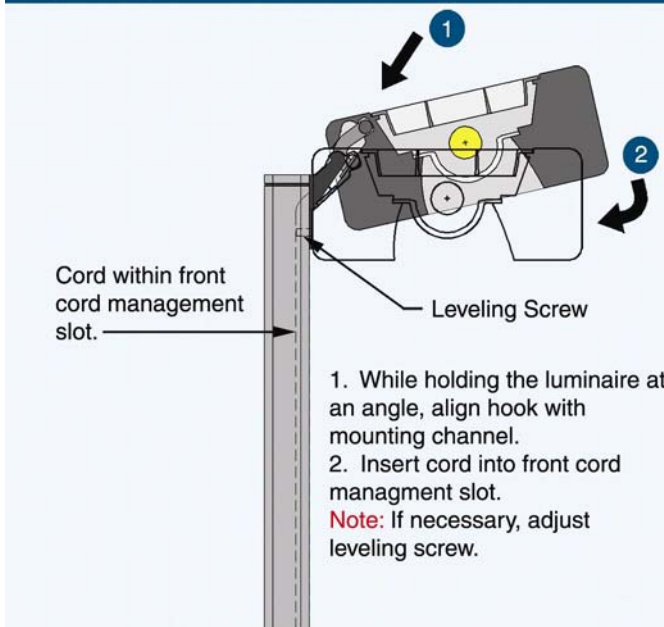
**STEP 3**



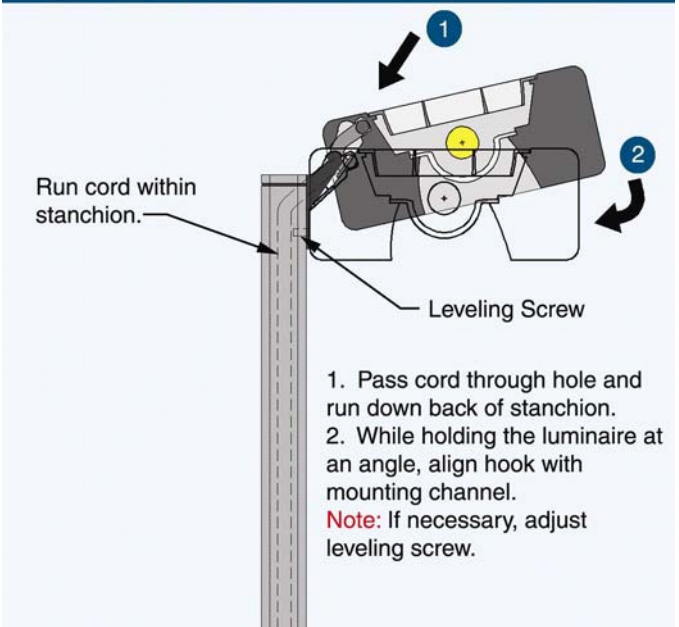
**STEP 4**



**STEP 5A**

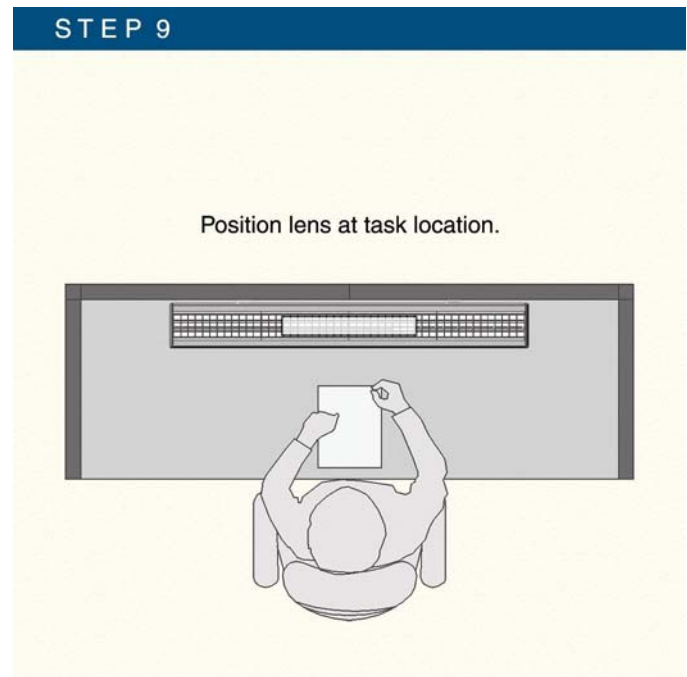
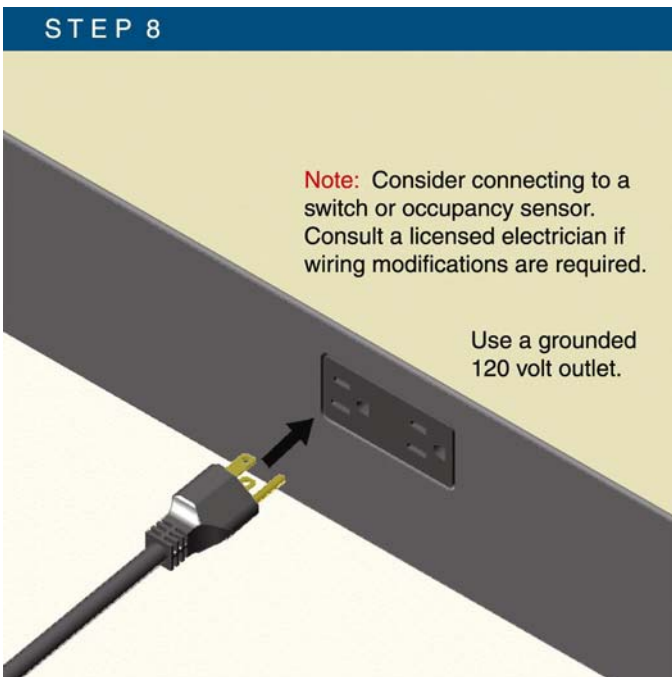
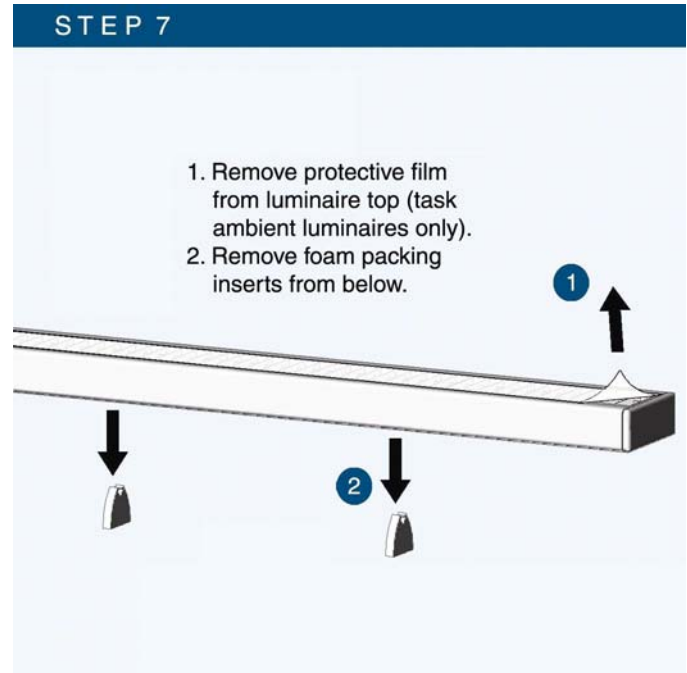
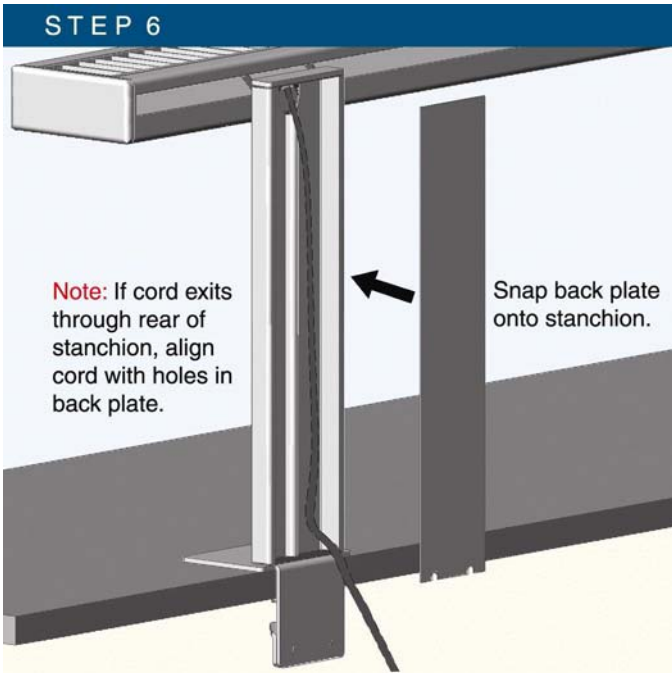


**STEP 5B**



**CONFIDENTIAL PROPRIETARY INFORMATION**

The information herein is of a proprietary nature and is submitted in confidence for the use by our clients, customers, or vendors only. Unauthorized reproduction, publication, distribution, or dissemination, in whole or in part, is expressly prohibited. The information contained herein is and remains the property of Tambient and receipt or possession of this information confers no right in or license to or disclose to others the subject matter contained herein for any but authorized purposes. All rights reserved. Copyright © 2010 Sylvan R. Shemitz Designs, Inc.



**CONFIDENTIAL PROPRIETARY INFORMATION**

The information herein is of a proprietary nature and is submitted in confidence for the use by our clients, customers, or vendors only. Unauthorized reproduction, publication, distribution, or dissemination, in whole or in part, is expressly prohibited. The information contained herein is and remains the property of Tambient and receipt or possession of this information confers no right in or license to or disclose to others the subject matter contained herein for any but authorized purposes. All rights reserved. Copyright © 2010 Sylvan R. Shemitz Designs, Inc.