

Packaged Items:

- (1) TSX desk clamp stanchion.
- (4) Adhesive cord management clips.

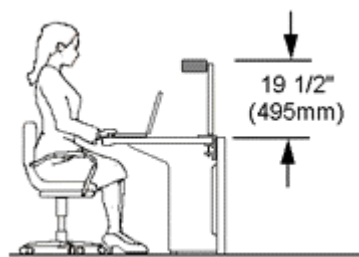
Required Additional Items:

Tambient luminaire with predrilled mounting holes.

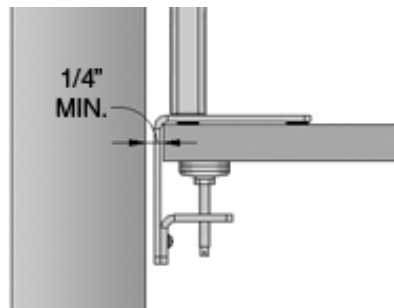
Required Tools:

Small torpedo level, soft cloth, 5/64" hex L-key, slotted screwdriver, #2 Phillips screwdriver.

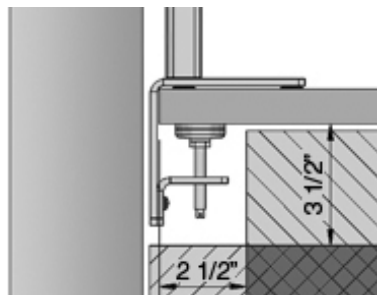
Application Notes:



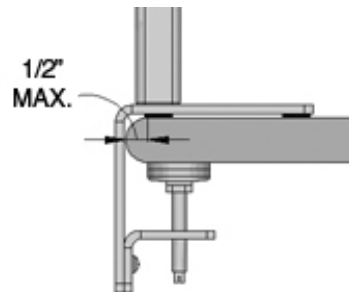
When the desk clamp stanchion is used, the top of the luminaire is 19-1/2" above the worksurface (48" A.F.F. for a worksurface height of 28-1/2").



The minimum required clearance between the worksurface's vertical surface is 1/4" (6.35mm).



Clearance and access below the worksurface is required for installation.

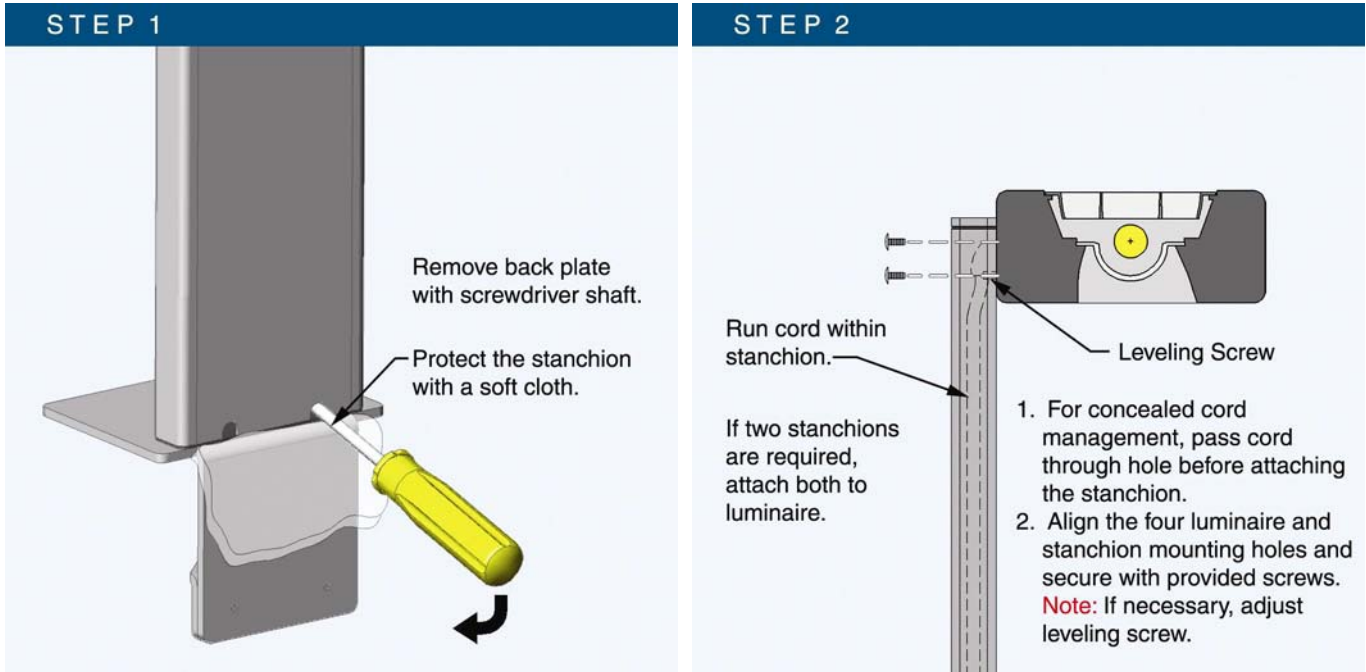


Caution: Do not install desk clamp stanchions where worksurface edge profile exceeds 1/2" (12.7mm).

CONFIDENTIAL PROPRIETARY INFORMATION

The information herein is of a proprietary nature and is submitted in confidence for the use by our clients, customers, or vendors only. Unauthorized reproduction, publication, distribution, or dissemination, in whole or in part, is expressly prohibited. The information contained herein is and remains the property of Tambient and receipt or possession of this information confers no right in or license to or disclose to others the subject matter contained herein for any but authorized purposes. All rights reserved. Copyright © 2010 Sylvan R. Shemitz Designs, Inc.

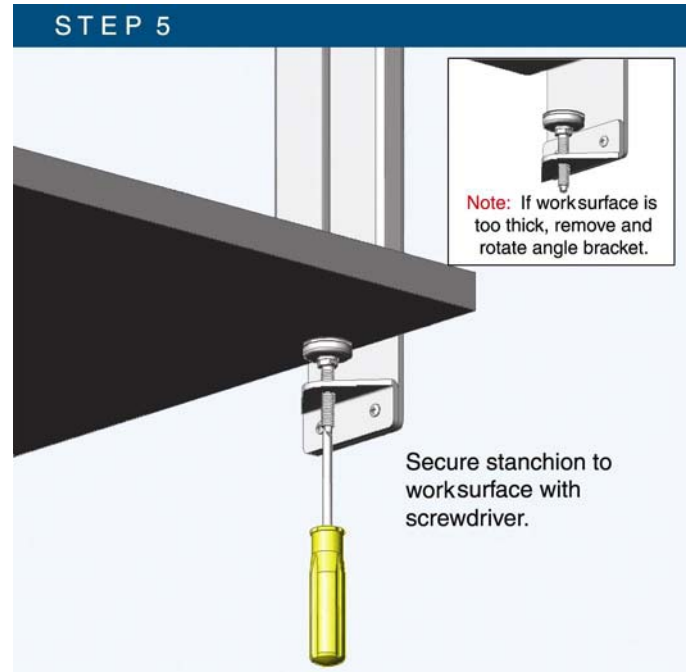
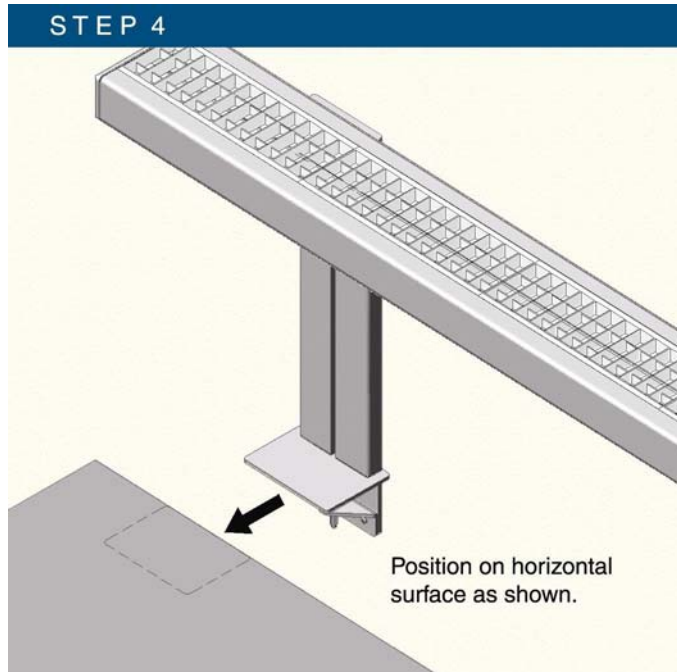
Installation Instructions:



CONFIDENTIAL PROPRIETARY INFORMATION

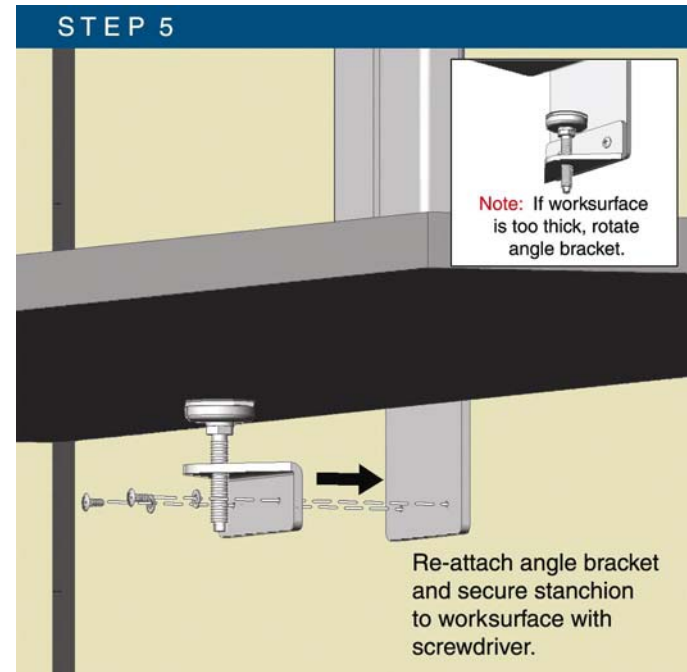
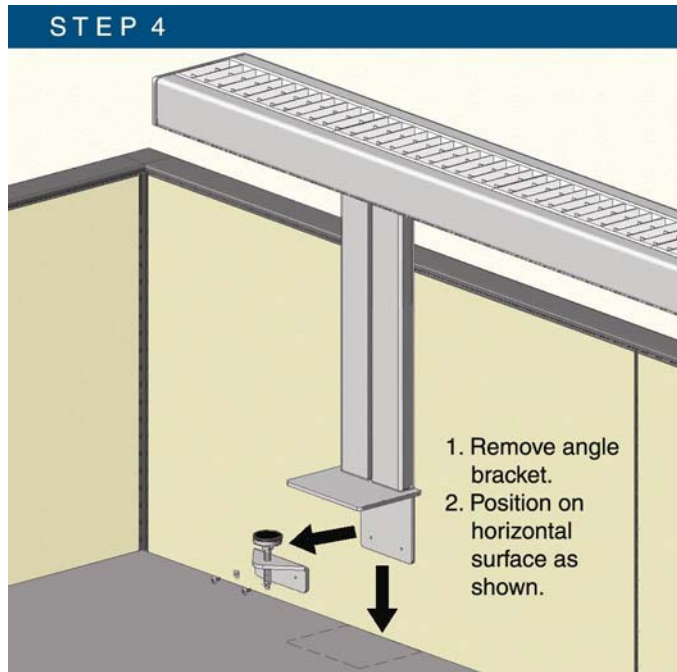
The information herein is of a proprietary nature and is submitted in confidence for the use by our clients, customers, or vendors only. Unauthorized reproduction, publication, distribution, or dissemination, in whole or in part, is expressly prohibited. The information contained herein is and remains the property of Tambient and receipt or possession of this information confers no right in or license to or disclose to others the subject matter contained herein for any but authorized purposes. All rights reserved. Copyright © 2010 Sylvan R. Shemitz Designs, Inc.

Mounting Method #1: Freestanding worksurface



Go to Page 4 (Step 6)

Mounting Method #2: Worksurface with panels



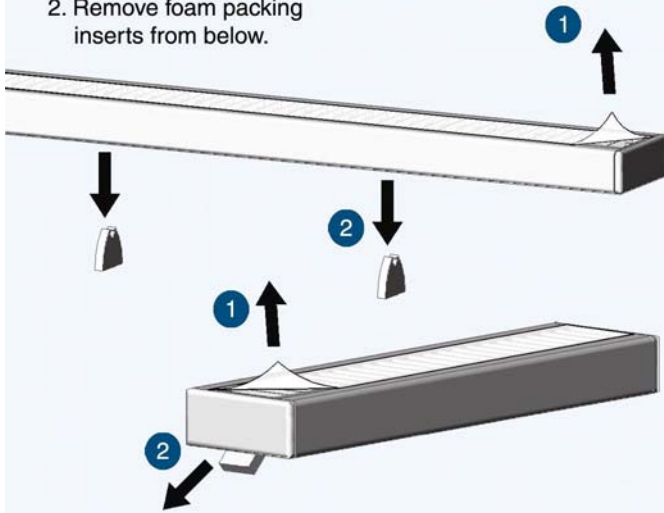
Go to Page 4 (Step 6)

CONFIDENTIAL PROPRIETARY INFORMATION

The information herein is of a proprietary nature and is submitted in confidence for the use by our clients, customers, or vendors only. Unauthorized reproduction, publication, distribution, or dissemination, in whole or in part, is expressly prohibited. The information contained herein is and remains the property of Tambient and receipt or possession of this information confers no right in or license to or disclose to others the subject matter contained herein for any but authorized purposes. All rights reserved. Copyright © 2010 Sylvan R. Shemitz Designs, Inc.

STEP 6

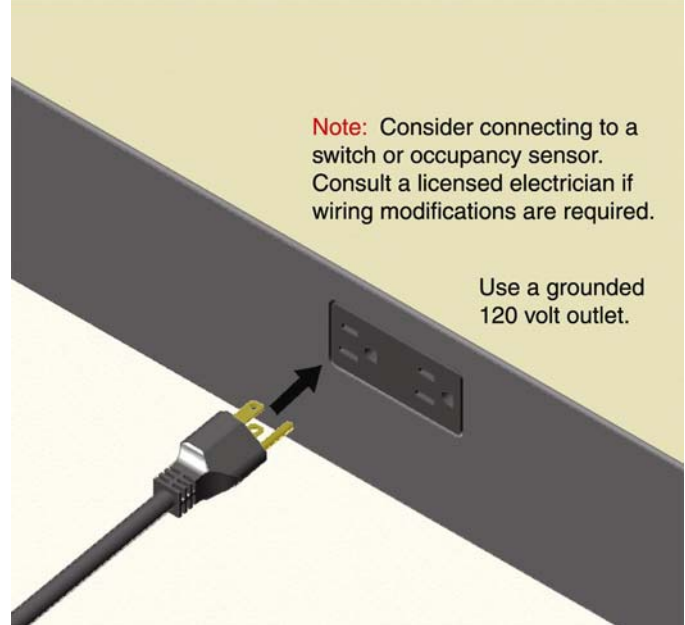
1. Remove protective film from luminaire top (task ambient luminaires only).
2. Remove foam packing inserts from below.



STEP 7

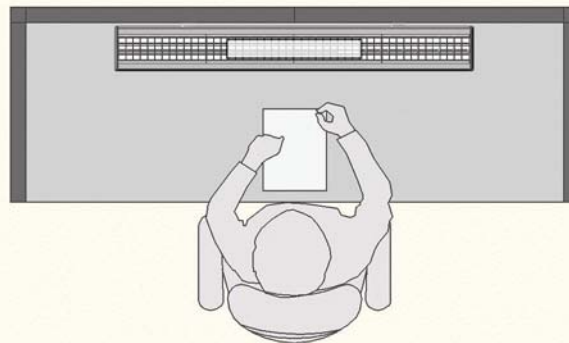
Note: Consider connecting to a switch or occupancy sensor. Consult a licensed electrician if wiring modifications are required.

Use a grounded 120 volt outlet.



STEP 8

Position lens at task location.



CONFIDENTIAL PROPRIETARY INFORMATION

The information herein is of a proprietary nature and is submitted in confidence for the use by our clients, customers, or vendors only. Unauthorized reproduction, publication, distribution, or dissemination, in whole or in part, is expressly prohibited. The information contained herein is and remains the property of Tambient and receipt or possession of this information confers no right in or license to or disclose to others the subject matter contained herein for any but authorized purposes. All rights reserved. Copyright © 2010 Sylvan R. Shemitz Designs, Inc.