

**Packaged Items:**

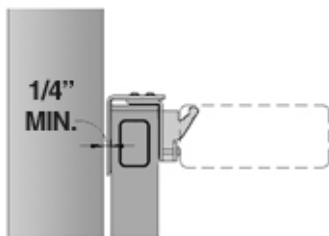
- (1) 4' L201 task ambient luminaire with decorative endplates. Finish: Silver.
- (2) TPC panel clamps. Finish: Silver.
- (4) Rubber pads.
- (4) Adhesive cord management clips.

**Required tools:**

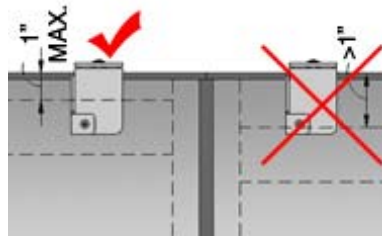
Small torpedo level, bar clamp with plastic pads, 3/32" hex L-key, #2 Phillips screwdriver.

**Application Notes:**

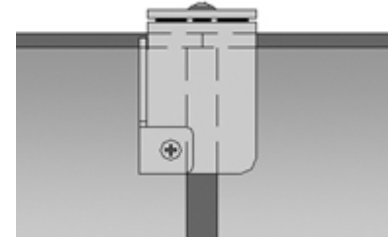
Verify load limits with the panel manufacturer.



Panel clamps require 1/4" clearance behind panel for installation.

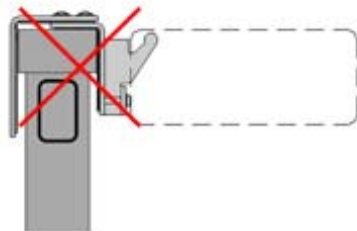


Where resilient acoustical panels are used, panel clamps must be installed where concealed panel frame provides support.

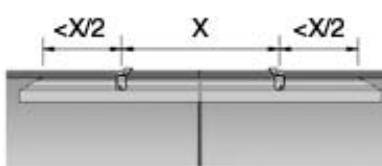


**Design Tip:**

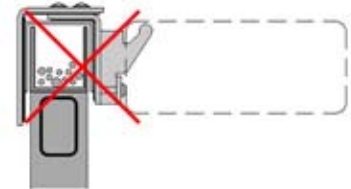
Locating panel clamps at vertical panel joints generally provides added support.



**Caution:** Support may be compromised if panel top cap exceeds panel thickness.



Luminaire can extend beyond brackets on one end or both ends.  
**Caution:** Do not allow extension to exceed 1/2 times the bracket spacing.



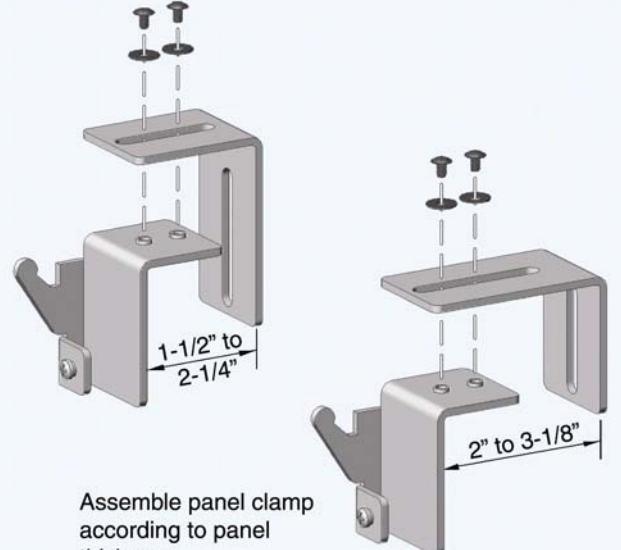
**Caution:** Snap-on extended-height top caps that provide expanded wiring capacities can compromise luminaire support.

**CONFIDENTIAL PROPRIETARY INFORMATION**

The information herein is of a proprietary nature and is submitted in confidence for the use by our clients, customers, or vendors only. Unauthorized reproduction, publication, distribution, or dissemination, in whole or in part, is expressly prohibited. The information contained herein is and remains the property of Tambient and receipt or possession of this information confers no right in or license to or disclose to others the subject matter contained herein for any but authorized purposes. All rights reserved. Copyright © 2010 Sylvan R. Shemitz Designs, Inc.

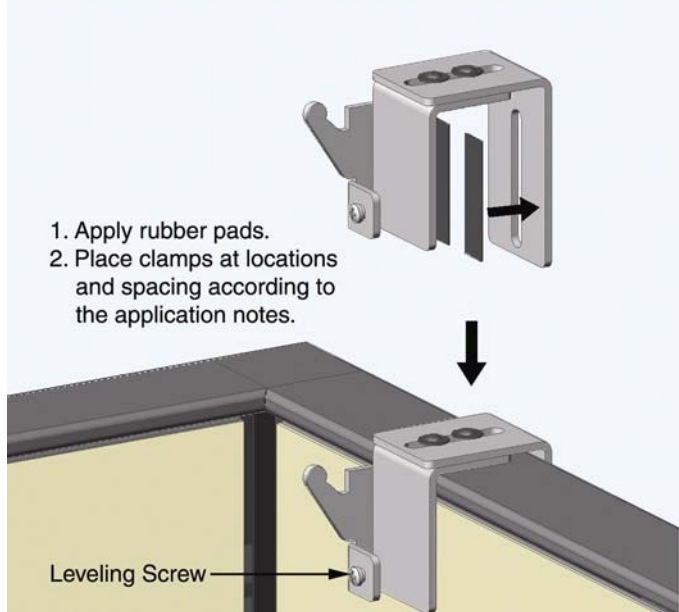
**Installation Instructions:**

**STEP 1**



Assemble panel clamp according to panel thickness.

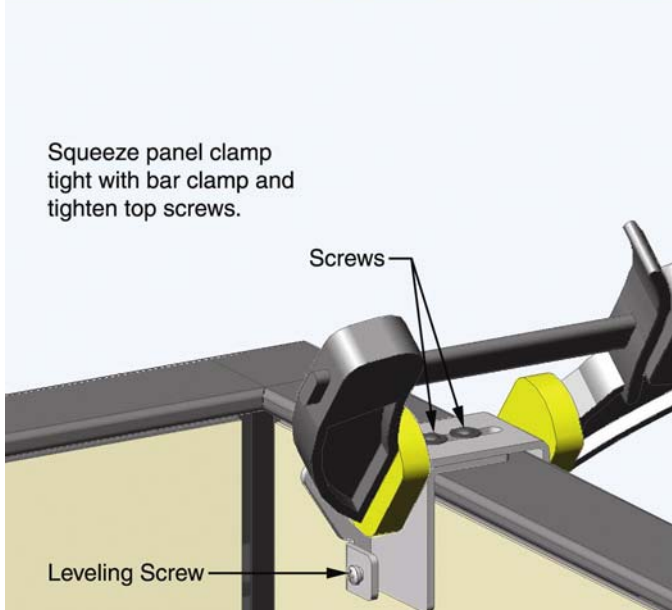
**STEP 2**



1. Apply rubber pads.
2. Place clamps at locations and spacing according to the application notes.

Leveling Screw

**STEP 3**

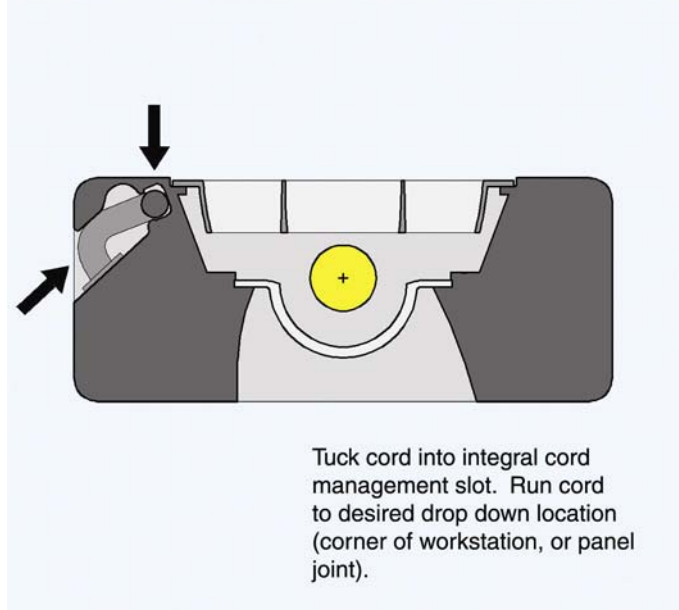


Squeeze panel clamp tight with bar clamp and tighten top screws.

Screws

Leveling Screw

**STEP 4**

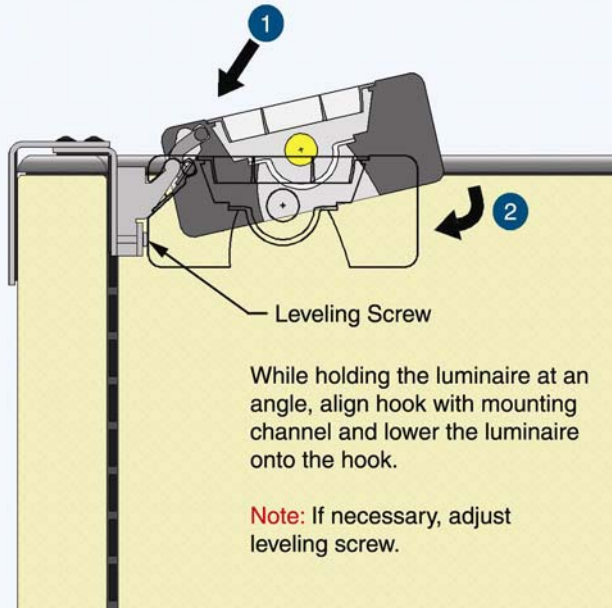


Tuck cord into integral cord management slot. Run cord to desired drop down location (corner of workstation, or panel joint).

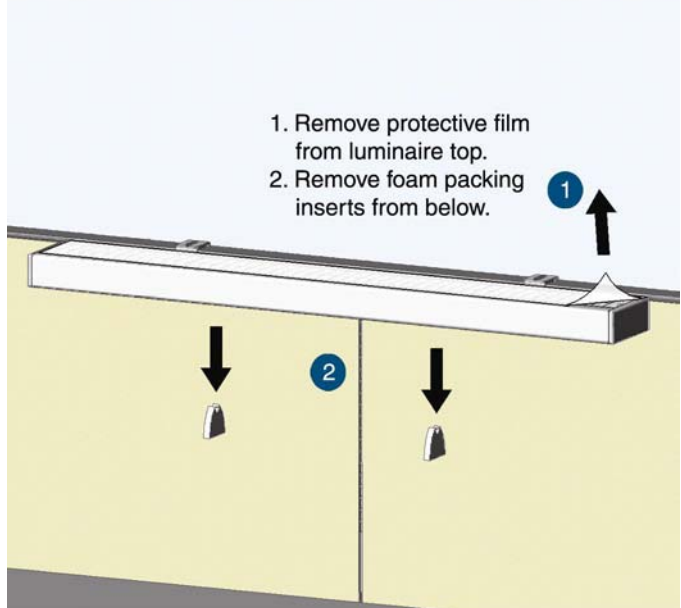
**CONFIDENTIAL PROPRIETARY INFORMATION**

The information herein is of a proprietary nature and is submitted in confidence for the use by our clients, customers, or vendors only. Unauthorized reproduction, publication, distribution, or dissemination, in whole or in part, is expressly prohibited. The information contained herein is and remains the property of Tambient and receipt or possession of this information confers no right in or license to or disclose to others the subject matter contained herein for any but authorized purposes. All rights reserved. Copyright © 2010 Sylvan R. Shemitz Designs, Inc.

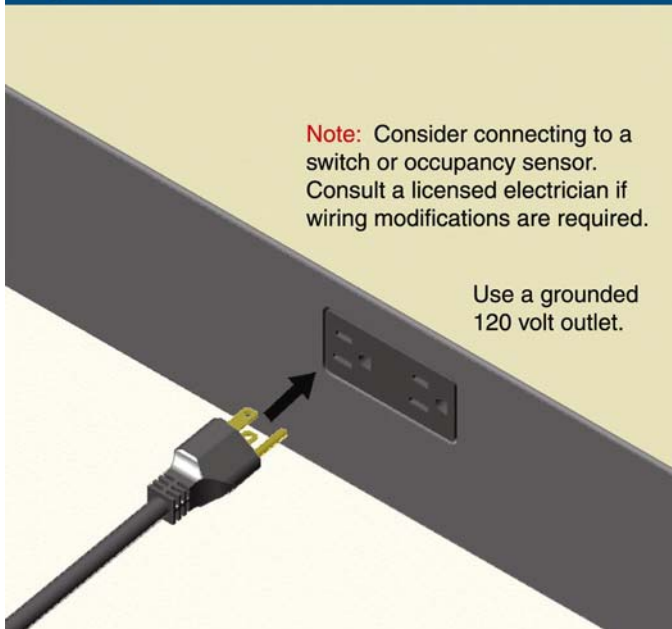
**STEP 5**



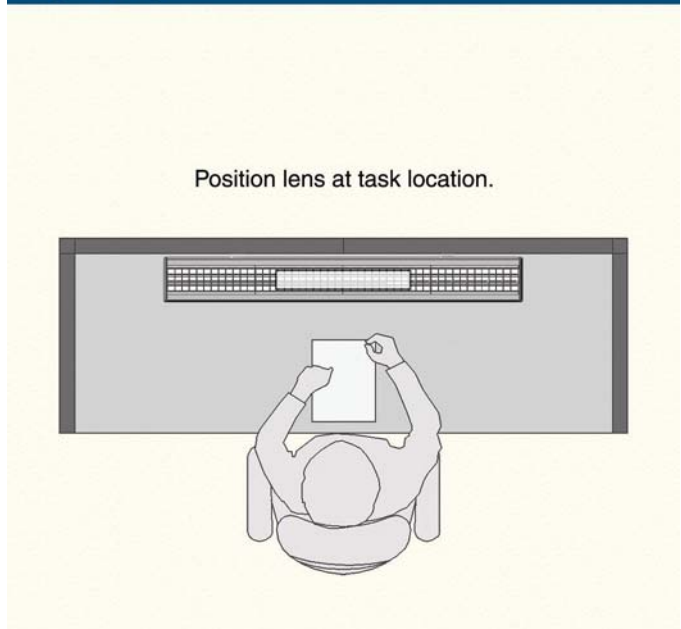
**STEP 6**



**STEP 7**



**STEP 8**



**CONFIDENTIAL PROPRIETARY INFORMATION**

The information herein is of a proprietary nature and is submitted in confidence for the use by our clients, customers, or vendors only. Unauthorized reproduction, publication, distribution, or dissemination, in whole or in part, is expressly prohibited. The information contained herein is and remains the property of Tambient and receipt or possession of this information confers no right in or license to or disclose to others the subject matter contained herein for any but authorized purposes. All rights reserved. Copyright © 2010 Sylvan R. Shemitz Designs, Inc.