

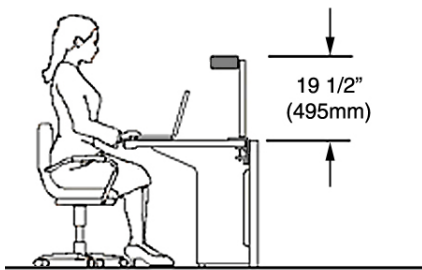
Packaged Items:

- (1) 2' L208 task ambient luminaire with decorative endplates. Finish: Silver.
- (1) TSX desk clamp stanchion. Finish: Silver.
- (4) Adhesive cord management clips.

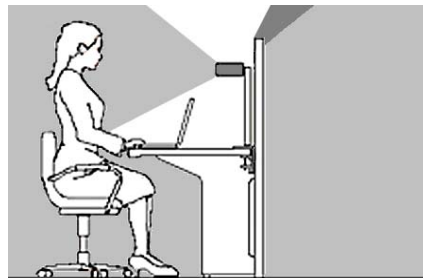
Required Tools:

Small torpedo level, soft cloth, slotted screwdriver, #2 Phillips screwdriver.

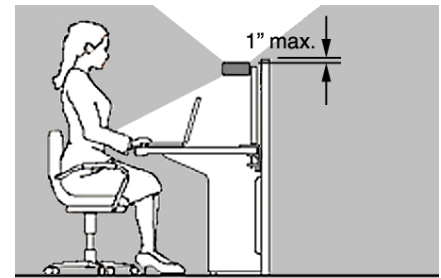
Application Notes:



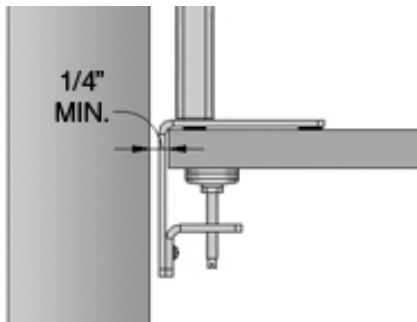
When installed, the top of the luminaire is 19-1/2" above the work surface (48" A.F.F. for a work surface height of 28-1/2").



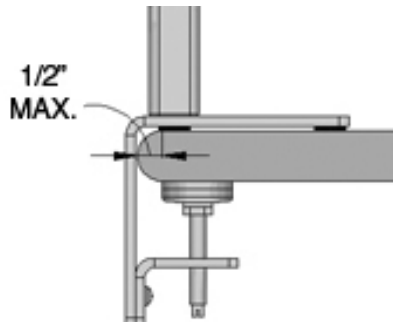
Caution: Panels that extend beyond the top of luminaire will restrict the uplight distribution.



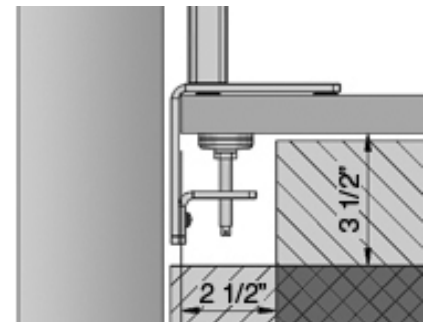
Panel must not extend more than 1" above the top of the luminaire.



Desk clamp stanchions require 1/4" minimum clearance between the work surface and privacy panel



Caution: Do not install desk clamp stanchions where work surface edge profile exceeds 1/2".

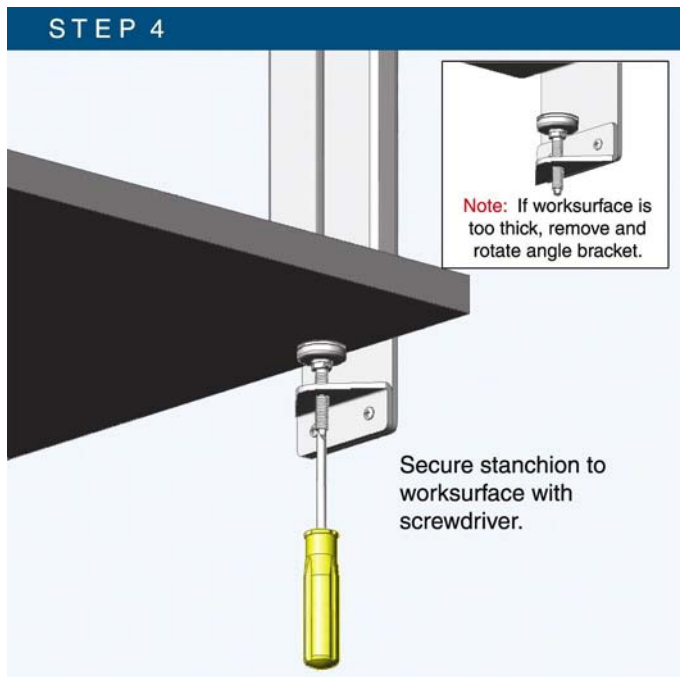
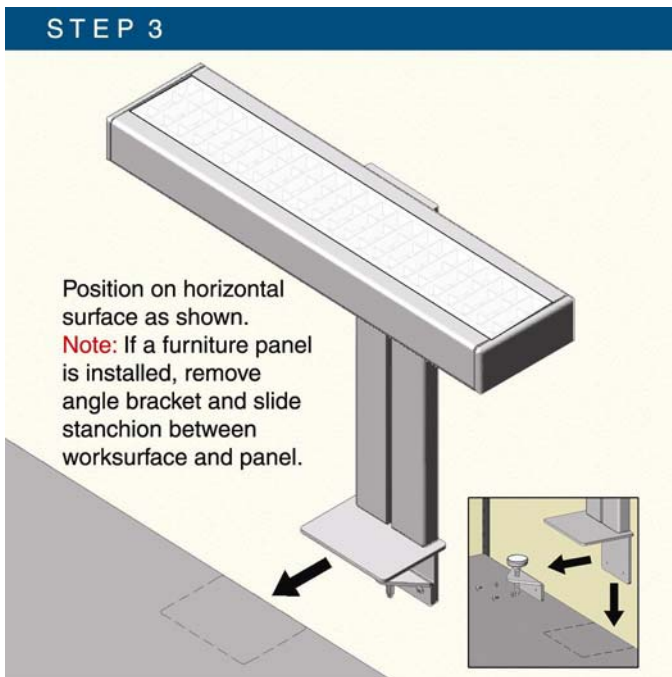
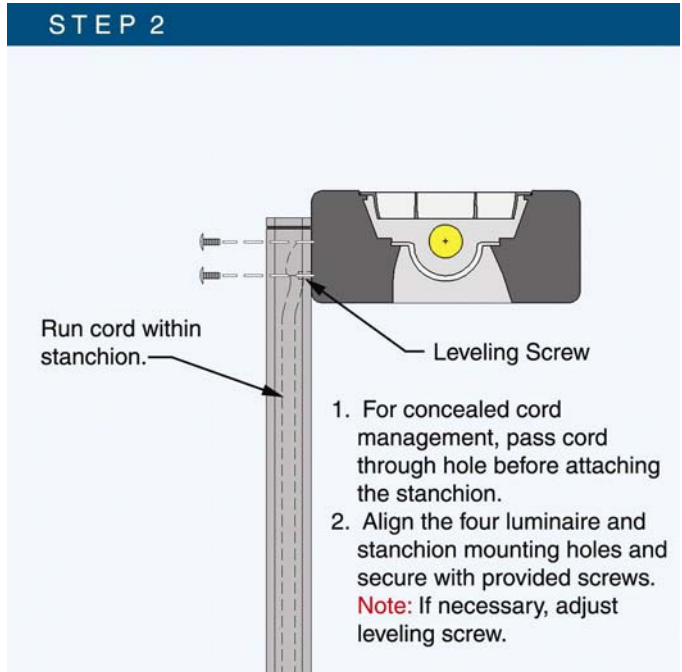
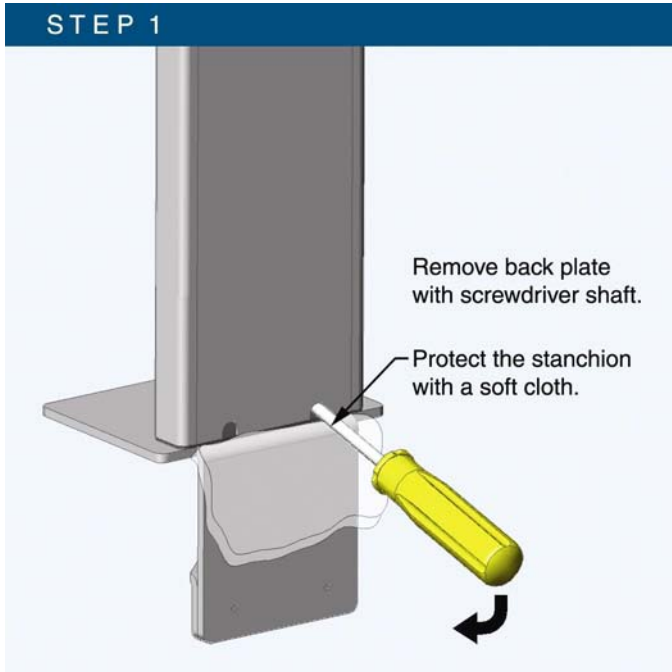


Clearance and access below the work surface is required for installation.

CONFIDENTIAL PROPRIETARY INFORMATION

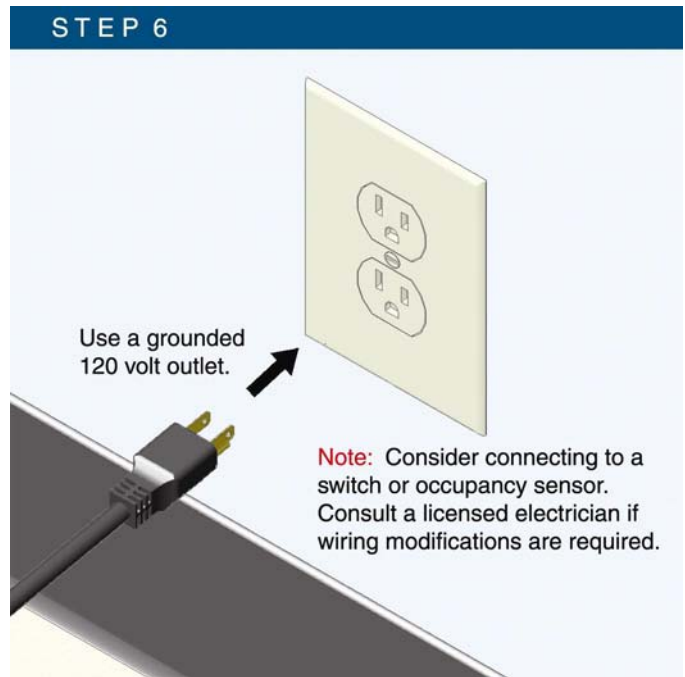
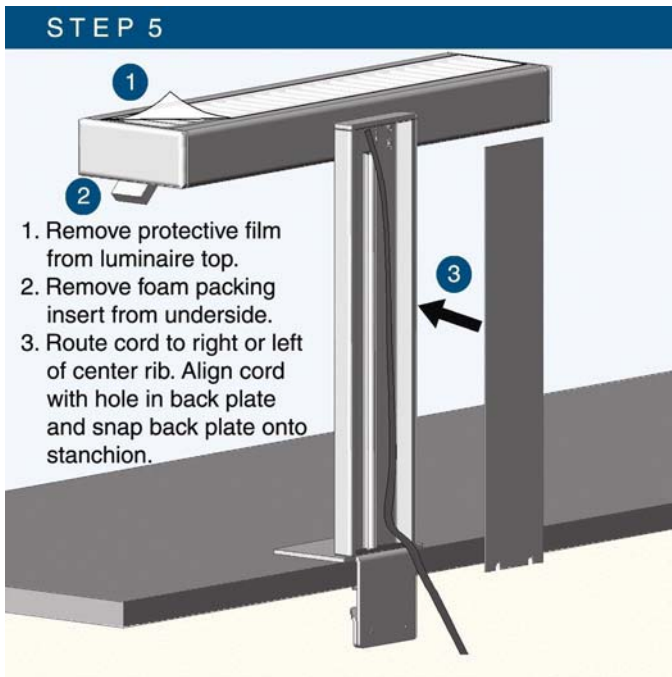
The information herein is of a proprietary nature and is submitted in confidence for the use by our clients, customers, or vendors only. Unauthorized reproduction, publication, distribution, or dissemination, in whole or in part, is expressly prohibited. The information contained herein is and remains the property of Tambient and receipt or possession of this information confers no right in or license to or disclose to others the subject matter contained herein for any but authorized purposes. All rights reserved. Copyright © 2010 Sylvan R. Shemitz Designs, Inc.

Installation Instructions:



CONFIDENTIAL PROPRIETARY INFORMATION

The information herein is of a proprietary nature and is submitted in confidence for the use by our clients, customers, or vendors only. Unauthorized reproduction, publication, distribution, or dissemination, in whole or in part, is expressly prohibited. The information contained herein is and remains the property of Tambient and receipt or possession of this information confers no right in or license to or disclose to others the subject matter contained herein for any but authorized purposes. All rights reserved. Copyright © 2010 Sylvan R. Shemitz Designs, Inc.



CONFIDENTIAL PROPRIETARY INFORMATION

The information herein is of a proprietary nature and is submitted in confidence for the use by our clients, customers, or vendors only. Unauthorized reproduction, publication, distribution, or dissemination, in whole or in part, is expressly prohibited. The information contained herein is and remains the property of Tambient and receipt or possession of this information confers no right in or license to or disclose to others the subject matter contained herein for any but authorized purposes. All rights reserved. Copyright © 2010 Sylvan R. Shemitz Designs, Inc.