

Canopy Lighting



Style M152
remote ballast
uplight with
cutoff visor

Architect: Kendall/Heaton Associates with Cesar Pelli; Pickard Chilton
Lighting Design: Brandston Partnership, Inc.
Photography: Aker/Zvonkovic



Wachovia Park, Winston-Salem, NC Style M152

Canopy: 18' projection from soffit/column line, 27' above grade
Lighting: M152-0400-V-02-A-V00, with remote ballast (50' max.)
Spacing: 24' o.c. at 9' setback (fixtures 18' above grade)
Estimated illuminance on canopy: 23 fc avg. initial
Estimated power density: 1.1 W/sf (canopied area/uplights only)
ASHRAE/IESNA Standard 90.1-2001 Allowance: 3 W/sf

elliptipar

Uplighting an exterior canopy provides diffuse illumination, free of shadows and glare. The inviting glow of the luminous surface identifies the entry, directs traffic flow, and enhances the perception of safety and security.

The potential for wind driven rain often dictates a higher level of construction than that of a "damp location" fixture. **elliptipar's** uplights are UL listed and CSA certified for wet locations and feature non-corrosive aluminum and stainless steel components and a durable polyester powder coat finish.



Lambeau Field, Miller Gate
Lighting Design: Abernathy Lighting Design
Photographer: Bob Freund



Nashville Airport
Architect: Gresham Smith
Lighting Design: Designlight
Photographer: Michael Lewis

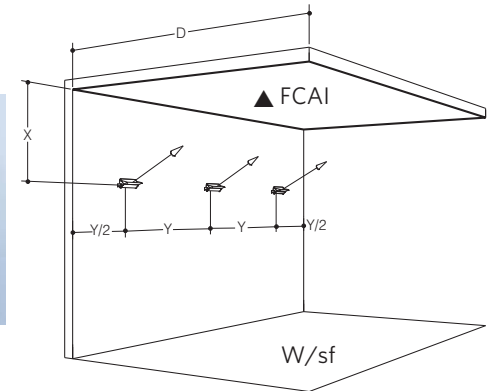


University of Chicago Center for Advanced Medicine
Architect: HLM + TK&A
Photographer: SRSA

ASHRAE/IESNA Standard 90.1-2001 allows 3 W/sf for entry canopies. The following table lists compliant uplight layouts – and the illuminance that each produces on the canopy surface.

FCAI indicates footcandles average initial on the canopy, assuming 6 or more units at the noted setback (X), spacing (Y), and projection (D).

W/sf values include ballasts. The area per fixture equals the projection (D) times the spacing (Y).



| Lamp | (X) | (Y) | (D) | W/sf | FCAI |
|----------------------|-----|-----|-----|------|------|
| Fluorescent | | | | | |
| 4' T5HO | 30" | 4' | 15' | 1.0 | 37 |
| 42W Hex | 30" | 5' | 10' | 0.9 | 24 |
| Ceramic Metal Halide | | | | | |
| 35W | 30" | 5' | 12' | 0.9 | 22 |
| 70W | 30" | 5' | 12' | 1.6 | 43 |
| 150W | 36" | 6' | 12' | 2.6 | 76 |
| Metal Halide | | | | | |
| 175W | 36" | 6' | 16' | 2.2 | 57 |
| 250W | 48" | 8' | 16' | 2.3 | 72 |