



Style 3037
Stack Light

Architect: OPN Architects

Construction Management: Durrant Group, Inc.

Engineer: KJWW Engineering Consultants

Photography: Main Street Studios

Stack Area:

Shelving: 7' tall x 21" wide back-to-back units

Aisles: Varying lengths, 3' wide, spaced 4'-9" o.c.

Ceiling: Approximately 8'-6" a.f.f.

Lighting: (201) 3037-T128-L-02-2-00-0 (4' lay-in units)

Estimated illuminance: 31.5 fcaI on vertical stack face (28 fci vertical at 30" a.f.f.);

53 fcaI on aisle floors

Estimated power density: 1.6 W/sf of stack area footprint

elliptipar Style 3037 Stack Light

The Carnegie-Stout Public Library has been in continuous operation since 1902, funded by Andrew Carnegie and built in the neoclassical revivalist style on property donated by Frank Stout. A 1981 wing utilized limestone facing to echo elements of the original building.

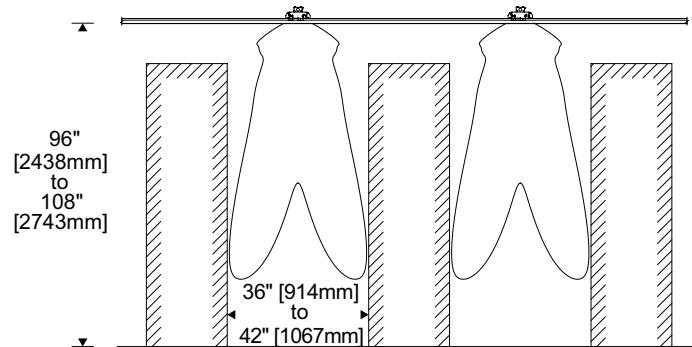
Placed on the National Register of Historic Places in 1975, the library has since become part of the growing movement toward sustainable restoration of historic buildings. LEED certification was a key goal of the library's \$6.5 million renovation in 2010, which it achieved at the Silver level.

Recessed **3037s** were chosen to light the library's collections and contribute to the overall energy goals of the project. Using a single T5 lamp, fixtures are mounted in continuous rows parallel to and centered between the stacks. A precise extruded aluminum reflector drives light to the bottom shelves on both sides of the aisle, maximizing usable shelf space and legibility of titles.

When mounted at 8' a.f.f., the reflectors used in **elliptipar's Stack Light** series meet or exceed IESNA recommended light levels of 30 fc vertical at 30" with a single 28W T5. Continuous runs interrupted by cross-aisles typically comply with ASHRAE/IESNA Energy Standards and California's Title 24 energy code.



Mounted flush with the ceiling tiles, the **Style 3037** is a powerful yet unobtrusive lighting solution for library stacks, archives and server farms.



Grid ceilings typically require areas of cut tiles to allow recessed **3037s** to be centered over aisles.



The **3037** is compatible with most lay-in grid ceilings with T-bar supports.