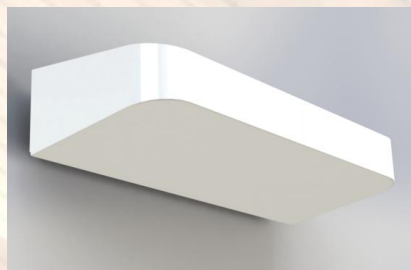


elliptipar® **S413** **S414** **S415**

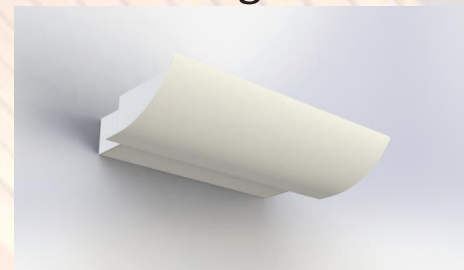
S413 Driver-in-wall



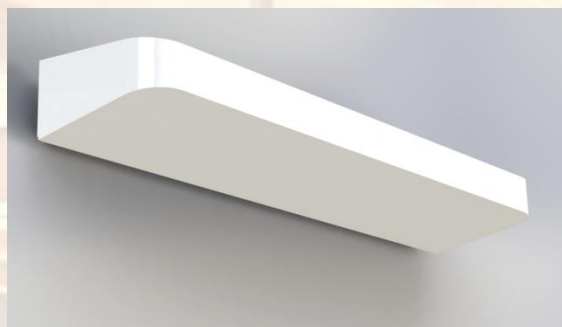
S414 Remote Driver



S415 Integral Driver



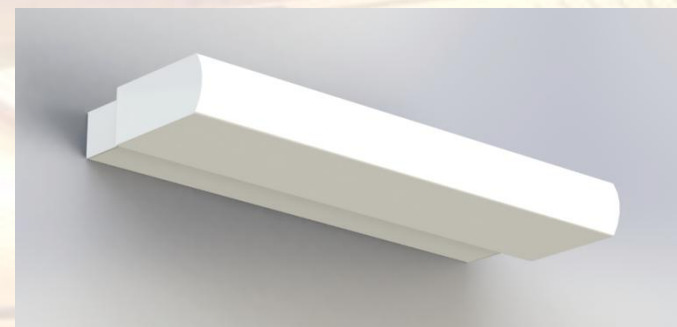
S413 Driver-in-wall



S414 Remote Driver



S415 Integral Driver

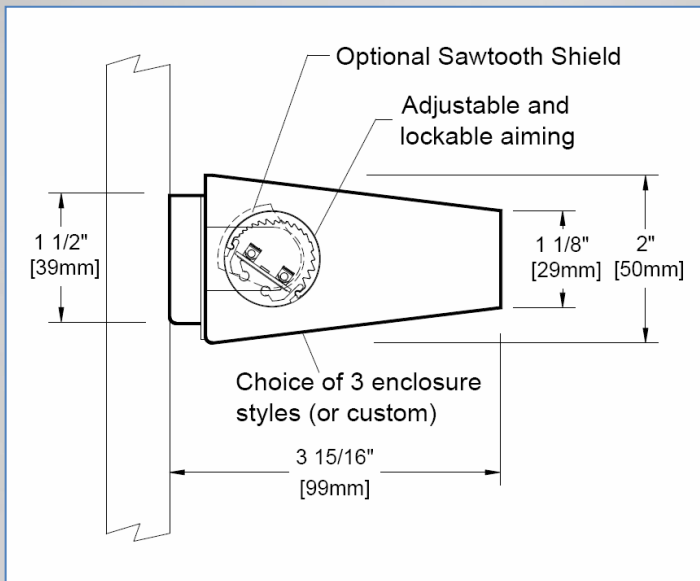


XtraSmall **Ensconce**®

LiQ/elliptipar
tambient

elliptipar® S413 S414 S415

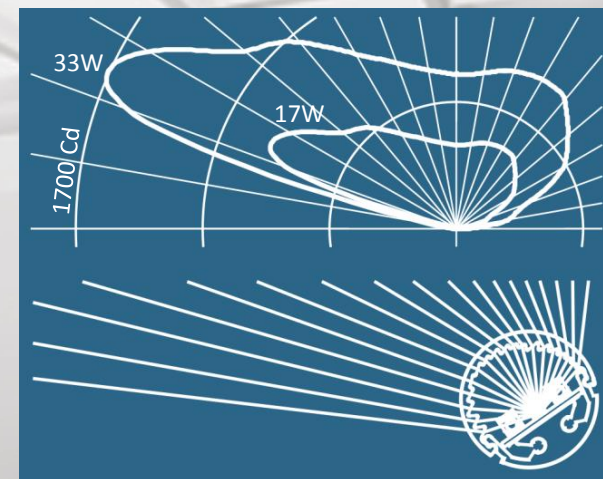
XtraSmall Ensconce®



S414 S415	8"	14"
# of LEDs	28	56
Current mA	350	350
Power	17W	33W
Lumens	1660	3409
Efficacy lm/W	100	103
Peak Candela	876	1694
Adjustable Aim?	Yes	Yes

Based on 3500K/80+CRI,
Use 0.86 multiplier for S413

- **ADA compliant** – Styles S413 and S414 project less than 4 inches from the wall
- **Next generation refractive lens technology** optimized for illuminating surfaces uniformly
- **Minimalist design** - 1 1/2" high enclosure
- **Horizontal shielding** of lens brightness
- **Fully adjustable** and lockable aiming
- **Optional adjustable saw tooth shield** to minimize backslash on wall above
- **Variety of enclosure styles** and custom designs available upon request
- **High efficacy** – up to 108 lumens per watt
- **Choice of 2700, 3000, 3500, 4000K** in 80+ or 90+CRI, Other CCT and CRI available
- **Delivered lumens** – up to 3476 lumens (32W)
- **Excellent lumen maintenance** – maintains over 90% light output beyond 60,000 hours per TM-21
- **Universal voltage** 120-277V or 347V drivers
- **Several dimming options** (0-10V, ELV, DALI...)
- **Aluminum and stainless steel** construction – ideal for use in MRI suites (MRI filters available)



800-847-6067