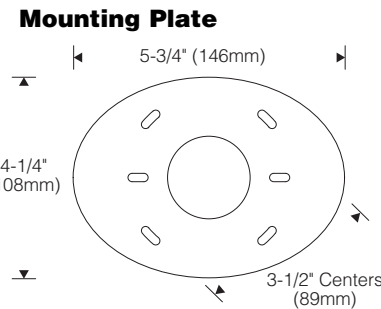
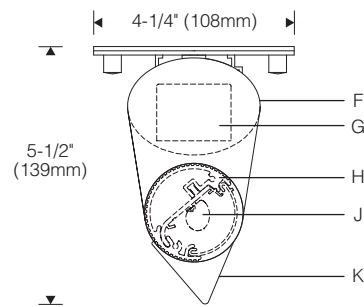
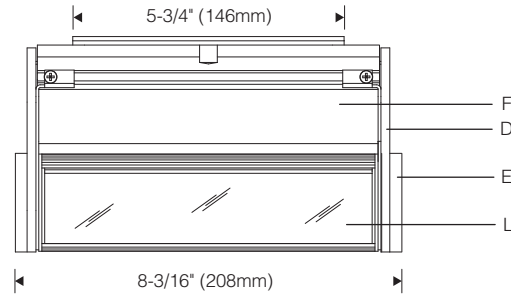
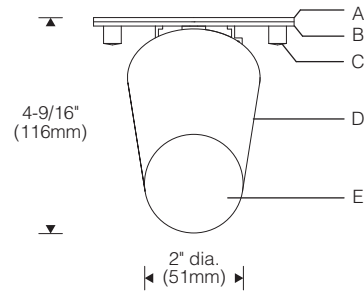
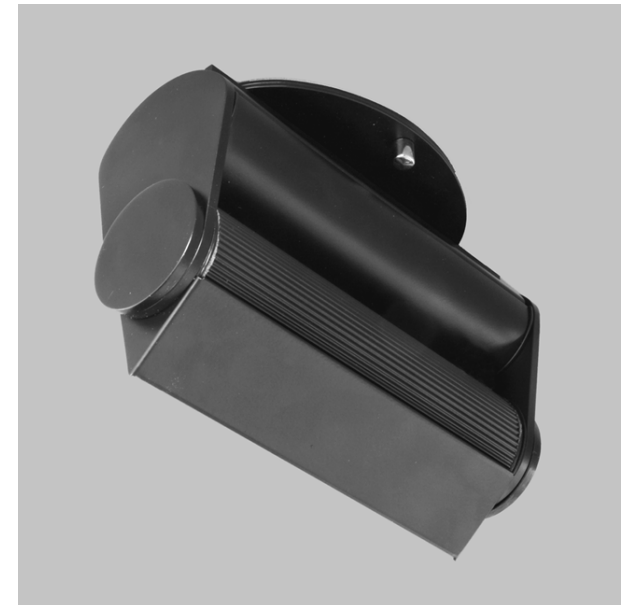
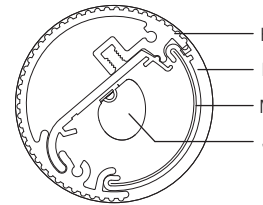


Style S105 1:4 Scale



Optical Assembly 1:2 Scale



Specifications

- |  |   |   |   |
|--|---|---|---|
| <b>A</b> Stamped aluminum mounting plate | <b>D</b> Aluminum side arms               | <b>H</b> Extruded aluminum heat sink/housing                                  | <b>K</b> Short visor                    |
| <b>B</b> Aluminum canopy plate           | <b>E</b> Decorative knob                  | <b>J</b> Field serviceable light engine with <b>fraqtir™</b> asymmetric optic | <b>L</b> Impact resistant extruded lens |
| <b>C</b> Chrome cap nuts                 | <b>F</b> Extruded aluminum driver housing |   | <b>M</b> Holographic diffuser           |
|  | <b>G</b> Electronic driver                |   |   |

Optic Assembly:

Two-piece extruded aluminum heat sink/optic housing. Exterior heat sink anodized for maximum emissivity. Removable interior extrusion treated to maximize thermal conductivity. Precision formed asymmetric optical light bar of high temperature, water-clear acrylic. Extruded impact resistant, high temperature, acrylic outer protective lens. Elliptical distribution holographic diffuser captured within outer protective lens, maximizes lateral distribution without disturbing asymmetric forward throw.

Finish:

Extruded aluminum heat sink/housing bright anodize, white or black finish. Extruded aluminum driver housing, stamped aluminum mounting plate, canopy, end plates finished white or black.

Painted surfaces – 6 stage pretreatment and electrostatically applied thermoset powder coat for stable, long lasting and corrosion resistant finish.

All hardware – stainless steel or nickel plated brass.

Mounting:

Mounting plate fastens over recessed outlet box. Canopy plate is secured to studs in mounting plate with cap nuts.

Pendant or cantilever ordered separately; specify **X** mount. Pendant stem – 11/16" O.D. aluminum, internally threaded. 5" dia. x 1/2" aluminum canopy. Cantilever – 1" x 2" steel arm. Interface plate (under canopy) allows ±5° leveling. Suitable backing structure required. Track mounting available; specify **K** mount. Consult factory. Fixture weight: 3.0 lb (1.4 kg).

Electrical:

Use 90°C wire for supply connections. Integral electronic HPF constant current driver. For complete driver specifications, see website, reference document [MA-1303](#).

Optional electronic dimming driver; compatible dimming controls (by others). See website for dimming compatibility and specifications.

Standard:

UL listed or CSA certified for dry locations. 5 year warranty, maximum ambient temperature 45°C (113°F).

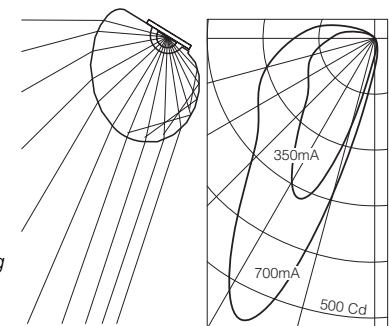
Features

- **fraqtir** technology – precise asymmetric optical control
- Wide distribution – great vertical and lateral uniformity
- Integral driver – ease of installation
- Serviceability – removable light engine

Performance

**fraqtir** technology uses a combination of refraction and total internal reflection, creating a distribution of light ideal for illuminating surfaces uniformly. Glare is minimized while light delivered to the target is maximized, resulting in high efficiency.

For LM79 and photometric reports, visit [thelightingquotient.com](http://thelightingquotient.com)



L90(10k) > 60,000 hrs @ 25°C per TM-21



**To form a Catalog Number**

S | 1 | 0 | 5 | - | | - | | - | | - | | - | | - | | - | | - | | - | | - | | - | | - | | - | | - | |

1    2            3            4            5            6            7            8            9            10

Project: \_\_\_\_\_

Type: \_\_\_\_\_

**1 Source**

S = Solid state (LED)

**2 Style**

105 = Xtra small fluted surface mount LED with integral driver

**3 Drive Current/Light Output**

L007 = 7 LEDs @ 350mA (507 lumens, 9W)

M007 = 7 LEDs @ 700mA (912 lumens, 18W)

Based on 3000K/80+ CRI. [Click here](#) for scaled performance table.

Note: 0350 and 0700 codes are discontinued.

**4 Mounting**

E = Ceiling (surface) mount

X = For use with pendant or cantilever (ordered separately)

K = Track mounted (consult factory for available track manufacturers and types)

**5 Finish**

01 = Anodized optical housing/heat sink, silver painted trim

02 = Semigloss white

08 = Semigloss black

**6 Voltage/Driver**

Electronic Driver

Electronic Dimming Driver\*

8 = 120-277V

M = 120-277V

\*Dimming range refers to % power input, % light output will vary.

Refer to Driver Information document [MA-1303](#)

**7 Option** (see Accessories Section for specifications)

SV = Short visor

V0 = Cutoff visor

**8 Destination Requirement**

0 = UL listed or CSA certified for U.S.

J = UL listed or CSA certified for Canada

**9 Color Temperature**

27 = 2700K, 80+ CRI

2H = 2700K, 90+ CRI

30 = 3000K, 80+ CRI

3H = 3000K, 90+ CRI

35 = 3500K, 80+ CRI

40 = 4000K, 80+ CRI

4L = 4000K, 70+ CRI

Note: Additional CCT and CRI options are available; consult factory.

**10 Dimming\*\***

00 = Non-dimming

TE = LighTech 120-277V input, dimming range 100%-10%, line voltage trailing edge/reverse phase/ELV dimming controls by others

ZX = 0-10V analog dimming 120-277V input, dimming range 100%-5%, 0-10V controls by others

\*\* Dimming range refers to % power input, % light output will vary. For lower dimming level options see Style S099 on page SW3.1.

Refer to Driver Information document [MA-1303](#)

**Example**

**S105-M007-E-08-M-00-0-30-ZX**

Xtra small fluted surface mounted LED, extruded aluminum driver housing, heat sink/housing, decorative end plates finished semigloss black. Integral 120-277V 700mA dimming driver compatible with 0-10V controls by others dims to 5% power, UL listed or CSA certified for U.S., dry location. 3000K/80+ CRI.

**Accessories**

Order separately. See Accessories Section for specifications.

VQC \_\_\_\_\_ 30 \_\_\_\_\_ = Cantilever, 30" (760mm) setback

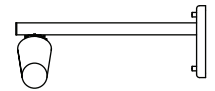
0 = U.S.

J = Canada

02 = Semigloss white

07 = Silver

08 = Semigloss black



VP \_\_\_\_\_ = Wallwash pendant

0 = U.S.

J = Canada

Length in inches  
(60" (1.5m) maximum)

02 = Semigloss white

07 = Silver

08 = Semigloss black

L = Straight

E = Swivel (up to 45°)

