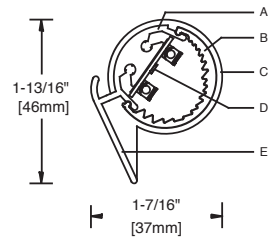
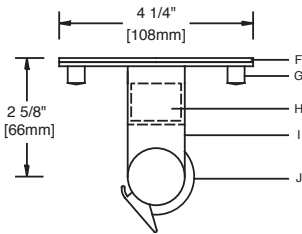


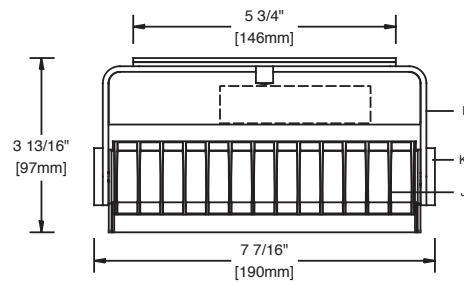
Optical Assembly 1:2 Scale



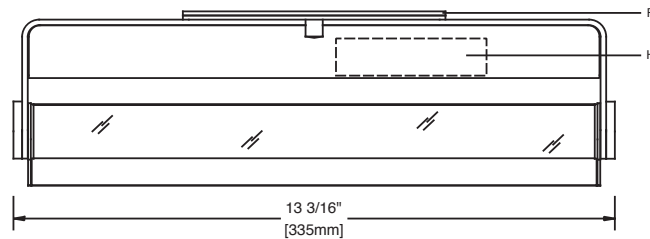
Ceiling Mounted 1:4 Scale



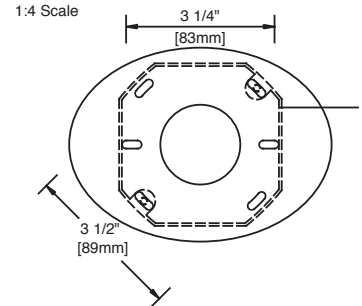
Front View (24-LED) w/ baffle 1:4 Scale



Front View (48-LED) 1:4 Scale



Mounting Plate 1:4 Scale



"E" & "S" Mount



"X" Mount

"X" Mount

Specifications

- | | | | |
|--|--|----------------------------------|--|
| A Extruded aluminum heat sink housing | D Linear LED PCB with CSP LEDs | G Chrome cap nuts | K Aluminum knobs |
| B Extruded semi-diffuse lens | E Integral visor (extruded aluminum) | H Electronic LED Driver | M Recessed outlet box (by others) |
| C Aluminum end plate 1-1/8" dia. | F Oval aluminum mounting plate and canopy | I Formed aluminum yoke | |
| | | J Injection molded baffle | |

Optic Assembly:

Extruded aluminum heat sink/housing. Exterior heat sink anodized for maximum emissivity. Precision extruded polymer refractive lens with optimal diffusion.

Finish:

Extruded aluminum heat sink/housing, aluminum reveal plates and end plates finished white, black or custom color. Painted surfaces – 6 stage pretreatment and electrostatically applied thermoset polyester powder coating for a durable abrasion, fade and corrosion resistant finish. All hardware – stainless steel or nickel plated brass.

Mounting:

E-mount canopy mounts over recessed outlet box (by others). S-mount yoke mounts to surface with direct feed into yoke. X-mount for use with pendant or cantilever accessory (ordered separately). Track mounting available; specify K mount (consult factory) Formed aluminum yoke, mounting plate, canopy and knobs, aluminum mounting plate and canopy.

Fixture weight: 28 LED unit = 1.5 lbs (0.68 kg); 56 LED unit = 2.0 lbs (0.91 kg)

Electrical:

Integral electronic HPF thermally protected Class II driver mounted in aluminum splice compartment on yoke. For complete driver specifications, see website, reference document [MA-1303](#). Optional electronic dimming driver; compatible dimming controls (by others). See website for dimming compatibility and specifications.

Standard:

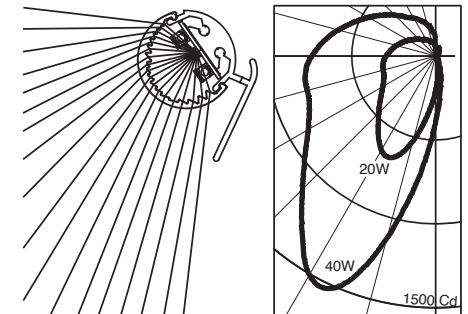
UL listed or CSA certified for dry locations. 5 year warranty, maximum ambient temperature 45°C (113°F).

Features

- Inconspicuous low profile - lights wall evenly without emphasizing surface imperfections
- Built in visor provides shielding of glare from below
- Adjustable and lockable aiming
- Small elegant hub hangers

Performance

Precisely extruded acrylic lens produces an asymmetric distribution ideal for illuminating vertical surfaced evenly from top to bottom.



L90(10k) > 60,000 hrs. @ 25°C per TM-21

For complete photometrics, visit thelightingquotient.com



