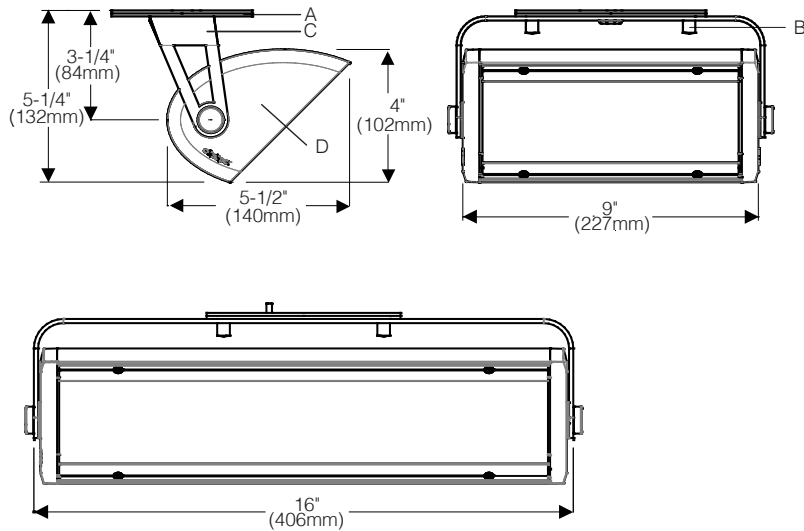
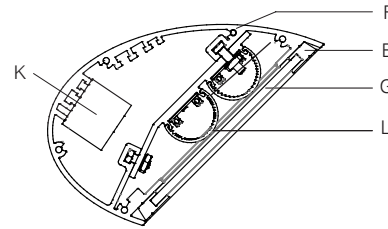


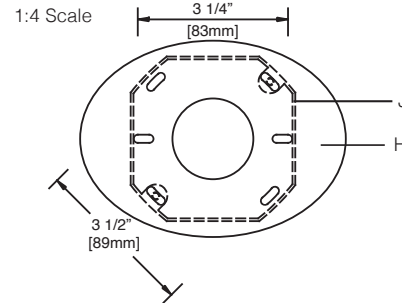
E Mount 1:8 Scale



Canopy



Mounting Plate



Specifications

- | | | | |
|------------------------------|---|--|--|
| A Aluminum canopy | E Extruded aluminum door rails with silicone gaske | G Micro-prismatic tempered glass lens | K Integral constant current driver |
| B Chrome cap nuts | F Extruded aluminum heat sink/housing | H Mounting Plate | L Field serviceable LED light engine with polymer refractive lens |
| C Aluminum yoke | | J Recessed outlet box (by others) | |
| D Die-cast end plates | | | |

Features

- The classic wall washer look using advanced LED optics
- Adjustable optics – tailor performance to wall height and setback distance
- Versatile – canopy, pendant, cantilever, or track
- Die-cast end plates join at articulated black reveals; machined aluminum knobs – no exposed fasteners



Optic Assembly:

Two-piece extruded aluminum heat sink housing and light engine. Exterior heat sink anodized for maximum emissivity. Precision extruded polymer refractive lens with optimized asymmetric distribution. Light engine may be removed for service or upgrade. Clear Tempered microprismatic glass lens. Stainless steel hardware.

Finish:

Painted surfaces – 6 stage pretreatment and electrostatically applied thermoset polyester powder coating for a durable abrasion, fade and corrosion resistant finish.

Extruded aluminum heat sink/housing, canopy, yoke, door frame and decorative end plates are finished in semigloss white. Yoke available in other colors. All luminaire hardware is stainless steel; all mounting hardware – zinc or cadmium plated.

Mounting:

Canopy mounts over recessed outlet box.

Pendant or cantilever mounting assembly utilizes required

mounting hanger (see pg. SW31.1) ordered and priced separately; specify **X** mount.

Track mounting available; specify **K** mount, **consult factory**. Fixture weight: 4.5 lbs (2.0 kg)

Electrical:

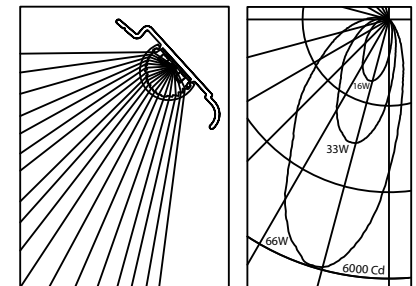
Integral electronic HPF constant current driver. For complete driver specifications, see website, reference document **MA-1303**. Leads exit housing through silicone coated fiberglass sleeving, enter canopy through strain relief for supply connections in recessed outlet box (by others). 60" (1.5m) leads provided for **X** mount.

Standard:

CSA certified for dry locations, specify natatorium option for damp location. 5 year warranty, maximum ambient temperature 45°C (113°F)

Performance

Precisely extruded acrylic lens produces an asymmetric distribution ideal for illuminating vertical surfaces evenly from top to bottom.



L90(10k) > 60,000 hrs. @ 25°C per TM-21

For LM79 and photometric reports, visit thelightingquotient.com



