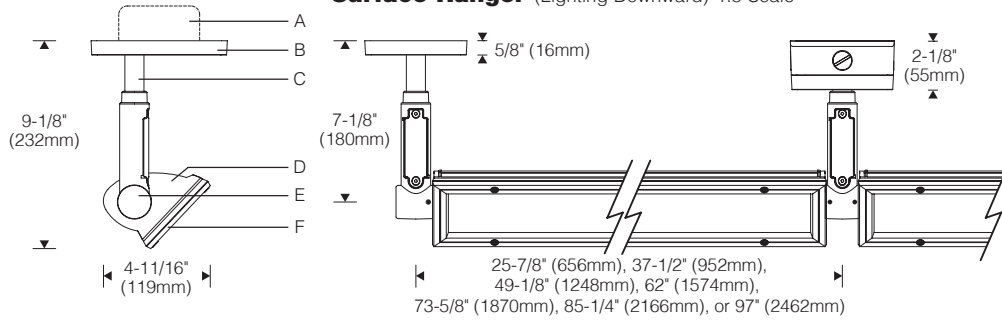
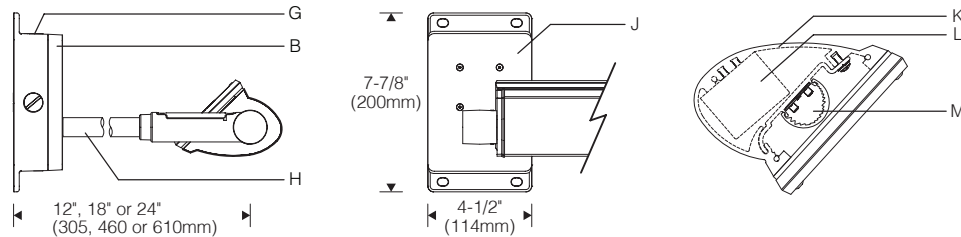


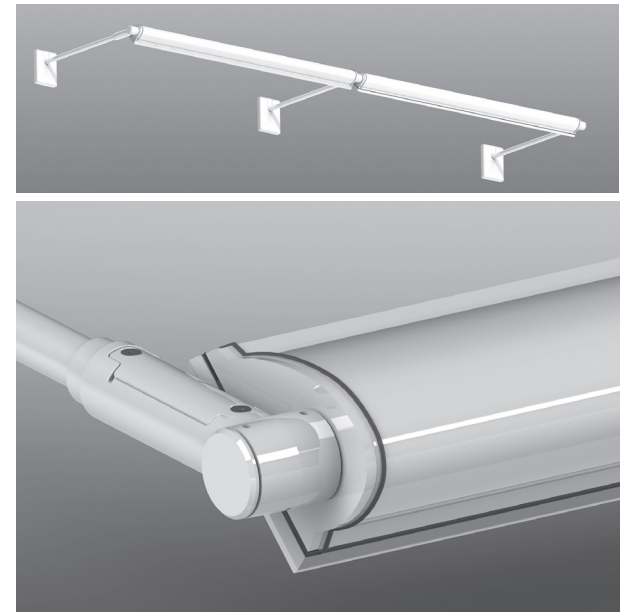
Surface Hanger (Lighting Downward) 1:8 Scale



Cantilever Hanger (Lighting Upward) 1:8 Scale



Internal Components
1:4 Scale



Specifications

- | | | | |
|---|--|--|---|
| 6 Recessed outlet box (by others) | 9 Die-cast aluminum end plate | < Die-cast aluminum splice box | A Integral high power factor constant current driver |
| 7 Die-cast aluminum mounting plate | : Die-cast aluminum hub with splice compartment | = Schedule 40 galvanized steel cantilever arm (7/8" O.D.) | B Field serviceable light engine with asymmetric optic |
| 8 Aluminum surface hanger stem | ; Extruded aluminum door frame with mitered corners, tempered micro-prismatic glass lens | ? Aluminum splice/access cover | |
| | | @ Extruded aluminum heat sink/housing | |

Features

- Watertight operation facing up or down
- Rugged all aluminum and stainless steel construction – polyester powder coat exceeds 1000 hour salt spray test
- Versatile – surface, cantilever or pendant mount
- Several lumen packages that put the light on target



Optic Assembly:

Two-piece extruded aluminum heat sink housing and light engine. Precision extruded polymer refractive lens with optimized asymmetric distribution. Extruded aluminum door frame with tamper-resistant fasteners. Tempered microprismatic glass lens and holographic diffuser with silicone gasket for watertight operation when facing upward or downward.

Finish:

Exterior surfaces – 6 stage pretreatment and electrostatically applied thermoset polyester powder coating for a durable abrasion, fade and corrosion resistant finish. All hardware and components – non-corrosive stainless steel or aluminum.

Electrical:

Integral electronic HPF constant current driver(s), dimming drivers are optional. For complete driver specifications, see website, reference document [MA-1303](#). 84" leads exit one end of housing.

Mounting:

Required 1-1/2" diameter x 1-1/2" aluminum hubs with 1/2" NPT threaded entry, ordered and priced separately. Housing aiming is adjustable – locks with set screws. Alternately, order hubs with surface, pendant or cantilever hangers (see SV4.1). Hangers include aluminum mounting plate, cover plate and hub with 7/8" O.D. steel arm/stem. Specify end kit or intermediate hubs/hangers.

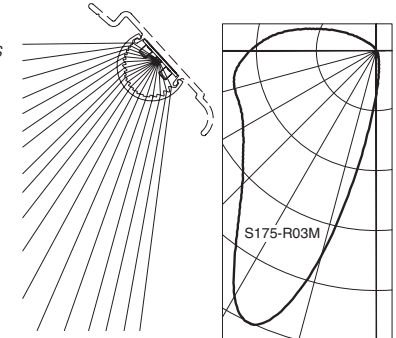
Fixture weight: 3.5 lbs/ft (5.1 kg/m)

Standard:

UL listed or CSA certified for wet locations when mounted horizontally. For positions other than horizontal, consult factory.
5 year warranty, maximum ambient temperature 45°C (113°F).

Performance

Precisely extruded acrylic lens produces an asymmetric distribution ideal for illuminating vertical surfaces evenly from top to bottom.



L90(10k) > 60,000 hrs.
@ 25°C per TM-21

For LM79 and photometric reports, visit thelightingquotient.com



To form a Catalog Number

S | 1 | 7 | 5 | - | - | - | - | - | - | - | - | - | - |

1 2 3 4 5 6 7 8 9 10 11

Project: _____

Type: _____

1 Source

S = Solid state (LED)

2 Style

175 = Small linear outdoor LED, integral driver

3 Output

L = Low output (3.3W per foot)
S = Standard output (6.5W per foot)
H = High output (13W per foot)

4 Length

2 = 2 feet, 24" (610mm)
3 = 3 feet, 36" (914mm)
4 = 4 feet, 48" (1219mm)
5 = 5 feet, 60" (1524mm)
6 = 6 feet, 72" (1829mm)
7 = 7 feet, 84" (2134mm)
8 = 8 feet, 96" (2438mm)

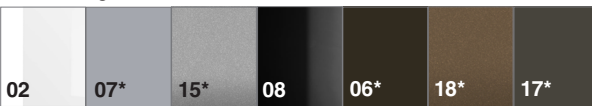
See [Scaled Performance Table](#)

5 Mounting

H = For use with required mounting hubs only or mounting hubs with surface or pendant/cantilever hangers — ordered and priced separately, see hubs/hangers at right.

6 Finish

02 = Semigloss white **15** = Metallic **99** = Custom or RAL, consult sales rep.*
06 = Dark bronze* **17** = Champagne* **07** = Silver* **18** = Copper*
08 = Semigloss black



* = non-cancellable/returnable

7 Voltage

M = 120-277V Universal voltage input
K = 347V input

8 Option

00 = No options
V0 = Cutoff visor
XX = For modification not listed, include detailed description. Consult factory prior to specification.

9 Destination Requirement

0 = UL listed or CSA certified for U.S.
J = UL listed or CSA certified for Canada

10 Color Temperature / CRI

927 = 2700K, 90+ CRI **TWH** = Tunable White

930 = 3000K, 90+ CRI 2700K-6500K 90+ CRI

935 = 3500K, 90+ CRI **RGB** = Color tunable

940 = 4000K, 90+ CRI RGBW with 3500K, 90+ CRI white

Note: Additional CCT and CRI options are available; consult factory.

11 Dimming

00 = Non-dimming
ZX = 0-10V analog dimming 120-277V or 347V input, dimming 100%-1%, 0-10V controls by others
EL = 0-10V eldoLED SOLOdrive, 120-277V input, dimming 100%-0.1%, 0-10V controls by others
ED = DALI eldoLED SOLOdrive, 120-277V input, dimming 100%-0.1%, DALI controls by others
TD = ERP forward or reverse phase 120V only, dimming 100%-6%, 120V phase controls by others
DZ = TWH 2-Channel driver for use with (2) 0-10V controls by others
DD = TWH 2-Channel DALI driver (DALI controls by others)
DA = RGBW 4-Channel DMX module (DMX controls by others)
DM = RGBW 4-Channel eldoLED LINEARdrive (DMX controls by others)

Required Hubs, with Hangers

HOJ (hubs only), **HFA** or **HFC** (hubs with hangers) are required — ordered and priced separately. Order two hangers and one **HFE end of row kit** (pair of end caps) for each individually mounted luminaire or each row. For a continuous row, order one hanger for each additional luminaire in the row. Example: three rows of four housings requires 3 HFE end cap kits and 15 hangers. **Note: Recessed outlet box by others or splice box style hanger required at each mounted location for electrical connections.**

HFA Surface hanger, mounting/splice box options — standard length 7-1/8"

HFC Cantilever or pendant hanger, mounting/splice box options — 24" maximum horizontal for cantilever mount — 60" maximum vertical for pendant mount

Required Hubs Only, End of Row Kit

HOJ (hubs only), **HFA** or **HFC** (hubs with hangers) are required — ordered and priced separately. Hubs for use with 1/2" rigid conduit or fittings (supplied by others). Order two hubs and one **HFE end of row kit** (pair of end caps) for each individually mounted luminaire or each row. For a continuous row, order one hub for each additional luminaire in the row. Example: three rows of four housings requires 3 HFE end cap kits and 15 hubs. **Note: Locate electrical feed at end of row.**

HOJ Mounting hub only (each)
HFE End of row kit (two end caps)

Controls

AWB-TP-DMX-0 = RGBW LED dimmer switch fits in a standard wall switch box and provides on/off control as well as fixed levels of dimmability. The dimmer switch has a color-selection wheel for thousands of color options, 10 dynamic color-changing/single color modes, 0-100% dimming, on/off controls, and 4 color-specific channel controls for red, green, blue, and white.



Additional Wired and wireless controls available, see [Driver and Controls Information](#)

The external shapes of the housings are trademarks of Sylvan R. Shemitz Designs, LLC dba **The Lighting Quotient**, makers of **elliptipar**, **tambient** and **fracfir**.

Certain products illustrated may be covered by applicable patents and patents pending. These specifications supersede all prior publications and are subject to change without notice. Copyright © 2021 Sylvan R. Shemitz Designs, LLC, all rights reserved.

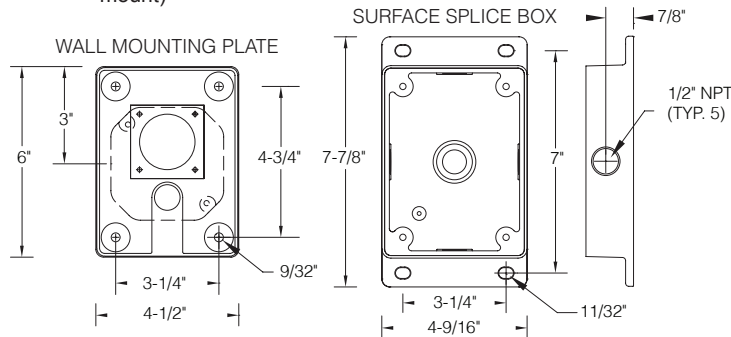


Hubs, Hangers and Splice Boxes Style S175 Solid State/LED

Ordering information for HUBS with HANGERS and SPLICE BOXES:

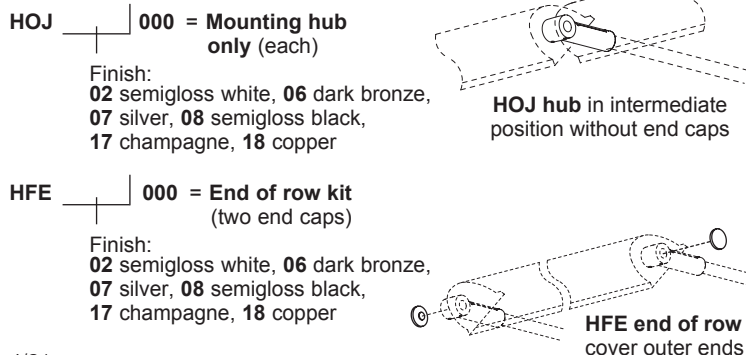
Order two hangers and one HFE end of row kit (two end caps, ordering info in hubs, below) for each individually mounted luminaire or each row. For a continuous row, order a hanger for each additional luminaire in the row. Example: one row of four reflectors requires five hangers and one HFE kit.

HF | | | | | 0 = Hub mounting hangers
 Length in inches (see below for maximum pendant and cantilever lengths); enter "00" for HFA hangers
 Finish: 02 semigloss white, 06 dark bronze, 07 silver, 08 semigloss black, 17 champagne, 18 copper
 0 = mounting plate, no splice box
 1 = mounting plate with surface splice box
 A = Surface hanger (standard length is 7-1/8")
 C = Cantilever or pendant hanger (24" maximum horizontal for cantilever mount) (60" maximum vertical for pendant mount)

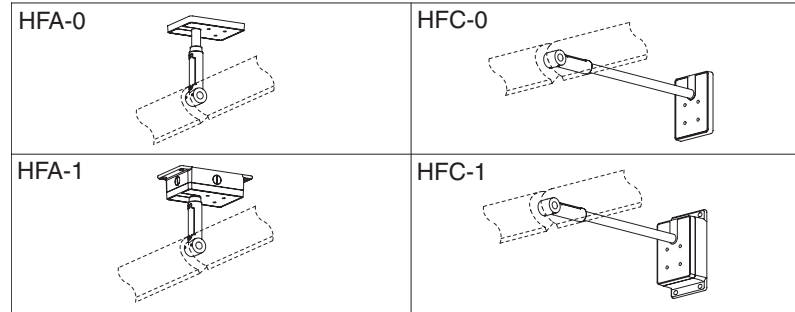


Ordering information for HUBS without stems or mounting plates:

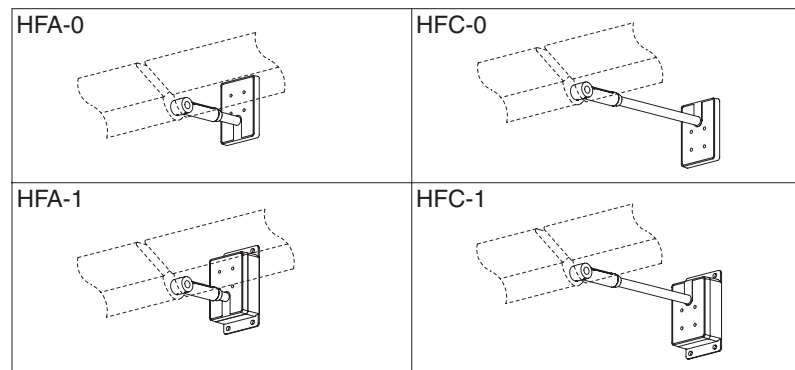
For use with 1/2" rigid conduit or fittings (supplied by others). Order two hubs and one HFE end of row kit (two end caps) for each individually mounted luminaire or each row. For a continuous row, order one hub for each additional luminaire in the row. Example: a row of six reflectors requires seven hubs and one HFE end of row kit.



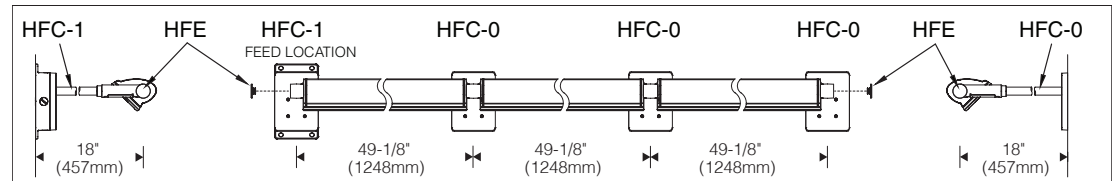
HUBS with HANGERS and SPLICE BOXES: Lighting the Vertical Plane



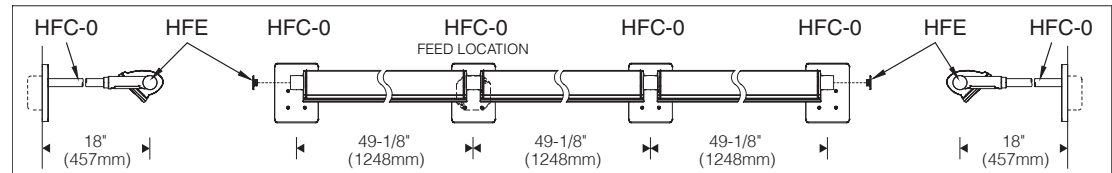
HUBS with HANGERS and SPLICE BOXES: Uplighting



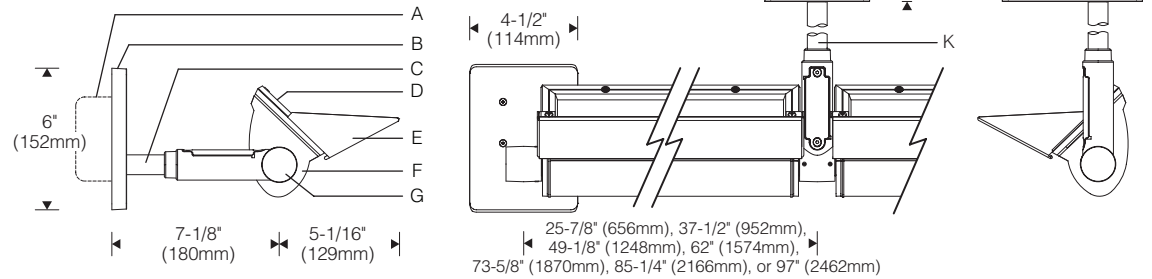
EXAMPLE 1: 12ft row with (3) 4ft S175 fixtures and (4) 18" wall wash cantilevers, surface conduit feed at first hanger. Order (3) S175-R04_ fixtures, (1) HFC-1 surface hanger with splice box, (3) HFC-0 surface hangers and (1) HFE end kit.



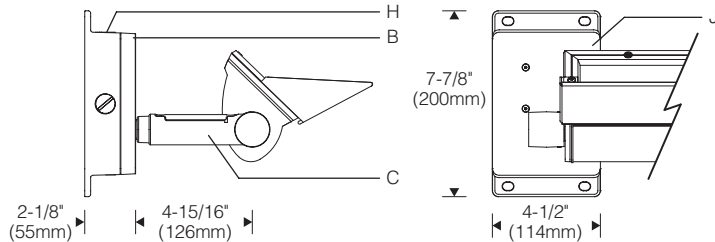
EXAMPLE 2: 12ft row with (3) 4ft S175 fixtures and (4) 18" wall wash cantilevers, recessed outlet box at second hanger. Order (3) S175-R04_ fixtures, (4) HFC-0 surface hangers (one to use recessed outlet box feed), and (1) HFE end kit.



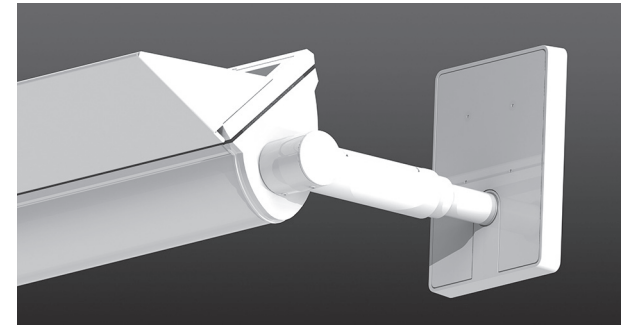
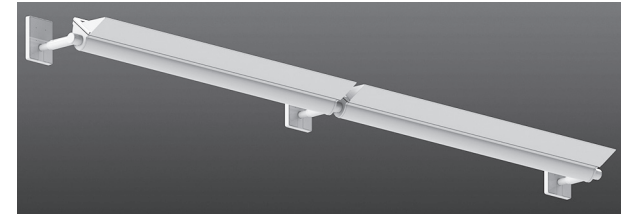
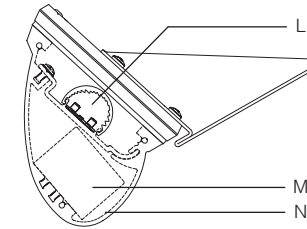
Surface Hanger (Lighting Upward) 1:8 Scale



Cantilever Hanger (Lighting Upward) 1:8 Scale



Internal Components 1:4 Scale



Specifications

- | | | | |
|---|--|--|---|
| A Recessed outlet box (by others) | E Aluminum cutoff visor | J Aluminum splice/ access cover | M Integral high power factor constant current driver |
| B Die-cast aluminum mounting plate | F Die-cast aluminum end plate | K Schedule 40 galvanized steel cantilever arm (7/8" O.D.) | N Extruded aluminum heat sink/housing |
| C Aluminum surface hanger stem | G Die-cast aluminum hub with splice compartment | L Field serviceable light engine with asymmetric optic | |
| D Extruded aluminum door frame with mitered corners, tempered micro-prismatic glass lens | H Die-cast aluminum splice box | | |

Features

- Watertight operation facing up or down
- Rugged all aluminum and stainless steel construction – polyester powder coat exceeds 1000 hour salt spray test
- Versatile – surface, cantilever or pendant mount
- Several lumen packages that put the light on target



Optic Assembly:

Two-piece extruded aluminum heat sink housing and light engine. Precision extruded polymer refractive lens with optimized asymmetric distribution. Extruded aluminum door frame with tamper-resistant fasteners. Tempered microprismatic glass lens and holographic diffuser with silicone gasket for watertight operation when facing upward or downward.

Finish:

Exterior surfaces – 6 stage pretreatment and electrostatically applied thermoset polyester powder coating for a durable abrasion, fade and corrosion resistant finish. All hardware and components – non-corrosive stainless steel or aluminum.

Electrical:

Integral electronic HPF constant current driver(s), dimming drivers are optional. 84" leads exit one end of housing. For complete driver specifications, see website, reference document [MA-1303](#).

Mounting:

Required 1-1/2" diameter x 1-1/2" aluminum hubs with 1/2" NPT threaded entry, ordered and priced separately. Housing aiming is adjustable – locks with set screws. Alternately, order hubs with surface, pendant or cantilever hangers (see SU4.1). Hangers include aluminum mounting plate, cover plate and hub with 7/8" O.D. steel arm/stem. Specify end kit or intermediate hubs/hangers.

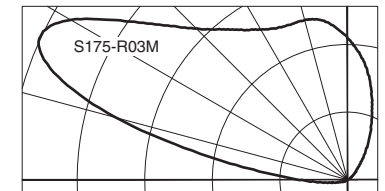
Fixture weight: 3.5 lbs/ft (5.1 kg/m)

Standard:

UL listed or CSA certified for wet locations when mounted horizontally. For positions other than horizontal, consult factory. 5 year warranty, maximum ambient temperature 45°C (113°F).

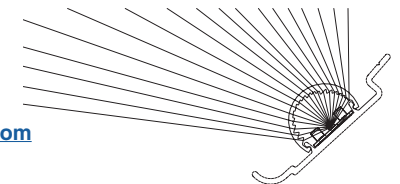
Performance

Precisely extruded acrylic lens produces an asymmetric distribution ideal for illuminating surfaces evenly.



L90(10k) > 60,000 hrs. @ 25°C per TM-21

For LM79 and photometric reports, visit thelightingquotient.com



To form a Catalog Number

S | 1 | 7 | 5 | - | - | - | - | - | - | - | - | - | - | - | - | - | - | - | - | - | - | - | -

Project: _____

Type: _____

1 Source

S = Solid state (LED)

2 Style

175 = Small linear outdoor LED, integral driver

3 Output

L = Low output (3.3W per foot)
S = Standard output (6.5W per foot)
H = High output (13W per foot)

4 Length

2 = 2 feet, 24" (610mm)
3 = 3 feet, 36" (914mm)
4 = 4 feet, 48" (1219mm)
5 = 5 feet, 60" (1524mm)
6 = 6 feet, 72" (1829mm)
7 = 7 feet, 84" (2134mm)
8 = 8 feet, 96" (2438mm)

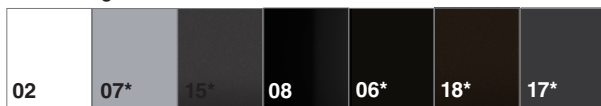
See Scaled Performance Table

5 Mounting

H = For use with required mounting hubs only or mounting hubs with surface or pendant/cantilever hangers — ordered and priced separately, see hubs/hangers at right.

6 Finish

02 = Semigloss white 15 = Metallic 99 = Custom or RAL, consult sales
06 = Dark bronze* 17 = Champagne* rep.*
07 = Silver* 18 = Copper*
08 = Semigloss black



* = non-cancellable/returnable

7 Voltage

M = 120-277V Universal voltage input
K = 347V input

8 Option

00 = No options
V0 = Cutoff visor
XX = For modification not listed, include detailed description. Consult factory prior to specification.

9 Destination Requirement

0 = UL listed or CSA certified for U.S.
J = UL listed or CSA certified for Canada

10 Color Temperature / CRI

927 = 2700K, 90+ CRI TWH = Tunable White
930 = 3000K, 90+ CRI 2700K-6500K 90+CRI
935 = 3500K, 90+ CRI RGB = Color tunable
940 = 4000K, 90+ CRI RGBW with 3500K, 90+ CRI white

Note: Additional CCT and CRI options are available; consult factory.

11 Dimming

00 = Non-dimming
ZX = 0-10V analog dimming 120-277V or 347V input, dimming 100%-1%, 0-10V controls by others
EL = 0-10V eldoLED SOLOdrive, 120-277V input, dimming 100%-0.1%, 0-10V controls by others
ED = DALI eldoLED SOLOdrive, 120-277V input, dimming 100%-0.1%, DALI controls by others
TD = ERP forward or reverse phase 120V only, dimming 100%-6%, 120V phase controls by others
DZ = TWH 2-Channel driver for use with (2) 0-10V controls by others
DD = TWH 2-Channel DALI driver (DALI controls by others)
DA = RGBW 4-Channel DMX module (DMX controls by others)
DM = RGBW 4-Channel eldoLED LINEARdrive (DMX controls by others)

Required Hubs, with Hangers

H0J (hubs only), HFA or HFC (hubs with hangers) are required — ordered and priced separately. Order two hangers and one HFE end of row kit (pair of end caps) for each individually mounted luminaire or each row. For a continuous row, order one hanger for each additional luminaire in the row. Example: three rows of four housings requires 3 HFE end cap kits and 15 hangers. Note: Recessed outlet box by others or splice box style hanger required at each mounted location for electrical connections.

HFA Surface hanger, mounting/splice box options — standard length 7-1/8"
HFC Cantilever or pendant hanger, mounting/splice box options — 24" maximum horizontal for cantilever mount — 60" maximum vertical for pendant mount

Required Hubs Only, End of Row Kit

H0J (hubs only), HFA or HFC (hubs with hangers) are required — ordered and priced separately. Hubs for use with 1/2" rigid conduit or fittings (supplied by others). Order two hubs and one HFE end of row kit (pair of end caps) for each individually mounted luminaire or each row. For a continuous row, order one hub for each additional luminaire in the row. Example: three rows of four housings requires 3 HFE end cap kits and 15 hubs. Note: Locate electrical feed at end of row.

H0J Mounting hub only (each)
HFE End of row kit (two end caps)

Controls

AWB-TP-DMX-0 = RGBW LED dimmer switch fits in a standard wall switch box and provides on/off control as well as fixed levels of dimmability. The dimmer switch has a color-selection wheel for thousands of color options, 10 dynamic color-changing/single color modes, 0-100% dimming, on/off controls, and 4 color-specific channel controls for red, green, blue, and white.



Additional Wired and wireless controls available, see Driver and Controls Information

The external shapes of the housings are trademarks of Sylvan R. Shemitz Designs, LLC dba The Lighting Quotient, makers of elliptipar, ambient and fragtir.

Certain products illustrated may be covered by applicable patents and patents pending. These specifications supersede all prior publications and are subject to change without notice. Copyright © 2021 Sylvan R. Shemitz Designs, LLC, all rights reserved.

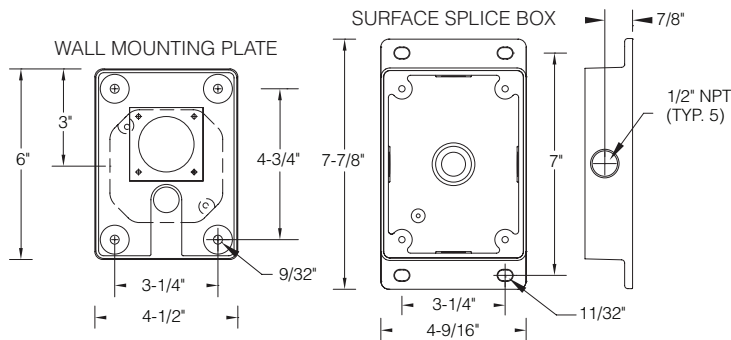


Hubs, Hangers and Splice Boxes Style S175 Solid State/LED

Ordering information for HUBS with HANGERS and SPLICE BOXES:

Order two hangers and one **HFE end of row kit** (two end caps, ordering info in hubs, below) for each individually mounted luminaire or each row. For a continuous row, order a hanger for each additional luminaire in the row. Example: one row of four reflectors requires five hangers and one HFE kit.

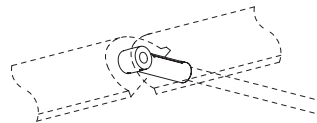
HF | | | | | **0** = Hub mounting hangers
 Length in inches (see below for maximum pendant and cantilever lengths); enter "00" for HFA hangers
 Finish: **02** semigloss white, **06** dark bronze, **07** silver, **08** semigloss black, **17** champagne, **18** copper
0 = mounting plate, no splice box
1 = mounting plate with surface splice box
A = Surface hanger (standard length is 7-1/8")
C = Cantilever or pendant hanger (24" maximum horizontal for cantilever mount) (60" maximum vertical for pendant mount)



Ordering information for HUBS without stems or mounting plates:

For use with 1/2" rigid conduit or fittings (supplied by others). Order two hubs and one **HFE end of row kit** (two end caps) for each individually mounted luminaire or each row. For a continuous row, order one hub for each additional luminaire in the row. Example: a row of six reflectors requires seven hubs and one HFE end of row kit.

HOJ | | | | | **000** = Mounting hub only (each)
 Finish: **02** semigloss white, **06** dark bronze, **07** silver, **08** semigloss black, **17** champagne, **18** copper



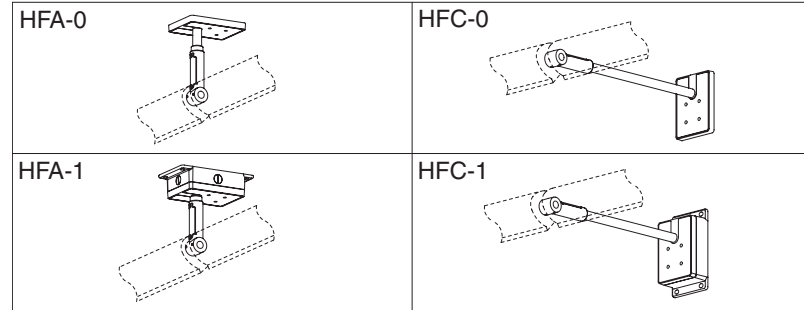
HOJ hub in intermediate position without end caps

HFE | | | | | **000** = End of row kit (two end caps)
 Finish: **02** semigloss white, **06** dark bronze, **07** silver, **08** semigloss black, **17** champagne, **18** copper

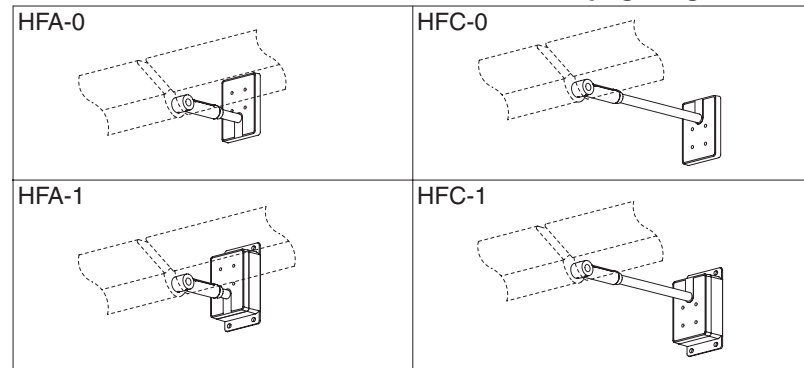


HFE end of row caps cover outer ends of hubs

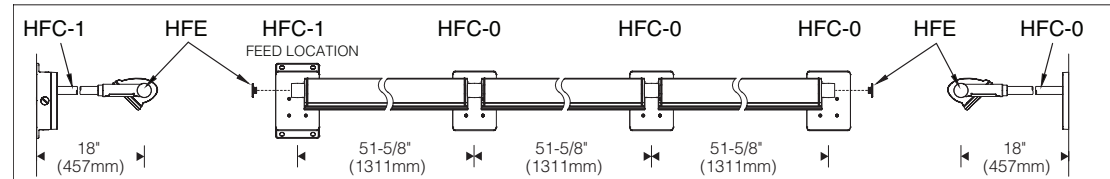
HUBS with HANGERS and SPLICE BOXES: Lighting the Vertical Plane



HUBS with HANGERS and SPLICE BOXES: Uplighting



EXAMPLE 1: 12ft row with (3) 4ft S175 fixtures and (4) 18" wall wash cantilevers, surface conduit feed at first hanger. Order (3) S175-R04_ fixtures, (1) HFC-1 surface hanger with splice box, (3) HFC-0 surface hangers and (1) HFE end kit.



EXAMPLE 2: 12ft row with (3) 4ft S175 fixtures and (4) 18" wall wash cantilevers, recessed outlet box at second hanger. Order (3) S175-R04_ fixtures, (4) HFC-0 surface hangers (one to use recessed outlet box feed), and (1) HFE end kit.

