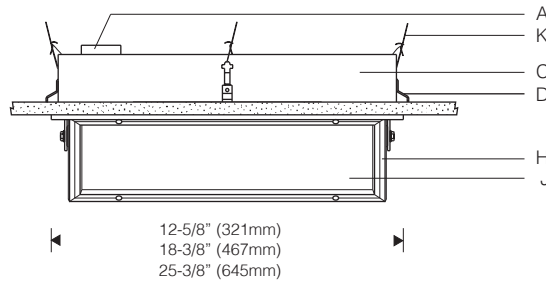
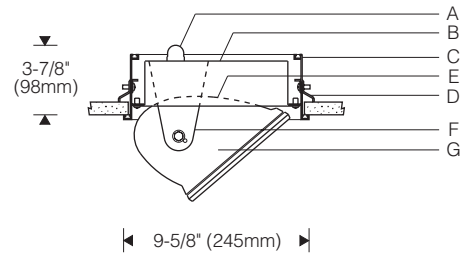
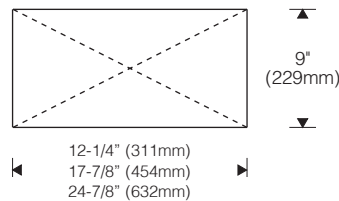
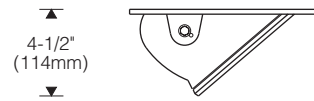


**Style 204** 1:10 Scale



**Ceiling Cutout**



**Specifications**

- |  |   |   |   |
|--|---|---|---|
| <b>A</b> Conduit connector                     | <b>D</b> Spring clips (4 provided)            | <b>G</b> Die-cast aluminum end plates                             | <b>J</b> Microprismatic tempered glass lens     |
| <b>B</b> Aluminum back box                     | <b>E</b> Specular extruded aluminum reflector | <b>H</b> Mitred extruded aluminum door frame with silicone gasket | <b>K</b> Supplemental support wires (by others) |
| <b>C</b> Extruded aluminum mounting/trim frame | <b>F</b> Aluminum yoke arms                   |   |   |

**Features**

- Adjustable – tailor performance to wall height and setback
- Shallow recessed depth – fits under ducts at core walls
- Maintains over 80% of initial light output after 60,000 hours
- 2700K through 4000K at 70+, 80+ or 90+ CRI
- Universal voltage drivers and light engines are serviceable for replacement or upgrade



**Optic Assembly:**

Two-piece extruded aluminum heat sink housing and light engine. Exterior heat sink anodized for maximum emissivity. Removable interior extrusion treated to maximize thermal conductivity. Precision formed asymmetric optical light bar of high temperature, water-clear acrylic. Tempered microprismatic glass lens with elliptical distribution holographic diffuser; maximizes lateral distribution without disturbing asymmetric forward throw.

**Finish:**

Painted surfaces – 6 stage pretreatment and electrostatically applied thermoset polyester powder coating for a durable abrasion, fade and corrosion resistant finish.

Extruded aluminum heat sink/housing, canopy, yoke, door frame and decorative end plates are finished in semigloss white. All luminaire hardware is stainless steel; mounting hardware is zinc or electroplated steel.

**Mounting:**

Mounting/trim frame installs from below finished ceiling. Retrofits into existing non-accessible ceilings. Spring clips provided for rigid ceilings (drywall, plaster) up to 1-3/4" (44mm) thick. Supplemental support wires, bar hangers, etc. (by others) required for accessible ceilings. Where wire suspension is prohibited, order accessory universal mounting brackets for use with 1/2" EMT, 1-1/2" lathing or C channel (by others).

**Electrical:**

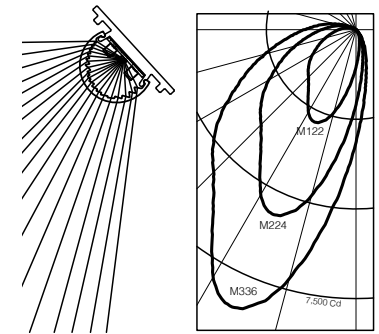
Integral electronic HPF constant current driver. For complete driver specifications, see website, reference document [MA-1303](#). Access plate on top of back box with two 1/2" knockouts for supply wiring. Internal splice compartment allows for access to splices below ceiling.

**Standard:**

UL listed or CSA certified for dry locations; specify **OP** option for damp locations. 5 year warranty, maximum ambient temperature 45°C (113°F).

**Performance**

Precisely extruded acrylic lens produces an asymmetric distribution ideal for illuminating vertical horizontal surfaces evenly.



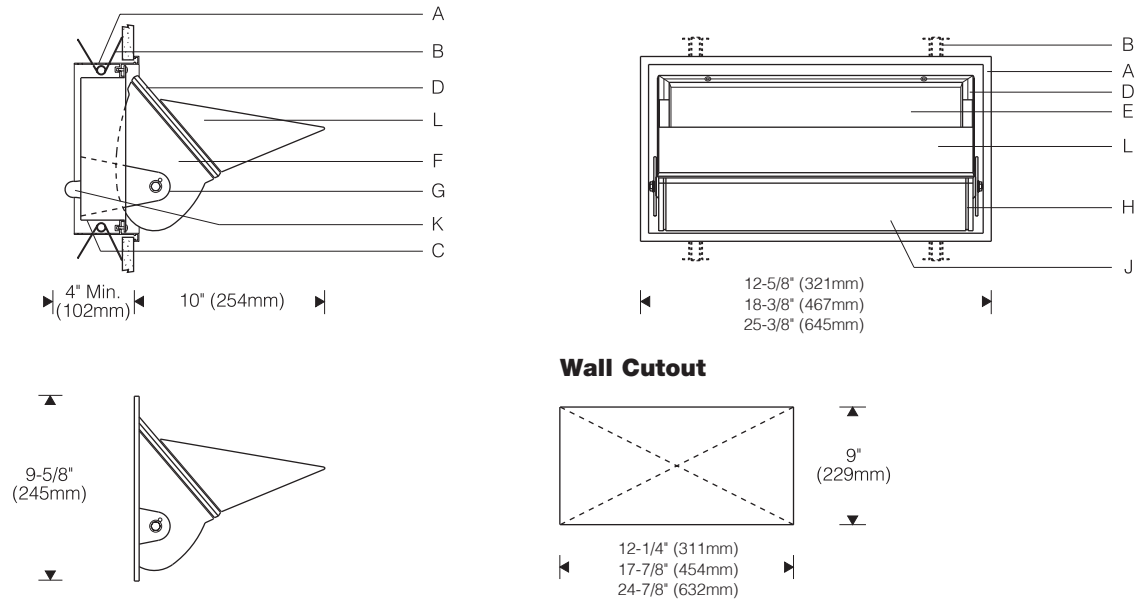
L90(10k) > 60,000 hrs.  
@ 25°C per TM-21

For LM79 and photometric reports, visit [theLightingQuotient.com](http://theLightingQuotient.com)





Style 204 1:10 Scale



Specifications

- |  |   |   |   |
|--|---|---|---|
| <b>A</b> Extruded aluminum mounting/trim frame | <b>D</b> Mitred extruded aluminum door frame with silicone gasket | <b>F</b> Die-cast aluminum end plates   | <b>J</b> Specular extruded aluminum reflector |
| <b>B</b> Spring clips (4 provided)             | <b>E</b> Micro-prismatic tempered glass lens                      | <b>G</b> Aluminum yoke arms             | <b>K</b> Conduit connector                    |
| <b>C</b> Aluminum back box                     |   | <b>H</b> Aluminum reveal plates (black) | <b>L</b> Solid cutoff visor (included)        |

Optic Assembly:

Two-piece extruded aluminum heat sink housing and light engine. Exterior heat sink anodized for maximum emissivity. Precision extruded polymer refractive lens with optimized asymmetric distribution. Light engine may be removed for service or upgrade. Clear Tempered microprismatic glass lens. Stainless steel hardware.

Finish:

Painted surfaces – 6 stage pretreatment and electrostatically applied thermoset polyester powder coating for a durable abrasion, fade and corrosion resistant finish. Formed aluminum visor.

Extruded aluminum heat sink/housing, canopy, yoke, door frame and decorative end plates are finished in semigloss white. All luminaire hardware is stainless steel; mounting hardware is zinc or electroplated steel.

Mounting:

Mounting/trim frame installs into finished wall. Clips provided for wall materials (drywall, plaster) up to 1-3/4" (44mm) thick.

Electrical:

Integral electronic HPF constant current driver. For complete driver specifications, see website, reference document **MA-1303**. Access plate on top of back box with two 1/2" knockouts for supply wiring. Internal splice compartment allows for access to splices below ceiling.

Standard:

UL listed or CSA certified for dry locations; specify **VP** option for damp locations. 5 year warranty, maximum ambient temperature 45°C (113°F).

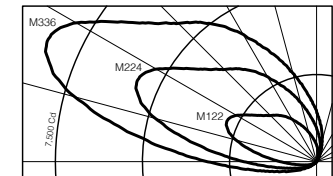
Features

- Adjustable – tailor performance to ceiling width, setback
- Shallow recessed depth
- Maintains over 80% of initial light output after 60,000 hours
- 2700K through 4000K at 70+, 80+ or 90+ CRI
- Universal voltage drivers and light engines are serviceable for replacement or upgrade

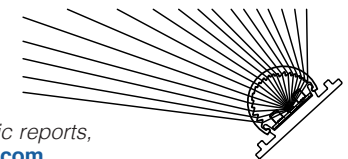


Performance

Precisely extruded acrylic lens produces an asymmetric distribution ideal for illuminating vertical surfaces evenly from top to bottom



L90(10k) > 60,000 hrs. @ 25°C per TM-21



For LM79 and photometric reports, visit [thelightingquotient.com](http://thelightingquotient.com)



