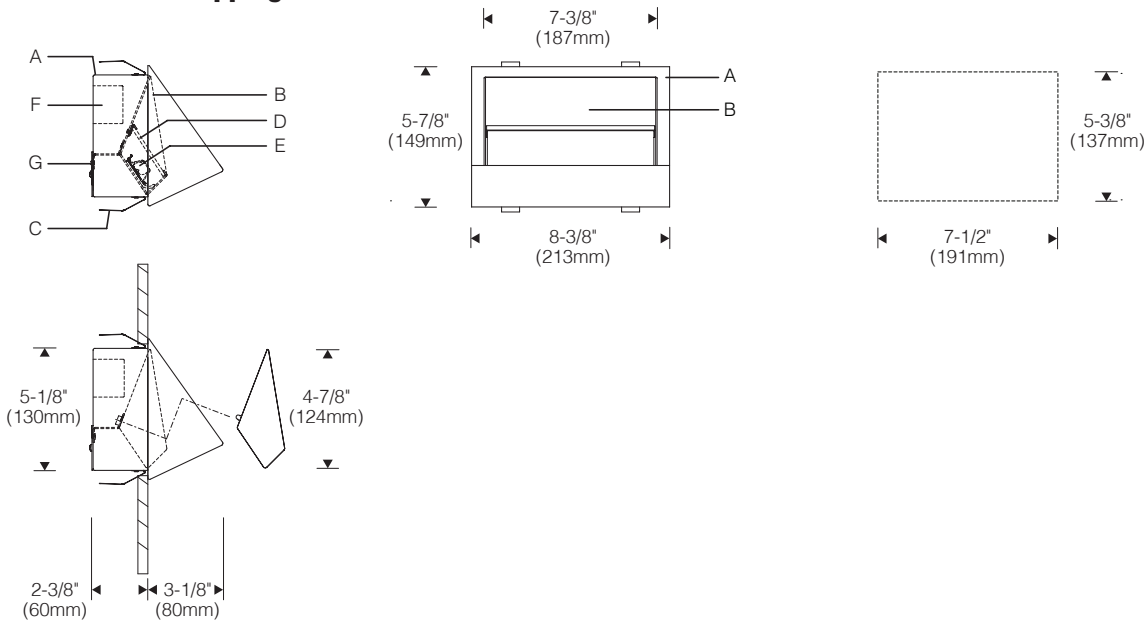


**T Mount: Overlapping Trim** 1:8 Scale



**Specifications**

- |  |  |   |   |
|--|--|---|---|
| <b>6</b> Aluminum back box/trim frame/cutoff visor | <b>8</b> Stainless steel mounting springs (4 included) | <b>:</b> Field serviceable light engine with asymmetric optic | <b>;</b> Integral constant current driver |
| <b>7</b> Removable aluminum heat sink/housing      | <b>9</b> Acrylic lens with elliptical diffusion        | <b>&lt;</b> Wiring access plate                               |   |

**Optical Assembly:**

Formed aluminum housing, back box and trim frame; stainless steel hardware and spring mounting clips. Extruded aluminum heat sink, Precision extruded polymer refractive lens with optimized asymmetric distribution. Light engine may be removed for service or upgrade. Acrylic lens with elliptical diffusion maximizes lateral distribution without disturbing asymmetric forward throw.

**Finish:**

Housing and back box/trim frame/cutoff visor finished in choice of matte or semigloss white. Painted surfaces – 6 stage pretreatment and electrostatically applied thermoset polyester powder coating for a durable abrasion, fade and corrosion resistant finish.

**Electrical:**

Use 90°C wire for supply connections. Integral electronic HPF constant current driver with quick connector. Access plate on rear of back box with two 1/2" knockouts for supply wiring. Internal splice compartment allows for access to splices behind wall. For complete driver specifications, see website, reference document [MA-1303](#).

**Mounting:**

Luminaire installs from outside finished wall – up to 1-1/2" (38mm) thick.

T mount provided with overlapping trim and spring clips.

Fixture weight: 2.2 lbs (1.0 kg).

**Standard:**

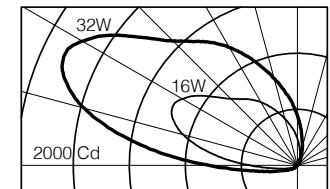
UL listed or CSA certified for dry locations. Suitable for insulated walls (Type IC). 5 year warranty, maximum ambient temperature 45°C (113°F).

**Features**

- Minimalistic silhouette focuses attention on the luminous ceiling, not the luminaire
- Less than 4 inch projection – ADA compliant
- Patented asymmetric optics ensure a uniform ceiling brightness
- Shallow recessed depth (2-3/8") fits into most walls

**Performance**

Precisely extruded acrylic lens produces an asymmetric distribution ideal for illuminating vertical surfaces evenly from top to bottom.



L90(10k) > 60,000 hrs. @ 25°C per TM-21

For LM79 and photometric reports, visit [thelightingquotient.com](http://thelightingquotient.com)



