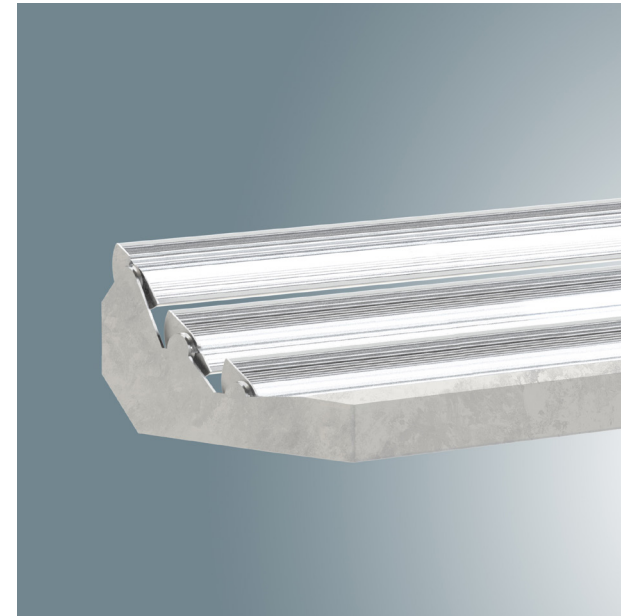
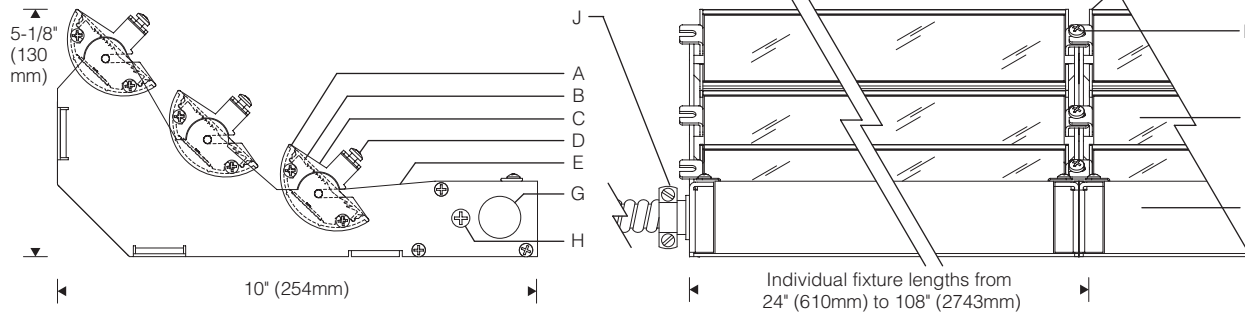
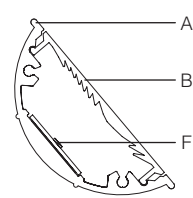


Style S318 1:4 Scale

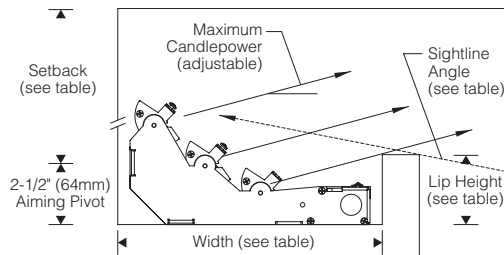


Optical Assembly

1:2 Scale



Cove 1:8 Scale



Cove Dimensions

(maximum candlepower aimed 15° above horizontal)

Sightline	0° (horiz. cutoff)	5°	10°
Width (inside)	19" (483mm)	14-1/4" (362mm)	11-1/4" (286mm)
Lip (inside)	5-1/8" (130mm)	3-7/8" (98mm)	3" (76mm)
Setback	Recommended minimum: 30" (762mm)		

CdiZ! Finish interior of cove matte white for best results.

Specifications

- 6 Serviceable extruded aluminum heat sink/housings
- 7 Extruded acrylic beam shaping lens
- 8 Stainless steel end plates with interlocking tabs
- 9 Rotation locking tab with locking set screw
- Aluminum side arm with adjustable mounting tab (fasteners by others)
- Constant current LED board
- Conduit entry (one each end, conduit and connections by others)
- Driver/housing joiner screw (one per fixture)
- Extruded aluminum driver housing and drivers
- Supply conduit and connectors by others

Housing and Optic Assembly:

Extruded aluminum heat sink/optic housing. Exterior heat sink anodized for maximum emissivity. Stainless steel end plates. Extruded acrylic refractive semi-diffuse asymmetric beam shaping lens. Extruded aluminum driver housing and removable cover.

Finish:

Optic assembly – bright anodized aluminum. Side arms and driver compartment – mill finish aluminum or painted semigloss white for natatorium option. Painted surfaces receive a 6-stage pretreatment process prior to electrostatically applied baked powder enamel. All hardware – stainless steel.

Mounting:

Lay-in installation, side arms with mounting tabs can be base or wall mounted (fasteners by others). Luminaires can be mounted individually or joined together to form a continuous row. Optical assembly aiming is adjustable and is fixed in position by rotation locking screws at each side arm. When

mounted in a continuous row, assemblies lock together allowing all in the row to be aimed together.

Fixture weight: 3.5 lb/ft (5.2 kg/m).

Electrical:

Use 90°C wire for supply connections. Integral electronic Class II drivers. For complete driver specifications, see website, reference document [MA-1303](#). Driver/wireway compartment includes one conduit entry at each end. Channel cover is removable for access to driver and wiring. Luminaires may be butted end-to-end (connectors by others) for through wiring. Optional #12 AWG prewired modular through wiring with quick connectors. Optional , compatible dimming controls (by others). See website for dimming compatibility and specifications.

Standard:

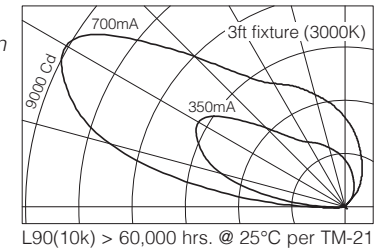
UL listed or CSA certified for damp locations. For natatorium use, specify **OP** or **PK** option. 5 year warranty, maximum ambient temperature 45°C (113°F).

Features

- Proprietary refractive lens technology
- Asymmetric distribution – uniform surface illumination
- Wide lateral distribution – no socket shadows
- Fully adjustable and lockable optic assemblies
- Integral driver with optional pre-wired harness

Performance

Precisely extruded acrylic lens produces an asymmetric distribution ideal for illuminating ceilings evenly.



L90(10k) > 60,000 hrs. @ 25°C per TM-21

For LM79 and photometric reports, visit thelightingquotient.com

