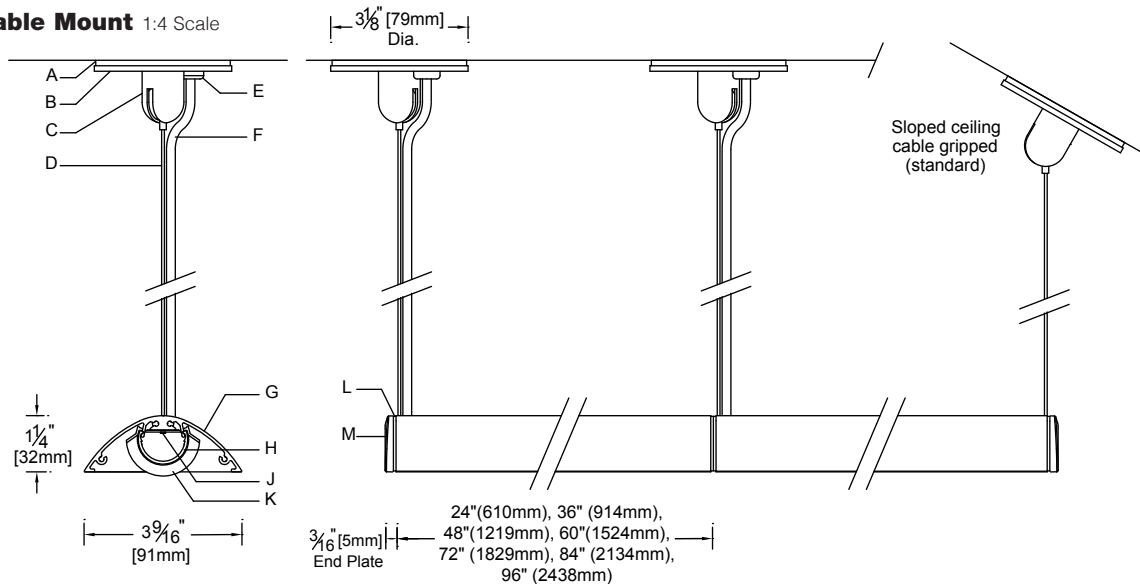


Cable Mount 1:4 Scale



Remote Driver(s) See remote LED driver document [MA-1357](#) for dimensions and wiring, mounting instructions.

Specifications

- | | | | |
|---|--|---|--|
| A 3" diameter aluminum mounting plate | D 7x7 Aircraft cable (96" standard) | G Extruded aluminum heat sink/housing | K Cross baffle - matte gray |
| B 3-1/16" diameter aluminum canopy plate | E Cord strain relief | H Extruded refractive optic - wide batwing | L Stamped aluminum reveal plate |
| C Adjustable cable gripper (swivel) | F Power cord (specify color) | J Dual-die midpower LED (specify CCT/CRI) | M Die cast aluminum end plate |

Housing and Optic Assembly:

Extruded aluminum heat sink / housing. Stamped aluminum reveal plates, machined aluminum or die cast aluminum decorative end plates.

Optics:

Precision extruded polymer refractive lens with bi-asymmetric distribution (low UGR).

Finish:

Painted surfaces receive 6-stage pretreatment and electrostatically-applied thermoset polyester powder-coating for a durable abrasion, fade and corrosion-resistant finish. All luminaire hardware is stainless steel; all mounting hardware is zinc- or cadmium-plated.

Mounting:

3" diameter flat aluminum mounting plate and canopy with 1/4"-20 stud for attachment of adjustable/swivel cable gripper. 1/16" diameter 7x7 aircraft cable, field adjustable length.

Fixture weight: 0.9 lbs/ft (1.3 kg/m)

Electrical:

Units are furnished with 10 foot (3048mm) leads for connection to remote driver Class II output. Remote electronic HPF thermally protected Class II driver mounted in aluminum enclosure. For complete driver specifications, see website, reference document [MA-1303](#). Optional, compatible dimming controls (by others). See website for dimming compatibility and specifications.

Standard:

CSA certified for dry location. 5-year warranty, maximum ambient temperature 45°C (113°F).

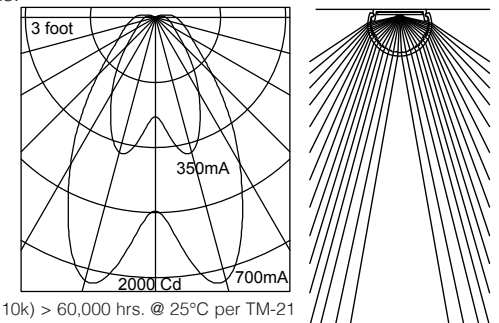
Features

- Bi-Asymmetric distribution for illuminating library stacks, grocery aisles and data centers
- Small profile 1-3/4" high x 3-9/16" wide
- Low brightness (UGR across=9.8, along=8.5)*
*Corrected UGR for X=4, Y=8, 70/50/20, S/H: 1, 3ft @700mA 3500K/80+CRI



Performance

Precisely extruded acrylic lens produces a bi-asymmetric distribution ideal for illuminating both vertical surfaces in grocery aisles, library stack aisles, archives or computer server farms.



L90(10k) > 60,000 hrs. @ 25°C per TM-21

For LM79 and photometric reports, visit thelightingquotient.com



