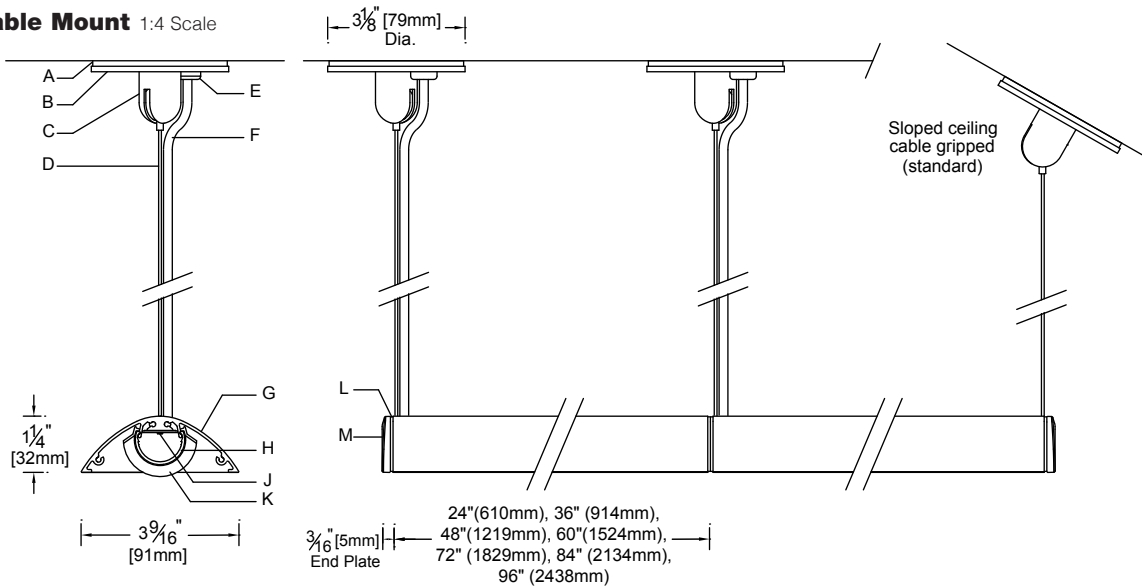


**Cable Mount** 1:4 Scale



**Remote Driver(s)** See remote LED driver document [MA-1357](#) for dimensions and wiring, mounting instructions

**Specifications**

- 6** 3" diameter aluminum mounting plate
- 7** 3-1/16" diameter aluminum canopy plate
- 8** Adjustable cable gripper (swivel)
- 9** 7x7 Aircraft cable (96" standard)
- : Cord strain relief
- ; Power cord (specify color)
- < Extruded aluminum heat sink/housing
- = Extruded refractive optic - wide batwing
- ? Dual-die midpower LED (specify CCT/CRI)
- @ Cross baffle - matte gray
- A** Stamped aluminum reveal plate
- B** Die cast aluminum end plate

**Housing and Optic Assembly:**

Extruded aluminum heat sink / housing. Stamped aluminum reveal plates, machined aluminum or die cast aluminum decorative end plates.

**Optics:**

Precision extruded polymer refractive lens with low brightness distribution (low UGR).

**Finish:**

Painted surfaces receive 6-stage pretreatment and electrostatically-applied thermoset polyester powder-coating for a durable abrasion, fade and corrosion-resistant finish. All luminaire hardware is stainless steel; all mounting hardware is zinc- or cadmium-plated.

**Mounting:**

3" diameter flat aluminum mounting plate and canopy with 1/4"-20 stud for attachment of adjustable/swivel cable gripper. 1/16" diameter 7x7 aircraft cable, field adjustable length.

Fixture weight: 0.9 lbs/ft (1.3 kg/m)

**Electrical:**

Units are furnished with 10 foot (3048mm) leads for connection to remote driver Class II output. Remote electronic HPF thermally protected Class II driver mounted in aluminum enclosure. For complete driver specifications, see website, reference document [MA-1303](#). Optional, compatible dimming controls (by others). See website for dimming compatibility and specifications.

**Standard:**

CSA certified for dry location. 5-year warranty, maximum ambient temperature 45°C (113°F).

**Features**

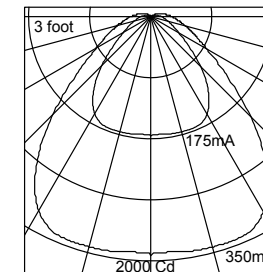
- Adl Vg\ icZhYdl ca\ iY hlgW i dc [dg\ ZcZg/a\aj b cVi dc
- Hb Vaiegd [x\& ( \$ ' ' ) \ ] m (! . \$ + ' ' ) YZ
- Adl U- G (VXgthh2&@# ZVdc\ 2. # t
- 90+CRI standard

\*8dggXIZY J < G [dgM2] ZN2- Z, %\$ %\$ %ZHS- &

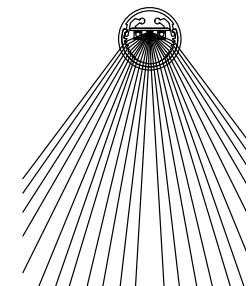


**Performance**

EgXhZanZnig YZY VXgnaZachegdyj XZhVi\ ] ian\ XdciglaZY Ydl ca\ ] iY hlgW i dc YZVa [dg] c [dgp ' l dg ea/cZ aj b cVcXZ I ] x\ b VciVc\ k hj VaXdb [dg i] gij \ ] \ a/g\ Xdcigla#



L90(10k) > 60,000 hrs. @ 25°C per TM-21



; dgAB, . VcYe] didb ZigX~ gZedghzk h^ thelightingquotient.com



