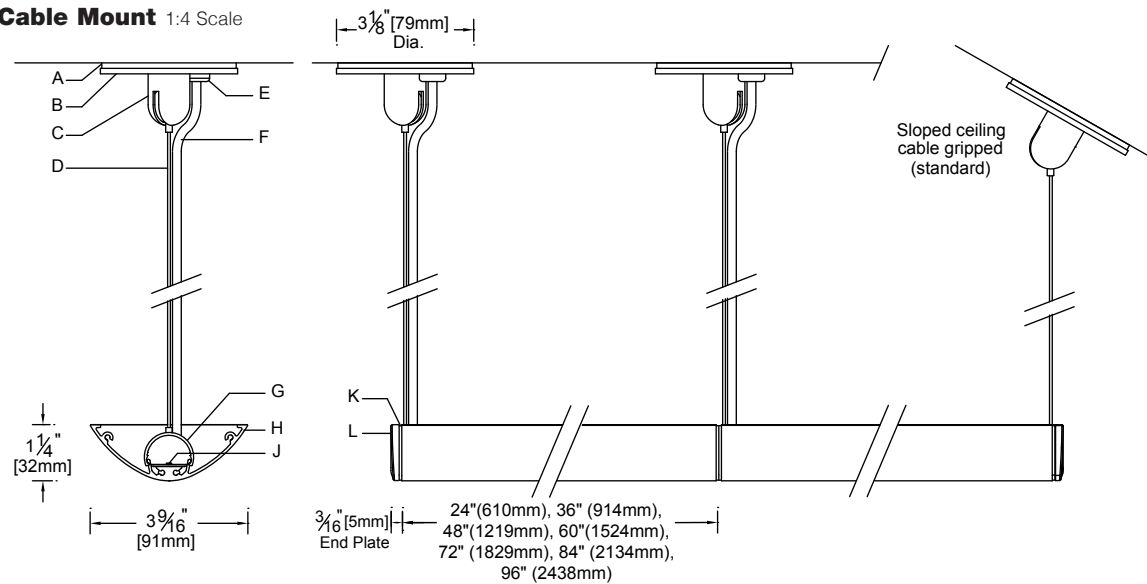


**Cable Mount** 1:4 Scale



**Remote Driver(s)** See remote LED driver document [MA-1357](#) for dimension and mounting instructions.

**Specifications**

- |   |  |  |                                      |
|---|--|--|--------------------------------------|
| <b>6</b> 3" diameter aluminum mounting plate    | <b>9</b> 7x7 Aircraft cable (96" standard) | < Extruded aluminum heat sink/housing      | @ Stamped aluminum reveal plate      |
| <b>7</b> 3-1/16" diameter aluminum canopy plate | : Cord strain relief                       | = Extruded refractive optic - wide batwing | <b>A</b> Die cast aluminum end plate |
| <b>8</b> Adjustable cable gripper (swivel)      | ; Power cord (specify color)               | ? Dual-die midpower LED (specify CCT/CRI)  |                                      |

**Features**

- Wide batwing upright distribution – uniform ceiling illumination
- Small profile 1-3/4" high x 3-9/16" wide
- Field adjustable aircraft cable with swivel gripper for horizontal or sloped ceilings



**Housing and Optic Assembly:**

Extruded aluminum heat sink / housing. Stamped aluminum reveal plates, machined aluminum or die cast aluminum decorative end plates.

**Optics:**

Precision extruded polymer refractive lens with wide batwing distribution.

**Finish:**

Painted surfaces receive 6-stage pretreatment and electrostatically-applied thermoset polyester powder-coating for a durable abrasion, fade- and corrosion-resistant finish. All luminaire hardware is stainless steel; all mounting hardware is zinc- or cadmium-plated.

**Dimensions:**

3" diameter flat aluminum mounting plate and canopy with 1/4"-20 stud for attachment of adjustable/swivel cable gripper. 1/16" diameter 7x7 aircraft cable, field adjustable length.

Fixture weight: 0.9 lbs/ft (1.3 kg/m)

**Electrical:**

Units are furnished with 10 foot (3048mm) leads for connection to remote driver Class II output. Remote electronic HPF thermally protected Class II driver mounted in aluminum enclosure. For complete driver specifications, see website, reference document [MA-1303](#). Optional, compatible dimming controls (by others). See website for dimming compatibility and specifications.

**Standard:**

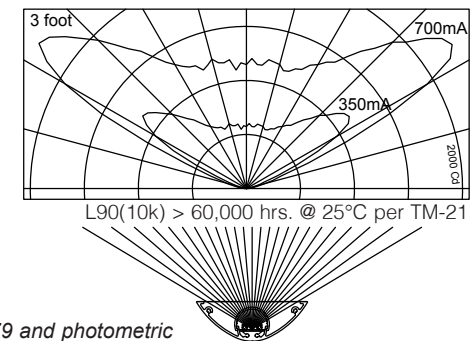
CSA certified for dry location. 5-year warranty, maximum ambient temperature 45°C (113°F).



Not all product variations listed on this page are DLC qualified. Visit [LiQ - DesignLights Consortium](#) to confirm qualification.

**Performance**

Precisely extruded acrylic lens produces a tightly-controlled downlight distribution ideal for uniform workplane illuminance while maintaining visual comfort through glare control.



For LM79 and photometric reports, visit [thelightingquotient.com](#)



