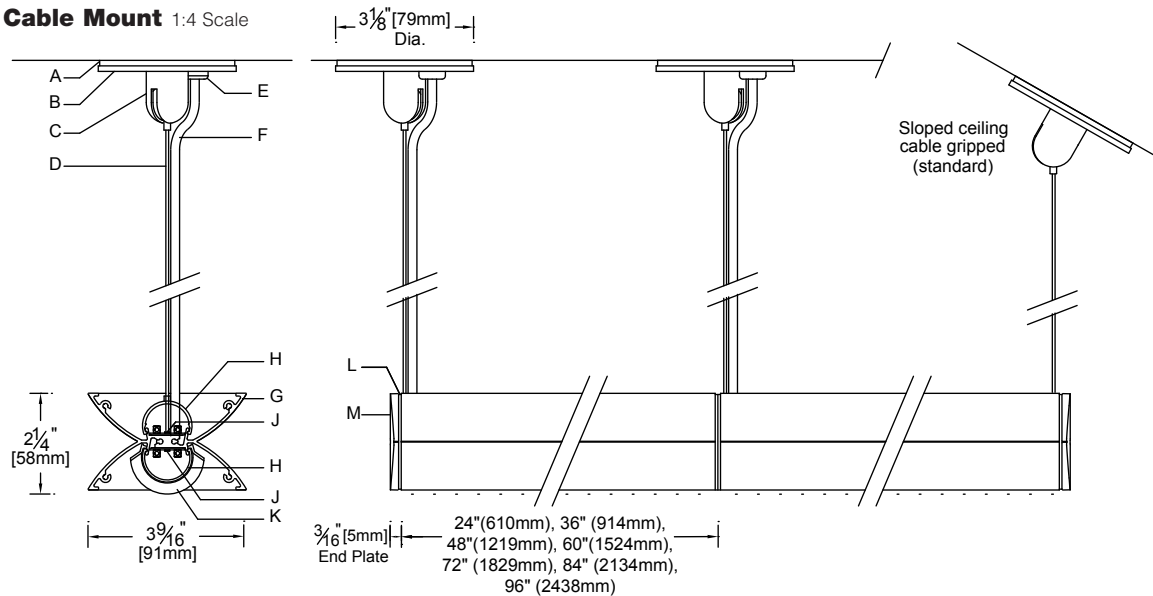


Cable Mount 1:4 Scale



Remote Driver(s) See remote LED driver document [MA-1357](#) for dimensions and wiring, mounting instructions.

Specifications

6 3" diameter aluminum mounting plate	9 7x7 Aircraft cable (96" standard)	< Extruded aluminum heat sink/housing	@ Cross baffle - matte gray
7 3-1/16" diameter aluminum canopy plate	: Cord strain relief	= Extruded refractive optic - wide batwing	A Stamped aluminum reveal plate
8 Adjustable cable gripper (swivel)	; Power cord (specify color)	? Dual-die midpower LED (specify CCT/CRI)	B Die cast aluminum end plate

Housing and Optic Assembly:

Extruded aluminum heat sink / housing. Stamped aluminum reveal plates, machined aluminum or die cast aluminum decorative end plates.

Optics:

Precision extruded polymer refractive lenses. Wide batwing uplight distribution with low brightness batwing downlight distribution (low UGR).

Finish:

Painted surfaces receive 6-stage pretreatment and electrostatically-applied thermoset polyester powder-coating for a durable abrasion, fade- and corrosion-resistant finish. All luminaire hardware is stainless steel; all mounting hardware is zinc- or cadmium-plated.

Mounting:

3" diameter flat aluminum mounting plate and canopy with 1/4"-20 stud for attachment of adjustable/swivel cable gripper. 1/16" diameter 7x7 aircraft cable, field adjustable length. Fixture weight: 0.9 lbs/ft (1.3 kg/m)

Electrical:

Units are furnished with 10 foot (3048mm) connection to remote driver Class II output. Remote electronic HPF thermally protected Class II driver mounted in aluminum enclosure. For complete driver specifications, see website, reference document [MA-1303](#). Optional, compatible dimming controls (by others). See website for dimming comp specifications.

Standard:

CSA certified for dry location. 5-year warra ambient temperature 45°C (113°F).



Not all product variations listed on this page are DLC qualified. Visit [LiQ - DesignLights Consortium](#) to confirm qualification.

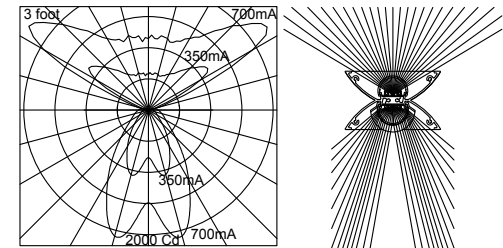
Features

- Wide batwing uplight distribution – uniform ceiling illumination
- Bi-Asymmetric distribution for illuminating library stacks, grocery aisles and data centers
- Small profile 2-1/4" high x 3-9/16" wide
- Field adjustable aircraft cable with swivel gripper for horizontal or sloped ceilings
- Low brightness (UGR across=9.8, along=8.5)*
*Corrected UGR for X=4, Y=8, 70/50/20, S/H:1, 3ft @700mA



Performance

Precisely extruded acrylic lens produces a tightly-controlled downlight distribution ideal for uniform workplane illuminance while maintaining visual comfort through glare control.

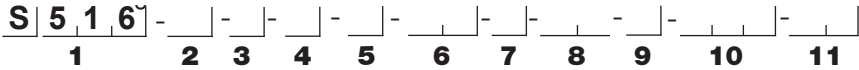


L90(10k) > 60,000 hrs. @ 25°C per TM-21

For LM79 and photometric reports, visit [thelightingquotient.com](#)



To form a Catalog Number



Project: _____

Type: _____

Style

S516 = Small linear direct/indirect with wide batwing upright and bi-asymmetric stack/aisle light with remote driver

2 Length

- 2 = 2 feet, 24" (610mm)
- 3 = 3 feet, 36" (914mm)
- 4 = 4 feet, 48" (1219mm)
- 5 = 5 feet, 60" (1524mm)
- 6 = 6 feet, 72" (1829mm)
- 7 = 7 feet, 84" (2134mm)
- 8 = 8 feet, 96" (2438mm)

See [Scaled Performance Table](#)

3 Indirect Output (uplight)

- L = Low output (3.3W per foot)
- S = Standard output (6.5W per foot)
- H = High output (13W per foot)

4 Direct Output (downlight)

- L = Low output (3.3W per foot)
- S = Standard output (6.5W per foot)
- H = High output (13W per foot)



5 Mounting

X = For use with **VHR** and **VHS** cable hangers accessories ordered and priced separately

6 Finish

- | | | |
|-----------------------------|--------------------------|--|
| 02 = Semigloss white | 13 = Matte Black* | 22 = Matte White* |
| 06 = Dark bronze* | 07 = Metallic* | PL = Platinum* |
| 08 = Semigloss black | 18 = Copper* | 99 = Custom or RAL, consult rep.* |

02	22*	PL*	07*	15*
08	13*	06*	18*	17*

* = non-cancellable/returnable

7 Voltage

- M = 120-277V Universal voltage input
- K = 347V input

8 Option

- 00 = No options
- 0B = Cross baffle, provides 25° lateral shielding
- 0M = For use in MRI medical facility. MRI filters required on output of each remote driver. Consult factory prior to specification.

9 Destination Requirement

- 0 = UL listed or CSA certified for U.S.
- J = UL listed or CSA certified for Canada

10 Color Temperature / CRI

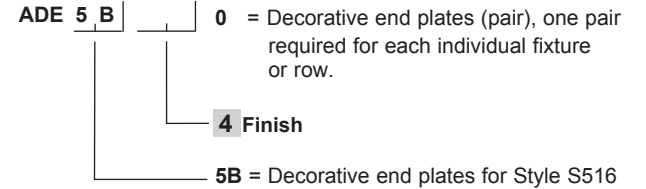
- | | | |
|-----------------------------|---------------------|--|
| 927 = 2700K, 90+ CRI | TWH = Tunable White | |
| 930 = 3000K, 90+ CRI | | |
| 935 = 3500K, 90+ CRI | RGB = Color tunable | |
| 940 = 4000K, 90+ CRI | | |

Note: Additional CCT and CRI options are available; consult factory.

11 Dimming

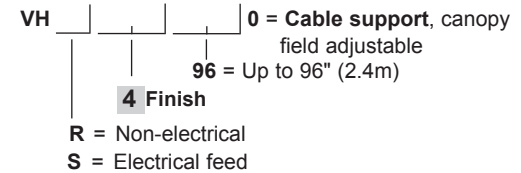
- 00 = Non-dimming
- ZX = 0-10V analog dimming 120-277V or 347V input, dimming 100%-1%, 0-10V controls by others
- EL = 0-10V eldoLED SOLOdrive, 120-277V input, dimming 100%-0.1%, 0-10V controls by others
- ED = DALI eldoLED SOLOdrive, 120-277V input, dimming 100%-0.1%, DALI controls by others
- TD = ERP forward or reverse phase 120V only, dimming 100%-6%, 120V phase controls by others
- DZ = TWH 2-Channel driver for use with (2) 0-10V controls by others
- DD = TWH 2-Channel DALI driver (DALI controls by others)
- DA = RGBW 4-Channel DMX module (DMX controls by others)
- DM = RGBW 4-Channel eldoLED LINEARdrive (DMX controls by others)

Required End Plates



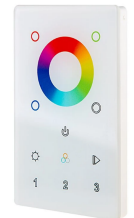
Required Mounting Hangers (X Mount)

Mounting hangers **VHR** and **VHS** are required mounting hangers for the X mount fixtures and are ordered and priced separately. See installation sheets on website. 4-wire cord allows separate feed of uplight and downlight.
Singles — order one non-electrical and one electrical feed hanger for each luminaire.
Rows — order one feed hanger for each luminaire in the row and one non-electrical for end of row.



Controls

AWB-TP-DMX-0 = RGBW LED dimmer switch fits in a standard wall switch box and provides on/off control as well as fixed levels of dimmability. The dimmer switch has a color-selection wheel for thousands of color options, 10 dynamic color-changing/single color modes, 0-100% dimming, on/off controls, and 4 color-specific channel controls for red, green, blue, and white.



Additional Wired and wireless controls available, see [Driver and Controls Information](#)

Not all product variations listed on this page are DLC qualified. Visit [LiQ - DesignLights Consortium](#) to confirm qualification.

