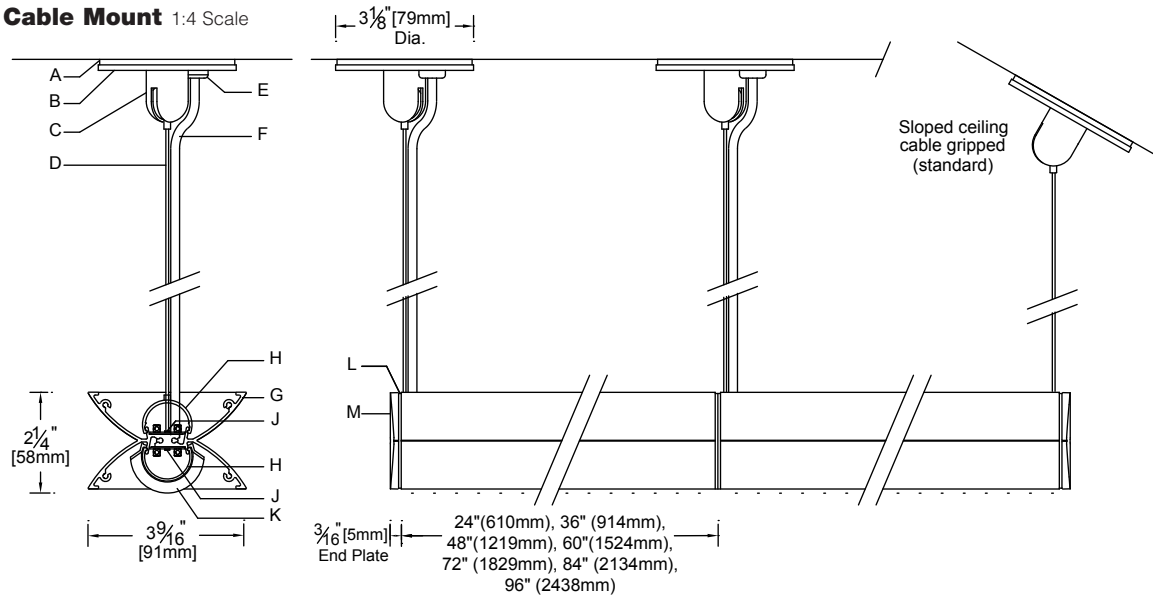


Cable Mount 1:4 Scale



**Remote Driver(s)** See remote LED driver document [MA-1357](#) for dimensions and wiring, mounting instructions.

Specifications

- |   |  |   |  |
|---|--|---|--|
| <b>A</b> 3" diameter aluminum mounting plate    | <b>D</b> 7x7 Aircraft cable (96" standard) | <b>G</b> Extruded aluminum heat sink/housing      | <b>K</b> Cross baffle - matte gray     |
| <b>B</b> 3-1/16" diameter aluminum canopy plate | <b>E</b> Cord strain relief                | <b>H</b> Extruded refractive optic - wide batwing | <b>L</b> Stamped aluminum reveal plate |
| <b>C</b> Adjustable cable gripper (swivel)      | <b>F</b> Power cord (specify color)        | <b>J</b> Dual-die midpower LED (specify CCT/CRI)  | <b>M</b> Die cast aluminum end plate   |

**Housing and Optic Assembly:**

Extruded aluminum heat sink / housing. Stamped aluminum reveal plates, machined aluminum or die cast aluminum decorative end plates.

**Optics:**

Precision extruded polymer refractive lenses. Wide batwing uplight distribution with low brightness downlight distribution (low UGR).

**Finish:**

Painted surfaces receive 6-stage pretreatment and electrostatically-applied thermoset polyester powder-coating for a durable abrasion, fade- and corrosion-resistant finish. All luminaire hardware is stainless steel; all mounting hardware is zinc- or cadmium-plated.

**Mounting:**

3" diameter flat aluminum mounting plate and canopy with 1/4"-20 stud for attachment of adjustable/swivel cable gripper. 1/16" diameter 7x7 aircraft cable, field adjustable length.

Fixture weight: 0.9 lbs/ft (1.3 kg/m)

**Electrical:**

Units are furnished with 10 foot (3048mm) leads for connection to remote driver Class II output. Remote electronic HPF thermally protected Class II driver mounted in aluminum enclosure. For complete driver specifications, see website, reference document [MA-1303](#). Optional, compatible dimming controls (by others). See website for dimming compatibility and specifications.

**Standard:**

CSA certified for dry location. 5-year warranty, maximum ambient temperature 45°C (113°F).



Not all product variations listed on this page are DLC qualified. Visit [LiQ - DesignLights Consortium](#) to confirm qualification.

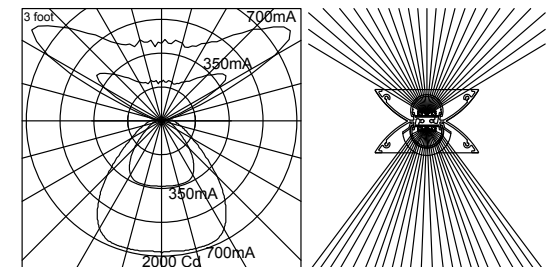
Features

- Wide batwing uplight distribution – uniform ceiling illumination
- Low brightness downlight distribution for general illumination
- Small profile 2-1/4" high x 3-9/16" wide
- Field adjustable aircraft cable with swivel gripper for horizontal or sloped ceilings
- Low UGR (across=10.5, along=9.3)\*

\*Corrected UGR for X=4, Y=8, 70/50/20, S/H:1, 3ft @700mA 3500K/80+CRI

Performance

Precisely extruded acrylic lens produces a tightly-controlled downlight distribution ideal for uniform workplane illuminance while maintaining visual comfort through glare control.



L90(10k) > 60,000 hrs. @ 25°C per TM-21

For LM79 and photometric reports, visit [thelightingquotient.com](#)



