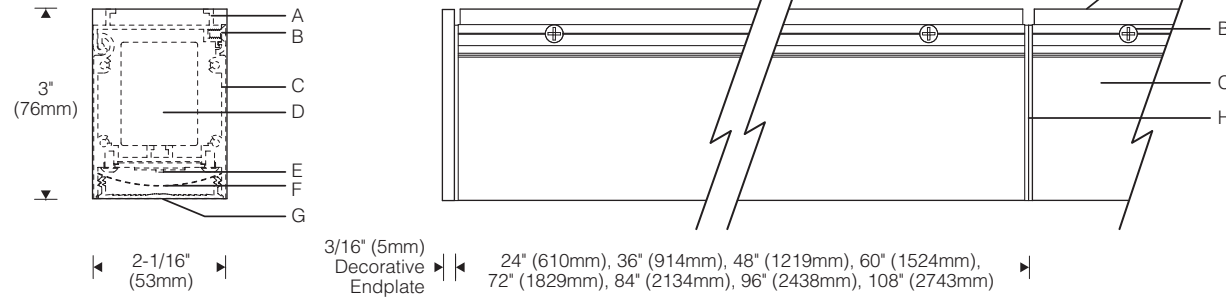
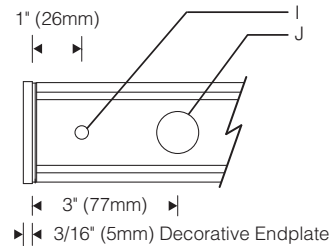


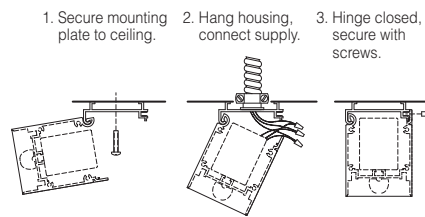
Style S530 1:3 Scale



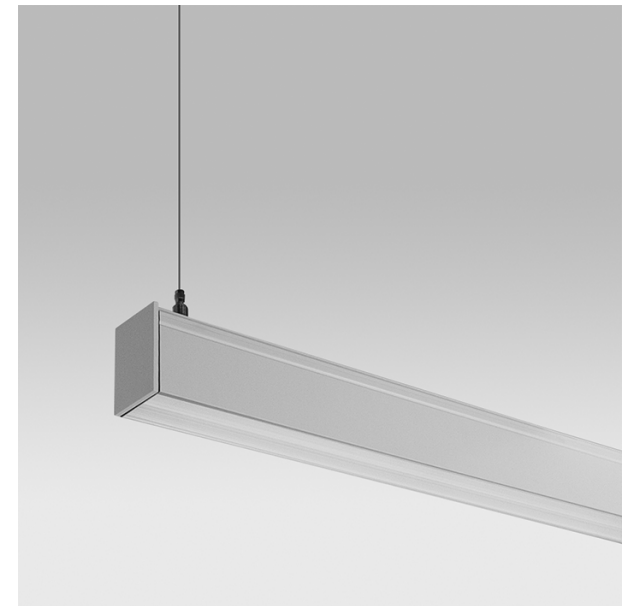
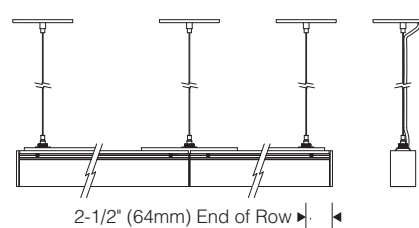
Top View 1:4 Scale, S Mount



Surface Mount 1:2 Scale



Cable Mount 1:16 Scale



Specifications

- | | | | |
|---|---|--|--|
| A Extruded aluminum mounting plate | D High efficiency constant current electronic driver | G Snap-in bi-asymmetric acrylic lens; one-way lens optional | I Mounting hole, (3) 9/32" (7mm) diameter |
| B Closure screws | E LED light engine | H Aluminum reveal plate | J Knockout, (2) 7/8" (22mm) diameter |
| C Extruded aluminum housing | F Holographic diffuser | | |

Finish:

Painted surfaces – 6 stage pretreatment and electrostatically applied thermoset powder coat for stable, long lasting and corrosion resistant finish. Extruded aluminum mounting plate, housing, aluminum reveal plates. Housing and internal end plates – extruded high purity aluminum with clear anodized specular finish. All luminaire hardware is stainless steel; all mounting hardware is zinc or cadmium plated.

Optic Assembly:

Light engine – extruded aluminum heat sink with LED PCB. Multiple mid-power LEDs are tightly spaced to minimize pixilation. Light engines are removable for replacement or upgrade in one-foot increments. Precision extruded optical lens of high temperature water-clear acrylic. Elliptical distribution holographic diffuser maximizes lateral distribution without sacrificing bi-asymmetric throw.

Mounting:

S mount – mounting plate fastens flush to ceiling. Unit hinges on plate for hands-free access to wiring.

X mount – cables or pendant stem ordered separately. Pendant stem – 11/16" O.D. aluminum, internally threaded.

5" dia. aluminum canopy. Cable – 1/16" dia. 7x7 aircraft cable, field adjustable length. Crossbar with 1/4-20 stud and 5" dia. canopy. For shelf supported bridge or cantilever, consult factory.

Electrical:

Use 90°C wire for supply connections. Integral electronic HPF thermally protected Class II driver. For complete driver specifications, see website, reference document MA-1303. Driver/wireway compartment includes one conduit entry at each end. Channel cover removes for access to driver and wiring. Luminaires may be butted end-to-end (connectors by others) for through wiring. Optional #12 AWG prewired modular through wiring with quick connectors. Optional electronic dimming driver; compatible dimming controls (by others). See website for dimming compatibility and specifications.

Standard:

UL listed or CSA certified for dry location. 5 year warranty, maximum ambient temperature 45°C (113°F).

Features

- Compact size with integral driver
- Bi-asymmetric distribution – evenly light both sides of aisle
- Light engines serviceable in one-foot increments
- Optional one-way lens for asymmetric illumination at end of row

Performance

Precisely extruded acrylic lens produces a bi-asymmetric distribution ideal for illuminating both vertical surfaces in grocery aisles, library stack aisles, archives or computer server farms.

