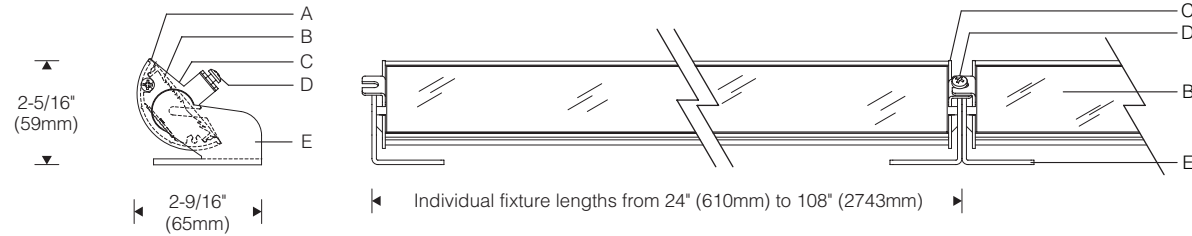
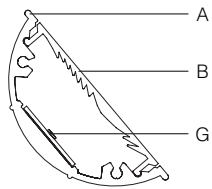


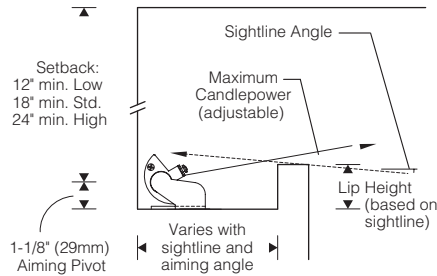
Style S314 1:4 Scale



Optical Assembly 1:2 Scale



Cove 1:8 Scale



Remote Driver
See remote LED driver document [MA-1357](#) for dimensions and wiring, mounting instructions.



Specifications

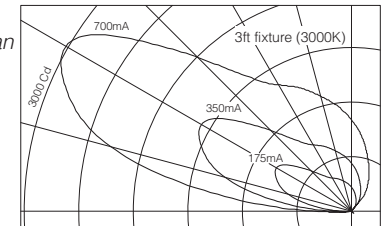
- A** Serviceable extruded aluminum heat sink/housing
- B** Extruded acrylic beam shaping lens
- C** Stainless steel end plates with interlocking tabs
- D** Rotation locking tab with locking set screw
- E** L-shaped mounting feet, one pair per optical assembly (fasteners by others)
- G** Constant current LED board

Features

- Tunable White Now Available!
- Asymmetric distribution – uniform surface illumination
- Wide lateral distribution – no socket shadows
- Fully adjustable and lockable optic assembly
- Remote driver – ideal for MRI applications or where access to fixture is difficult

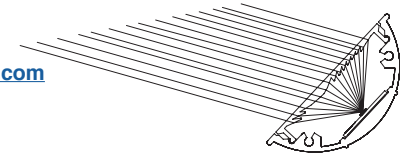
Performance

Precisely extruded acrylic lens produces an asymmetric distribution ideal for illuminating ceilings evenly.



L90(10k) > 60,000 hrs. @ 25°C per TM-21

For LM79 and photometric reports, visit thelightingquotient.com



Optic Assembly:

Extruded aluminum heat sink/optic housing. Exterior heat sink anodized for maximum emissivity. Stainless steel end plates. Extruded acrylic refractive semi-diffuse asymmetric beam shaping lens.

Finish:

Optic assembly – bright anodized aluminum. Mounting feet – mill finish aluminum or painted semigloss white for natatorium option. Painted surfaces receive a 6-stage pretreatment process prior to electrostatically applied baked powder enamel. All hardware – stainless steel.

Mounting:

Lay-in installation, side arms with mounting tabs can be base or wall mounted (fasteners by others). Luminaires can be mounted individually or joined together to form a continuous row. Optical assembly aiming is adjustable and is fixed in position by rotation locking screws at each side arm. When mounted in a continuous row, assemblies lock together allowing all in the row to be aimed together.

Fixture weight: 1.0 lb/ft (1.5 kg/m).

Electrical:

Use 90°C wire for supply connections. 5' (1.5m) wire leads exit center of the housing.

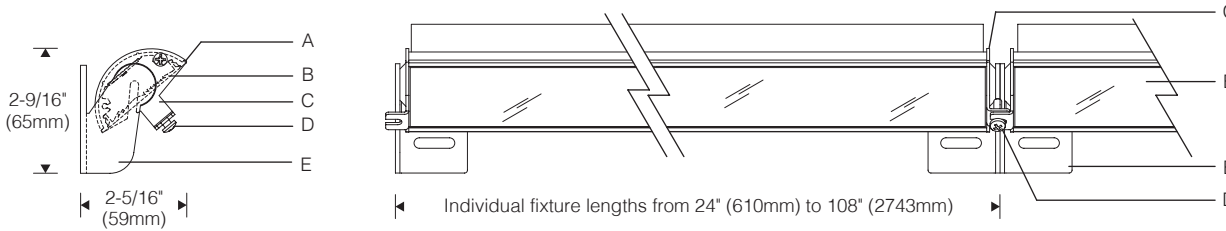
Remote electronic Class II constant current high power factor drivers. Number of drivers varies by length and dimming type; consult factory. For complete driver specifications, see website, reference document [MA-1303](#). Aluminum driver enclosure includes (8) 7/8" dia. entries for supply wiring and low voltage receptacle(s) for connection to luminaire. Optional, compatible dimming controls (by others). Maximum wire length between electronic driver and fixture varies by manufacturer. See website for dimming compatibility and specifications.

Standard:

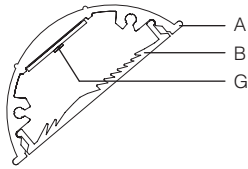
UL listed or CSA certified for damp locations. For natatorium use, specify **OP** option. 5 year warranty, maximum ambient temperature 45°C (113°F).



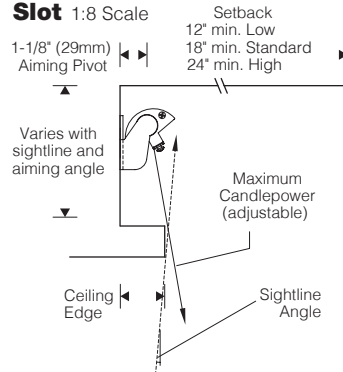
Style S314 1:4 Scale



Optical Assembly 1:2 Scale



Slot 1:8 Scale



Remote Driver

See remote LED driver document [MA-1357](#) for dimensions and wiring, mounting instructions.



Specifications

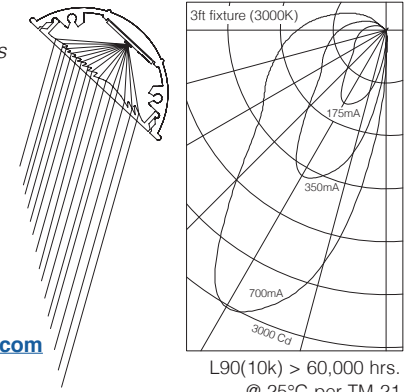
- A** Serviceable extruded aluminum heat sink/housing
- B** Extruded acrylic beam shaping lens
- C** Stainless steel end plates with interlocking tabs
- D** Rotation locking tab with locking set screw
- E** L-shaped mounting feet, one pair per optical assembly (fasteners by others)
- G** Constant current LED board

Features

- Tunable White Now Available!
- Asymmetric distribution – uniform surface illumination
- Wide lateral distribution – no socket shadows
- Fully adjustable and lockable optic assembly
- Remote driver – ideal for MRI applications or where access to fixture is difficult

Performance

Precisely extruded acrylic lens produces an asymmetric distribution ideal for illuminating walls evenly.



For LM79 and photometric reports, visit thelightingquotient.com

Optic Assembly:

Extruded aluminum heat sink/optic housing. Exterior heat sink anodized for maximum emissivity. Stainless steel end plates. Extruded acrylic refractive semi-diffuse asymmetric beam shaping lens.

Finish:

Optic assembly – bright anodized aluminum. Mounting feet – mill finish aluminum or painted semigloss white for natatorium option. Painted surfaces receive a 6-stage pretreatment process prior to electrostatically applied baked powder enamel. All hardware – stainless steel.

Mounting:

Side arms with mounting tabs can be wall or ceiling mounted (fasteners by others). Luminaires can be mounted individually or joined together to form a continuous row. Optical assembly aiming is adjustable and is fixed in position by rotation locking screws at each side arm. When mounted in a continuous row, assemblies lock together allowing all in the row to be aimed together.

Fixture weight: 1.0 lb/ft (1.5 kg/m).

Electrical:

Use 90°C wire for supply connections. 5' (1.5m) wire leads exit center of the housing.

Remote electronic Class II constant current high power factor drivers. Number of drivers varies by length and dimming type; consult factory. For complete driver specifications, see website, reference document [MA-1303](#). Aluminum driver enclosure includes (8) 7/8" dia. entries for supply wiring and low voltage receptacle(s) for connection to luminaire. Optional, compatible dimming controls (by others). Maximum wire length between electronic driver and fixture varies by manufacturer. See website for dimming compatibility and specifications.

Standard:

UL listed or CSA certified for damp locations. For natatorium use, specify **OP** option. 5 year warranty, maximum ambient temperature 45°C (113°F).



